

# UBX-330M

## Intelligent Edge Computer with Intel Core Ultra 7, Core Ultra 5 Processor



### Features

- Powered by Intel Core Ultra 7 / Ultra 5 processors
- Equipped with three AI engines for low-latency, fast response
- Offers flexible and versatile I/O expansion
- Compact NUC-sized cubic form factor
- Includes Intel Arc graphics and vPro Enterprise on select SKUs
- Supports advanced backup and disaster recovery technology\*
- Supports AI modules through M.2 expansion, delivering efficient edge AI inference
- Efficient thermal dissipation solution with a quiet acoustic design
- Offers a versatile mounting kit compatible with VESA, wall mount, pole mount, DIN rail, and ARM mount options
- Includes a dedicated power adapter bracket for improved cable management

### Introduction

The UBX-330M is a NUC-sized Edge Intelligent Computer, powered by Intel Core Ultra 7/5 processors and three AI engines for low-latency, real-time processing. With flexible I/O expansion, Intel Arc graphics, and vPro Enterprise security (select SKUs), it ensures seamless connectivity and enterprise-grade protection. Built for reliability, advanced backup and recovery features enable real-time data replication, secure snapshots, and failover support, minimizing downtime in critical applications. Compact yet powerful, UBX-330M delivers top-tier performance, adaptability, and data resilience for intelligent city services and AI-driven workloads.

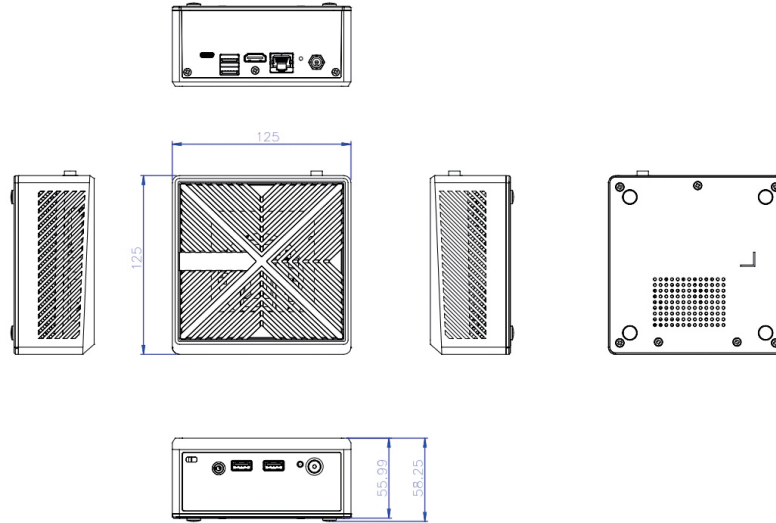
### Specifications

Model No.		UBX-330M
Processor		Core Ultra 5 125H Core Ultra 5 135U Core Ultra 7 155U
Graphic Engine		125H: Intel Arc graphics 135U/155U: Intel graphics
TPM		TPM 2.0 chip
Memory		DDR5-SODIMM *1, up to 48G
Storage		M.2 2280 B+M Key *1, supports NVMe, SATA SSD and Apacer CoreSnapshot Quick Backup SSD*
Front I/O	USB	USB Type A 2.0 *2
	Audio	Mic-in/Line-out Combo Audio *1
	Button	Power Pushbutton *1
	LED	Storage Indicator *1
	Kensington Lock	Kensington Lock *1
Rear I/O	USB	USB 3.2 *2
	Video	USB-C *1, supports DisplayPort protocols and 10W power delivery HDMI 2.1 *1
	LAN	LAN *1, up to 2.5 Gbps
	Button	System Recovery Button *1 (Equipped with Apacer CoreSnapShot Quick Backup SSD)
	Power	DC 12V Power Jack w/ Lock *1
WiFi		M.2 2230 E Key *1
Expansion		<ul style="list-style-type: none"> <li>▪ UBX-300E-CM00: <ul style="list-style-type: none"> <li>- COM *2, supports RS232 only</li> <li>- LAN *1, supports up to 2.5 Gbps</li> </ul> </li> <li>▪ UBX-300E-SA00: <ul style="list-style-type: none"> <li>- 2.5" SATA Storage *1</li> </ul> </li> <li>▪ UBX-300E-TE00: <ul style="list-style-type: none"> <li>- M.2 3052 B Key *1</li> <li>- SIM Slots *1</li> <li>- Antenna *4</li> </ul> </li> </ul>
	Intel vPro	125H/155U: Intel vPro Essential 135U: Intel vPro Enterprise
	Operating System	Windows 10 LTSC 21H2 Windows 11 LTSC 24H2 Ubuntu 24.04
Environment	Operating Temperature	0 ~ 40 °C
	Storage Temperature	-20 ~ 60 °C
Physical	Dimensions (W x D x H)	125 x 125 x 58.25 mm
	Weight	NW: 0.8 Kg
Software	SUSI, DeviceOn	
Certificate		CE, FCC Class B, CCC, BSMI, UL, CB, EN 62368, ErP, RF RED

Note: Apacer CoreSnapshot Quick Backup function requires a designated SSD. Please refer to the optional accessories list for more details.

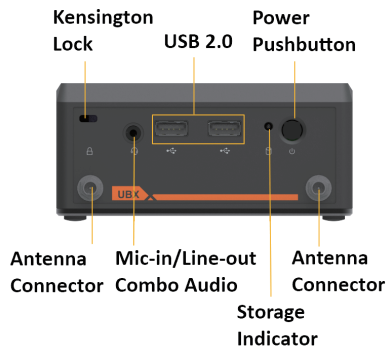
## Dimensions

Unit: mm

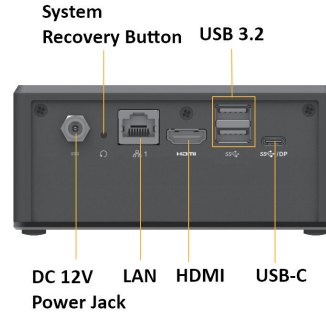


## I/O Interface

### Front View



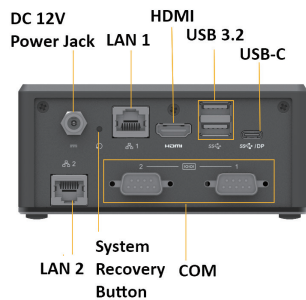
### Rear View



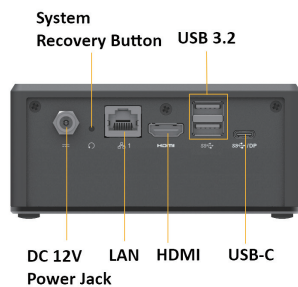
Note: Antenna connectors are available for the UBX-330M with UBX-330M-TE00 expansion SKU.

### Optional I/O

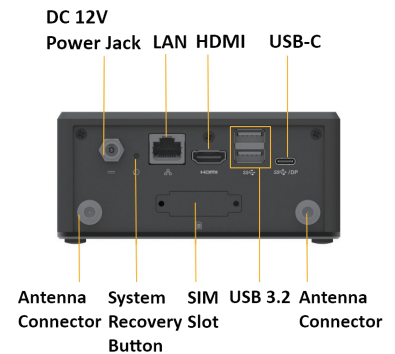
#### UBX-300E-CM00



#### UBX-300E-SA00



#### UBX-300E-TE00



## Ordering information

Part Number	Description
UBX-330M-BI5H0	UBX-330M, Core Ultra 5 125H, Barebone
UBX-330M-BI5U0	UBX-330M, Core Ultra 5 135U, Barebone
UBX-330M-BI7U0	UBX-330M, Core Ultra 7 155U, Barebone

## UBX-330M barebone Package Content

PN	Description
-	1x UBX-330M Edge Intelligent Computer
96PSA-A84W12W7-4	1x 84W power adapter
1990041769N000	1x thermal pad for memory
1990041770N000	1x thermal pad for M.2 2280 SSD

## Optional Accessories

Product	P/N	Usage	Description
Expansion I/O	UBX-300E-CM00	1	UBX-330M, COM x2 and RJ45 2.5G x1 expansion kit
	UBX-300E-SA00	1	UBX-330M, 2.5" storage expansion kit
	UBX-300E-TE00	1	UBX-330M, Telecommunication expansion kit
Peripheral	UBX-300P-W00E	1	UBX-330M, WiFi6/BT (EWM-W179)* installation kit
	UBX-300P-W01E	1	UBX-330M, WiFi6/BT (EWM-W165)** installation kit
	UBX-300P-NR00	1	UBX-330M, 5G module installation kit, Global band
	UBX-300P-AI00	1	UBX-330M, Hailo-8 AI module installation kit
	UBX-300P-AD00	1	UBX-330M, expansion mounting kit
Memory	SQR-SD5N8G5K6HNGAG	1	262pin SODIMM DDR5 5600 8GB 1.1v 1Gx16(0-95) Hynix A die
	SQR-SD5N16G5K6HNAG	1	262pin SODIMM DDR5 5600 16GB 1.1v 2Gx8(0-95) Hynix A die
	SQR-SD5N32G5K6HNAG	1	262pin SODIMM DDR5 5600 32GB 1.1v 2Gx8(0-95) Hynix A die
	SQF-C8MV2-256GDEFM	1	SQF PCIe/NVMe Gen.4 M.2 2280 OPAL 730-D 256G 3D TLC BiCS5 (-20-85°C)
M.2 2280 NVMe Storage	SQF-C8MV2-512GDEFM	1	SQF PCIe/NVMe Gen.4 M.2 2280 OPAL 730-D 512G 3D TLC BiCS5 (-20-85°C)
	SQF-C8MV4-1TDEFM	1	SQF PCIe/NVMe Gen.4 M.2 2280 OPAL 730-D 1T 3D TLC BiCS5 (-20-85°C)
	SQF-C8MV4-2TDEFM	1	SQF PCIe/NVMe Gen.4 M.2 2280 OPAL 730-D 2T 3D TLC BiCS5 (-20-85°C)
	SQF-C8MV4-4TDEFM	1	SQF PCIe/NVMe Gen.4 M.2 2280 OPAL 730-D 4T 3D TLC BiCS5 (-20-85°C)
	SQF-C8MV2-256GDEFE	1	SQF PCIe/NVMe Gen.4 M.2 2280 OPAL 730-D 256G 3D TLC BiCS5 (-40-85°C)
	SQF-C8MV2-512GDEFE	1	SQF PCIe/NVMe Gen.4 M.2 2280 OPAL 730-D 512G 3D TLC BiCS5 (-40-85°C)
	SQF-C8MV4-1TDEFE	1	SQF PCIe/NVMe Gen.4 M.2 2280 OPAL 730-D 1T 3D TLC BiCS5 (-40-85°C)
	SQF-C8MV4-2TDEFE	1	SQF PCIe/NVMe Gen.4 M.2 2280 OPAL 730-D 2T 3D TLC BiCS5 (-40-85°C)
	SQF-C8MV4-4TDEFE	1	SQF PCIe/NVMe Gen.4 M.2 2280 OPAL 730-D 4T 3D TLC BiCS5 (-40-85°C)
	SQF-C8MV2-256GDSDM	1	SQF M.2 2280 SSD 650 256G 3D BiCS5 (-20-85°C)
M.2 2280 SATA Storage	SQF-S8BV1-128GDSDM	1	SQF M.2 2280 SSD 650 128G 3D BiCS5 (-20-85°C)
	SQF-S8BV1-256GDSDM	1	SQF M.2 2280 SSD 650 256G 3D BiCS5 (-20-85°C)
	SQF-S8BV2-512GDSDM	1	SQF M.2 2280 SSD 650 512G 3D BiCS5 (-20-85°C)
	SQF-S8BV4-1TDSM	1	SQF M.2 2280 SSD 650 1TB 3D BiCS5 (-20-85°C)
	SQF-S8BV4-2TDSM	1	SQF M.2 2280 SSD 650 2TB 3D BiCS5 (-20-85°C)
	XUBX-SV250-120G	1	M.2 2280 SATA 120GB CoreSnapshot Quick Backup
	XUBX-SV250-240G	1	M.2 2280 SATA 240GB CoreSnapshot Quick Backup
	SQF-S8BV1-64GDSDM	1	SQF M.2 2280 SSD 650 64G 3D BiCS5 (-40-85°C)
	SQF-S8BV1-128GDSDE	1	SQF M.2 2280 SSD 650 128G 3D BiCS5 (-40-85°C)
	SQF-S8BV1-256GDSDE	1	SQF M.2 2280 SSD 650 256G 3D BiCS5 (-40-85°C)
	SQF-S8BV2-512GDSDE	1	SQF M.2 2280 SSD 650 512G 3D BiCS5 (-40-85°C)
	SQF-S8BV4-1TDSDE	1	SQF M.2 2280 SSD 650 1TB 3D BiCS5 (-40-85°C)
	SQF-S8BV4-2TDSDE	1	SQF M.2 2280 SSD 650 2TB 3D BiCS5 (-40-85°C)
2.5" SATA Storage	SQF-S25V1-64GDSDM	1	SQF 2.5" SATA SSD 650-D 64G 3D TLC (BiCS5) (-20-85°C)
	SQF-S25V1-128GDSDM	1	SQF 2.5" SATA SSD 650-D 128G 3D TLC (BiCS5) (-20-85°C)
	SQF-S25V1-256GDSDM	1	SQF 2.5" SATA SSD 650-D 256G 3D TLC (BiCS5) (-20-85°C)
	SQF-S25V2-512GDSDM	1	SQF 2.5" SATA SSD 650-D 512G 3D TLC (BiCS5) (-20-85°C)
	SQF-S25V4-1TDSM	1	SQF 2.5" SATA SSD 650-D 1T 3D TLC (BiCS5) (-20-85°C)
	SQF-S25V4-2TDSM	1	SQF 2.5" SATA SSD 650-D 2T 3D TLC (BiCS5) (-20-85°C)
	SQF-S25V1-64GDSDE	1	SQF 2.5" SATA SSD 650-D 64G 3D TLC (BiCS5) (-40-85°C)
	SQF-S25V1-128GDSDE	1	SQF 2.5" SATA SSD 650-D 128G 3D TLC (BiCS5) (-40-85°C)
	SQF-S25V1-256GDSDE	1	SQF 2.5" SATA SSD 650-D 256G 3D TLC (BiCS5) (-40-85°C)
	SQF-S25V2-512GDSDE	1	SQF 2.5" SATA SSD 650-D 512G 3D TLC (BiCS5) (-40-85°C)
	SQF-S25V4-1TDSDE	1	SQF 2.5" SATA SSD 650-D 1T 3D TLC (BiCS5) (-40-85°C)
SQF-S25V4-2TDSDE	1	SQF 2.5" SATA SSD 650-D 2T 3D TLC (BiCS5) (-40-85°C)	
Power Cord	1702002600	1	Power Cord UL 3P 10A 125V 183cm
	1700018705	1	Power Cord EU 3P 10A 250V 183cm 180°
	1700000596-11	1	Power Cord CCC 3P 10A 250V 183cm
	1700001714	1	Power Cord BSMI 3P 7A 125V 183cm
	1700018704	1	Power Cord BSI 3P 10A 250V 180cm (UK)
	1700000237	1	Power Cord PSE 3P 12A 125V 183cm
Operating System	20708WX1VS0042	1	Img WIN10 LTSC 2021-VLE UBX-330M V1.01 7MUI x64 (For Core i5)
	20708WX1HS0029	1	Img WIN10 LTSC 2021-HLE UBX-330M V1.01 7MUI x64 (For Core i7)
	20708WLV1S0013	1	WIN11 LTSC_24H2_VLE UBX-330M(i3i5) V1.01 7MUI (For Core i5)
	20708WLH1S0007	1	WIN11 LTSC_24H2_HLE UBX-330M(i7) V1.00 7MUI (For Core i7)
	20708U24DS0001	1	UBX-330M Ubuntu 24.04 V1.0.1

\*The module is suitable for operation within an ambient temperature range of 0°C to 40°C with airflow 0.7m/s.

\*\*The module has not been certified under the European RED regulations.

# DeviceOn/iService

## Unified Remote Device Management Software



### Features

- Supports Advantech devices equipped with Windows, Android, and Linux OS
- Flexible device, location, user, and permissions management
- Enables remote monitoring and control of hardware, software, and peripherals
- Supports over-the-air (OTA) firmware and software updates
- Ensures quick, easy, and secure device onboarding
- RESTful APIs for third-party system integration

### Introduction

Advantech's DeviceOn/iService is a next-generation unified device management solution based on the WISE-DeviceOn platform. Designed to enable centralized monitoring and remote management, DeviceOn/iService supports Advantech devices equipped with Windows, Linux, or Android operating systems. The software also supports the management of applications and integrated peripherals, such as a barcode scanner, card reader, camera, and printer. Users can remotely access and control connected devices, take screenshots, rollout OTA upgrades, and use remote desktop capabilities for troubleshooting from any location at any time. Moreover, DeviceOn/iService supports batch operations to facilitate the management of multiple devices simultaneously for easy and convenient device configuration and deployment.

### Total Management



#### Devices & Hardware

- Windows, Linux, Android
- Hardware, storage, battery



#### Software & Peripherals

- Software monitoring & access
- Screens, USB devices, printers



#### Open for Expansion

- Peripheral integration
- Open APIs for integration

### Remote Access



#### Real-Time Monitoring

- Connection/hardware status
- Software/peripheral status
- Failure notifications



#### Remote Controls

- Power controls
- Audio, backlight controls
- Software controls



#### Troubleshooting

- Screenshots
- Remote desktop support

### Operational Efficiency



#### OTA updates

- System/software updates
- File repository management
- App store



#### Batch Controls

- 1-to-many batch reboot, etc.
- Time-saving tasks



#### Setup Booster

- Software/peripheral watchlist
- Roles, rule templates

Note: Some functions may vary according to the product

### System Architecture

