



User Manual

MIC-713

AI Inference System based on
NVIDIA[®] Jetson Orin NX[™]/Orin
Nano[™]

ADVANTECH

Enabling an Intelligent Planet

Copyright

The documentation and the software included with this product are copyrighted 2023 by Advantech Co., Ltd. All rights are reserved. Advantech Co., Ltd. reserves the right to make improvements in the products described in this manual at any time without notice. No part of this manual may be reproduced, copied, translated, or transmitted in any form or by any means without the prior written permission of Advantech Co., Ltd. The information provided in this manual is intended to be accurate and reliable. However, Advantech Co., Ltd. assumes no responsibility for its use, nor for any infringements of the rights of third parties that may result from its use.

Acknowledgments

NVIDIA is a trademark of the NVIDIA Corporation.

All other product names or trademarks are properties of their respective owners.

Product Warranty (2 years)

Advantech warrants the original purchaser that each of its products will be free from defects in materials and workmanship for two years from the date of purchase.

This warranty does not apply to any products that have been repaired or altered by persons other than repair personnel authorized by Advantech, or products that have been subject to misuse, abuse, accident, or improper installation. Advantech assumes no liability under the terms of this warranty as a consequence of such events.

Because of Advantech's high quality-control standards and rigorous testing, most customers never need to use our repair service. If an Advantech product is defective, it will be repaired or replaced free of charge during the warranty period. For out-of-warranty repairs, customers will be billed according to the cost of replacement materials, service time, and freight. Please consult your dealer for more details.

If you believe your product is defective, follow the steps outlined below.

1. Collect all the information about the problem encountered. (For example, CPU speed, Advantech products used, other hardware and software used, etc.) Note anything abnormal and list any onscreen messages displayed when the problem occurs.
2. Call your dealer and describe the problem. Please have your manual, product, and any helpful information readily available.
3. If your product is diagnosed as defective, obtain a return merchandise authorization (RMA) number from your dealer. This allows us to process your return more quickly.
4. Carefully pack the defective product, a completed Repair and Replacement Order Card, and a proof of purchase date (such as a photocopy of your sales receipt) into a shippable container. Products returned without a proof of purchase date are not eligible for warranty service.
5. Write the RMA number clearly on the outside of the package and ship the package prepaid to your dealer.

Declaration of Conformity

FCC Class A

This equipment has been tested and found to comply with the limits for a Class A digital device, pursuant to part 15 of the FCC Rules. These limits are designed to provide reasonable protection against harmful interference when the equipment is operated in a commercial environment. This equipment generates, uses, and can radiate radio frequency energy and, if not installed and used in accordance with the instruction manual, may cause harmful interference to radio communications. Operation of this equipment in a residential area is likely to cause harmful interference. In this event, users are required to correct the interference at their own expense.

Packing List

Before system installation, check that the items listed below are included and in good condition. If any item does not accord with the list, contact your dealer immediately.

- 1 x MIC-713
- 1 x Power terminal block (4P)
- 2 x DI/DO terminal block (5P)
- 2 x mounting bracket
- 1 x China ROHS
- 1 x User manual (online download)
- 1 x Micro USB cable for system recovery

Peripheral Compatibility

Category	Advantech PN	Vendor	Part Description	Remarks
Solution kit	MIC-713S-ON3A1	Advantech	MIC-713S with NVIDIA Orin Nano 8GB solution kit	Orin Nano 8GB ADV PN is 968DD00349
	MIC-713S-ON2A1	Advantech	MIC-713S with NVIDIA Orin Nano 4GB solution kit	Orin Nano 4GB ADV PN is 968DD00350
	MIC-713S-OX4A1	Advantech	MIC-713S with NVIDIA Orin NX 16GB solution kit	Orin NX 16GB ADV PN is 968DD00271
	MIC-713S-OX3A1	Advantech	MIC-713S with NVIDIA Orin NX 8GB solution kit	Orin NX 8GB ADV PN is 968DD00270
System	MIC-713-ON3A1	Advantech	MIC-713 with NVIDIA Orin Nano 8GB AI system	Orin Nano 8GB ADV PN is 968DD00349
	MIC-713-ON2A1	Advantech	MIC-713 with NVIDIA Orin Nano 4GB AI system	Orin Nano 4GB ADV PN is 968DD00350
	MIC-713-OX4A1	Advantech	MIC-713 with NVIDIA Orin NX 16GB AI system	Orin NX 16GB ADV PN is 968DD00271
	MIC-713-OX3A1	Advantech	MIC-713 with NVIDIA Orin NX 8GB AI system	Orin NX 8GB ADV PN is 968DD00270
Mini PCIe slot (Signal: PCIe Gen3 x1 + USB 2.0)	Y5A710G002-96	Sierra	Sierra WP7611 with AT&T FW	4G LTE card
	EWM-C109F6G1E	ZonBEST	6-band HSPA Cellular Module, SIM holder+GPS	4G LTE card
	PCM-24R2PE-AE	Advantech	Intel i350, GbE, PoE IEEE 802.3af, PD, RJ45 x 2	2 ports PoE GbE lan card
M.2 2280 slot (Signal: PCIe Gen4 x1)	SQF-C8MV2-128GD-EDM	Advantech	SQF M.2 2280 720-D 128G 3D TLC BiCS5 (-20~85°C)	
	SQF-C8BV2-256GD-EDM	Advantech	SQF M.2 2280 720-D 256G 3D TLC BiCS5 (-20~85°C)	
	SQF-C8MV4-512G-EDE	Advantech	SQF M.2 2280 720 512G 3D TLC BiCS3 (-40~85°C)	
M.2 3052 slot (Signal: USB 2.0 + USB 3.2)	AIW-355DQ-E01	Advantech	5G(Sub-6G)/LTE/WCDMA module, GNSS, for Europe	
	TBD	Sierra	5G NR Sub-6 GHz Module	EM9291
MIPI slot	968DD00294	YUAN	2ch GMSL SW video card	
PCIe slot (PCIe Gen4 x4 slot, x4 signal)	PCIE-2221NP-00A1E	Advantech	2-port 10GBase-T NIC w Intel X550	PCIe x4 lan card
	PCIE-2201E	Advantech	PCIE 2 ports SFP+ 82599ES	PCIe x8 lan card
	PCE-USB4-00A1E	Advantech	PCIe x4, 4-port USB 3.0 expansion card	PCIe x4 USB3.0 card
Micro SD Card	SQF-MSDV1-64GDD2C	Advantech	SQF MICRO SD C10 3D TLC 64G (-25~85°C)	
PoE Board	98917330010	Advantech	MIC-733 PoE Board with package 96917330010	For MIC-713 series 5 lan sku only.
TPM module	PCA-TPMSPI-00A1	Advantech	TPM 2.0 Module by SPI for CPU cards, A101-1	

NOTE: The peripheral parts may EOL without any notice, please check with Advantech sales for updated information.

Product Information

For more information on this and other Advantech products, please visit our website at:

<http://www.advantech.com>

For technical support and service, please visit our support website for MIC-713 at: https://www.advantech.com/en/products/ai-computer-systems/sub_965e4edb-fb98-429e-89ed-9a0a8435a7be

Register your products on our website and get 2 months extra warranty for Free at: <http://www.register.advantech.com>

Safety Instructions

1. Read these safety instructions carefully.
2. Retain this user manual for future reference.
3. Disconnect the equipment from all power outlets before cleaning. Use only a damp cloth for cleaning. Do not use liquid or spray detergents.
4. For pluggable equipment, the power outlet socket must be located near the equipment and easily accessible.
5. Protect the equipment from humidity.
6. Place the equipment on a reliable surface during installation. Dropping or letting the equipment fall may cause damage.
7. The openings on the enclosure are for air convection. Protect the equipment from overheating. Do not cover the openings.
8. Ensure that the voltage of the power source is correct before connecting the equipment to a power outlet.
9. Position the power cord away from high-traffic areas. Do not place anything over the power cord.
10. All cautions and warnings on the equipment should be noted.
11. If the equipment is not used for a long time, disconnect it from the power source to avoid damage from transient overvoltage.
12. Never pour liquid into an opening. This may cause fire or electrical shock.
13. Never open the equipment. For safety reasons, the equipment should be opened only by qualified service personnel.
14. If any of the following occurs, have the equipment checked by service personnel:
 - The power cord or plug is damaged.
 - Liquid has penetrated the equipment.
 - The equipment has been exposed to moisture.
 - The equipment is malfunctioning, or does not operate according to the user manual.
 - The equipment has been dropped and damaged.
 - The equipment shows obvious signs of breakage.
15. The equipment should be installed in a restricted access area where only qualified skilled person.
16. The product is to be connected only to PoE networks without routing to the outside plant.

DISCLAIMER: This set of instructions is given according to IEC 704-1. Advantech disclaims all responsibility for the accuracy of any statements contained herein.

Caution:

- Ensure that the voltage of the power source is correct before connecting the equipment to a power outlet. The power outlet socket should have grounded connection.
- Danger of explosion if battery is incorrectly replaced. Replace only with the same or equivalent type recommended by the manufacturer, discard used batteries according to the manufacturer's instructions.
- This product is intended to be supplied by an UL certified power supply or dc source suitable for use at minimum Tmax. 60 degree° C whose output meets SELV or ES1 and is rated 9-36Vdc, 15-5.6A min., if need further assistance, please contact Advantech for further information.
- The equipment is not suitable for use in locations where children are likely to be present.
- The equipment should be installed in a restricted access area where only qualified skilled person.
- Never open the equipment. For safety reasons, the equipment should be opened only by qualified skilled person.

Attention:

- Assurez-vous que la tension de la source d'alimentation est correcte avant de connecter l'équipement à une prise de courant. La prise de courant doit être reliée à la terre.
- Danger d'explosion si la batterie n'est pas remplacée correctement. Remplacez uniquement par le même type ou un type équivalent recommandé par le fabricant, jetez les piles usagées conformément aux instructions du fabricant.
- Ce produit est destiné à être alimenté par une alimentation électrique certifiée UL ou une source CC adaptée à une utilisation à Tmax minimum. 60 degrés ° C dont la sortie est conforme SELV ou ES1 et est nominale 9-36Vdc, 15-5.6A min., si besoin d'aide supplémentaire, veuillez contacter Advantech pour plus d'informations.
- L'équipement n'est pas adapté à une utilisation dans des endroits où des enfants sont susceptibles d'être présents.
- L'équipement doit être installé dans une zone d'accès restreint où seule une personne qualifiée est qualifiée.
- N'ouvrez jamais l'équipement. Pour des raisons de sécurité, l'équipement ne doit être ouvert que par une personne qualifiée.

Safety Precaution – Static Electricity

Follow these simple precautions to protect yourself from harm and the products from damage:

- To avoid electrical shock, always disconnect the power from your PC chassis before you work on it. Don't touch any components on the CPU card or other cards while the PC is on.
- Disconnect the power before making any configuration changes. A sudden rush of power after connecting a jumper or installing a card may damage sensitive electronic components.

Contents

Chapter 1	General Introduction	1
1.1	Introduction	2
1.2	Product Features.....	2
1.2.1	Key Features.....	2
	Table 1.1: Processor	2
1.3	Mechanical Specifications.....	3
1.4	Electrical Specifications	3
1.5	Environmental Specifications.....	3
Chapter 2	System I/O Overview	5
2.1	MIC-713 System I/O Overview.....	6
2.2	Connectors.....	7
2.2.1	Power Indicator.....	7
2.2.2	4In-4Out DI/DO.....	8
	Table 2.1: Isolation digital input.....	8
	Table 2.2: Isolation digital output.....	9
2.2.3	USB 3.2.....	9
2.2.4	Ethernet (LAN).....	10
	Table 2.3: Ethernet (LAN) LED indicator	10
2.2.5	Chassis Grounding Connection	11
2.2.6	DC-IN Connector	12
2.2.7	HDMI Connector	12
2.2.8	Line-out & Microphone Jack (Optional).....	13
2.2.9	COM Port (Optional)	13
2.2.10	CAN BUS Connector	14
	Table 2.4: CAN BUS connector.....	14
2.2.11	SMA Half-punched Holes.....	15
Chapter 3	Board Placement Overview	17
3.1	MIC-713 Board Placement Overview.....	18
3.1.1	Board Block Diagram	19
3.1.2	Power Connector for iDoor Modules.....	20
3.1.3	Power Connector for PCIe Expansion Cards.....	20
3.1.4	Mic & Line-out Cable Header.....	21
3.1.5	COM Port Deep Switch & Connector.....	22
	Table 3.1: COM port deep switch & connector.....	22
3.1.6	Power Connector for SATA HDD/SSD	23
3.1.7	4-pin Fan Header	24
3.1.8	PCI Express Expansion Slot.....	25
3.1.9	Deep Switch for M.2 3052 Slot	26
	Table 3.2: Deep switch for M.2 3052 slot	26
3.1.10	PoE Upgrade Kit (Optional) Related Connector	27
3.1.11	M.2 3052 Slot & Related SIM Slot	28
3.1.12	Mini PCIe Slot & SIM Slot for Mini PCIe Slot	29
3.1.13	M.2 2242/2280 Slot.....	30
3.1.14	TPM2.0 Header.....	30
3.1.15	Recovery Button/Reset Button/Micro USB Connector.....	31
3.1.16	Micro SD Slot.....	32
3.1.17	GPIO Expansion Header	32
	Table 3.3: GPIO expansion header	32
3.1.18	UART Header	34

	Table 3.4: UART header	34
3.1.19	Allxon Module Power/Control Header.....	35
	Table 3.5: Allxon module power/control header	35
3.1.20	AT/ATX Power Mode Jumper	36
	Table 3.6: PSON1	36
3.1.21	Deep Switch for CAN Bus.....	37
	Table 3.7: Deep switch for CAN bus	37
3.1.22	MIPI Slot	38

Chapter 4 System Installation 39

4.1	Removing Bottom Cover.....	40
4.2	Bracket Installing.....	41
4.3	Solution Kit Exploded Diagram	44
	Table 4.1: Solution kit exploded diagram	44
4.4	System Exploded Diagram	45
	Table 4.2: System exploded diagram.....	45

Chapter 1

General Introduction

1.1 Introduction

MIC-713 is pre-integrated with the NVIDIA® Jetson Orin NX™ or Orin Nano™, and is ideal for use in industrial AI applications. MIC-713 design includes 2 x Gigabit Ethernet LAN ports, 1 x HDMI video for display, 4ch-DI, 4ch-DO, 2 x RS-232/RS-422/RS-485 (Internal pin header reserved), 6 x external USB3.2, 1 x internal Micro USB for system recovery, 1 x Mini-PCIe (Signal: PCIe + USB), 1 x M.2 2280 NVMe (Signal: PCIe x1) and 1 x Micro SD card slot for storage device, 1 x M.2 3052 (Signal: USB). Additionally, MIC-713 supports iDoor and iModules to provide more integration flexibility.

1.2 Product Features

1.2.1 Key Features

1.2.1.1 Processor

Table 1.1: Processor

	On-module memory	Orin NX	Orin Nano
CPU	4G	-	ARM Cortex-A78AE CPU (6 cores), (TDP up to 10 W, 1.5 GHz)
	8G	ARM Cortex-A78AE CPU (6 cores), (TDP up to 20 W, 2 GHz)	ARM Cortex-A78AE CPU (6 cores), (TDP up to 15 W, 1.5 GHz)
	16G	16GB (ONX 16 GB) - ARM Cortex-A78AE CPU (8 cores) - (TDP up to 25 W, 2 GHz)	
GPU	4G	-	512 core NVIDIA Ampere GPU with 16 Tensor Cores (Max frequency up to 625 MHz)
	8G	1024 core NVIDIA Ampere GPU with 32 Tensor Cores (Max frequency up to 765 MHz)	1024 core NVIDIA Ampere GPU with 32 Tensor Cores (Max frequency up to 625 MHz)
	16G	1024 core NVIDIA Ampere GPU with 32 Tensor Cores (Max frequency up to 918 MHz)	

1.2.1.2 Ethernet

- 2 x 10/100/1000 Mbps (Standard sku)
- 5 x 10/100/1000 Mbps (Solution kit sku), 4 of 5 LAN ports can support to 15.4 W (IEEE 802.3 AF) PoE function (without isolation) or 2 of 5 LAN ports can support to 30 W (IEEE 802.3 AT) PoE function (without isolation) with PoE upgrade kit*.

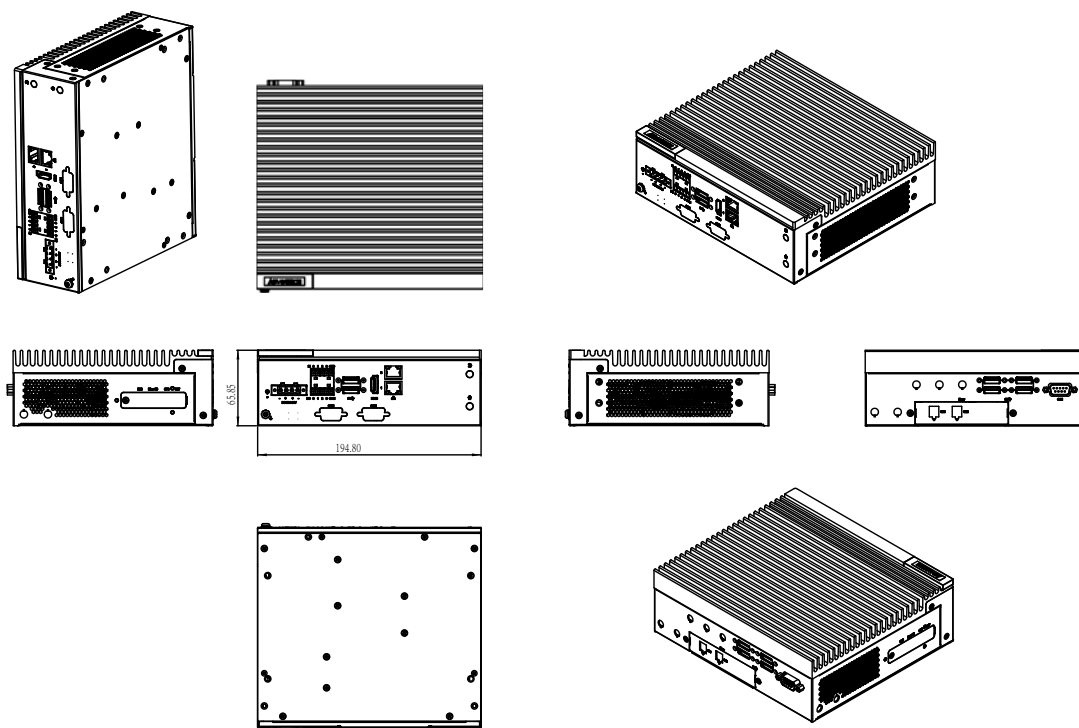
*NOTE: PoE upgrade kit (ADV PN is 98917330010) is an optional part by request, the maximum power limit is up to 60 W.

1.2.1.3 Peripheral & I/O

- 1 x HDMI 2.0 video output (Max. resolution 3840x2160 @ 60Hz)
- 6 x USB 3.2 Gen 2 (External)
- 1 x USB 2.0 (Internal, Micro USB connector for OTG)
- 1 x 4 ch-DI & 1 x 4 ch-DO
- 2 x RS-232/RS-422/RS-485 (Internal pin header reserved)
- 1 x Mini PCIe (PCIe x1+USB)
- 1 x iDoor space
- 1 x M.2 2280 NVMe slot (signal:PCIe x1)
- 1 x M.2 3052 slot (signal: USB)
- 1 x Micro SD
- 2 x NANO SIM (for mini PCIe & M.2 3052)

1.3 Mechanical Specifications

- **Standard SKU dimension:** 194.8 x 174.3 x 65.85 mm (7.67" x 6.86" x 2.59")
- **Reference Weight:** 2.05 kg (w/o packing material)



1.4 Electrical Specifications

- **Power type:** AT/ATX
- **Power input:** 9-36 V_{DC}; 15-5.6 A

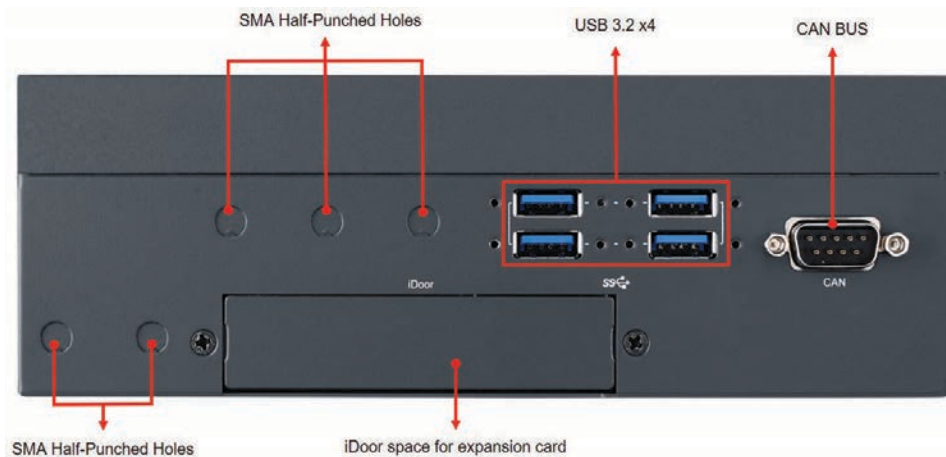
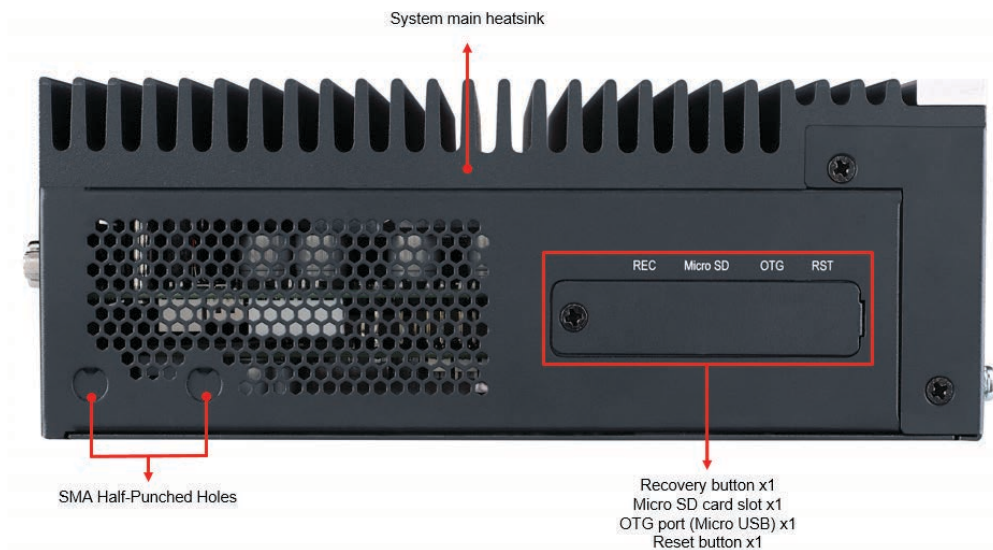
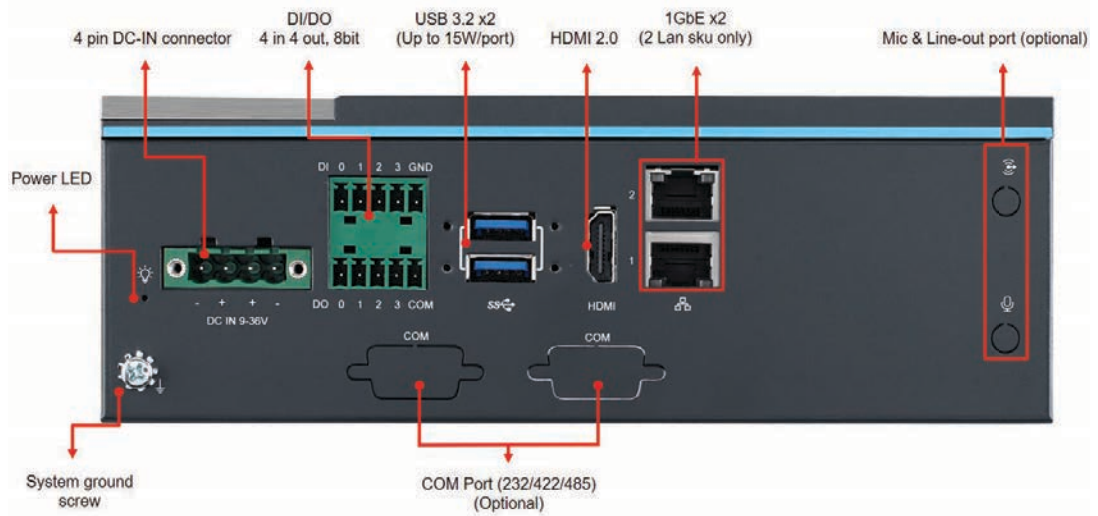
1.5 Environmental Specifications

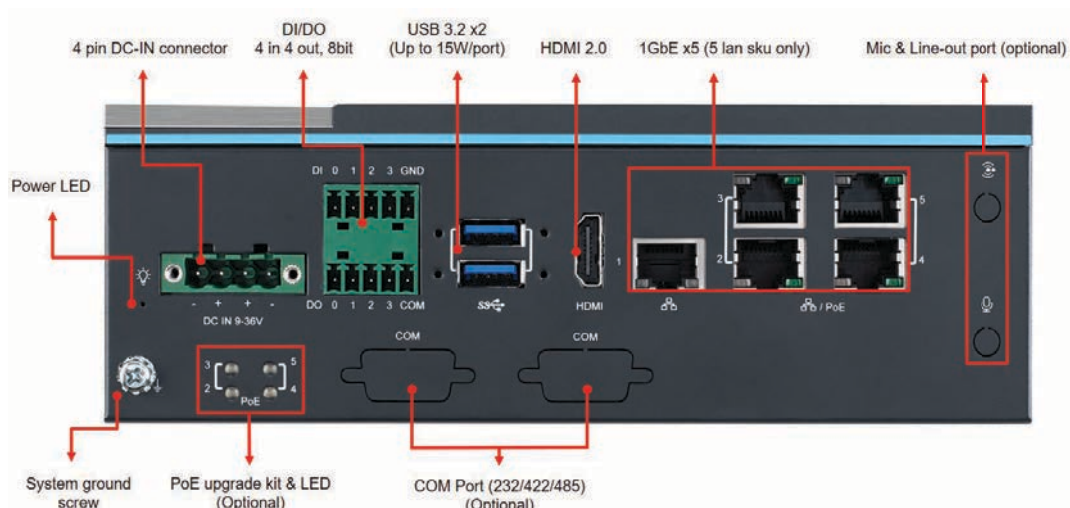
- **Operating temperature:** -10 ~ 60°C (14 ~ 140°F)*
- **Operating humidity:** 95% @ 40°C (non-condensing)
- **Storage temperature:** -40 ~ 85°C (-40 ~ 185°F)
- **Storage humidity:** 60°C @ 95% RH non-condensing

Chapter 2

System I/O Overview

2.1 MIC-713 System I/O Overview





2.2 Connectors

2.2.1 Power Indicator

The MIC-713 comes with a Power ON/OFF LED indicators on the front side to show its on status (Green LED) and Off/Suspend status (RED LED).



2.2.2 4In-4Out DI/DO

The MIC-73 comes with a 4In/4Out DI/DO port on the front side of the device.

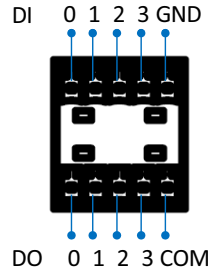
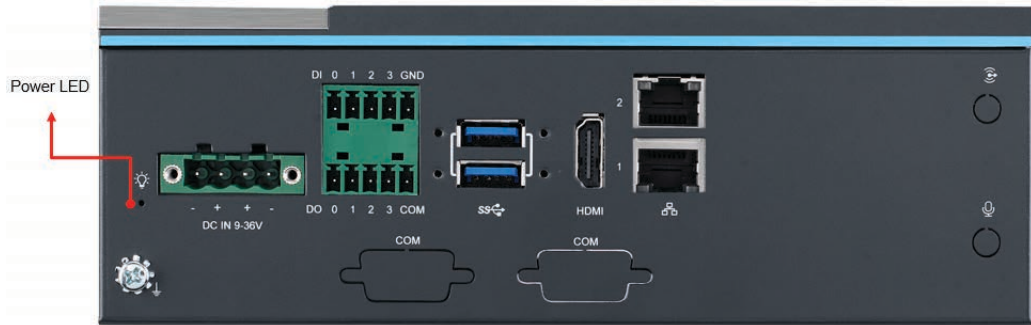


Table 2.1: Isolation digital input

Number of Input Channels	4
Optical Isolation	2500 V _{DC}
Input Voltage	<ul style="list-style-type: none"> ■ Dry contact: Logic1: Open Logic0: Close to ground ■ Wet contact: VIH (max.)=60 V_{DC} VIH (min.)= 5 V_{DC} VIL (max.)= 2 V_{DC}

Table 2.2: Isolation digital output

Number of Output Channels	4
Optical Isolation	500 V _{DC}
Supply Voltage	Sink 40 V _{DC}
Sink Current	0.2 A max./Channel

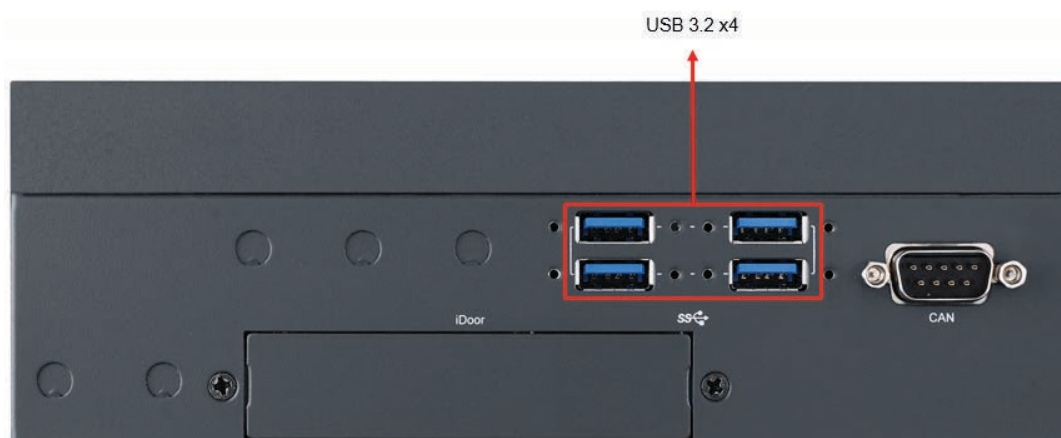
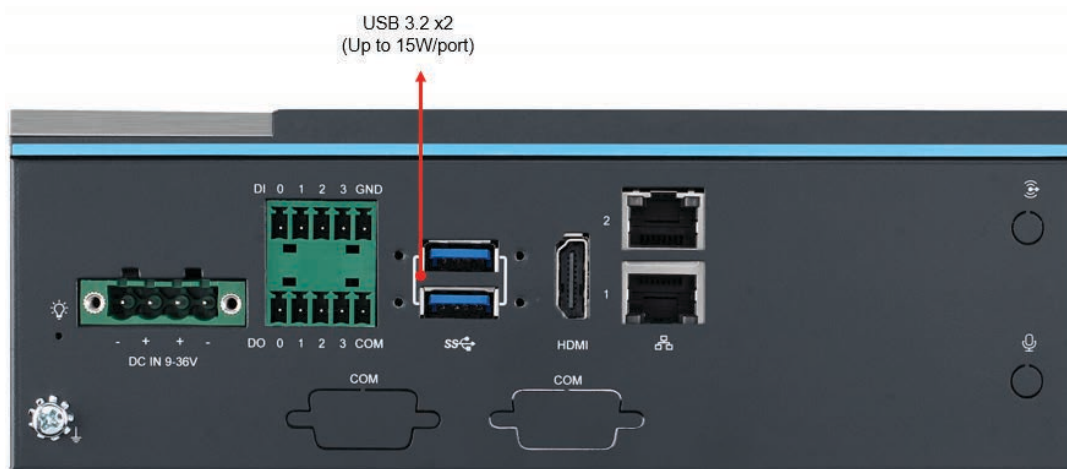
2.2.3 USB 3.2

The MIC-713 provides two USB3.2 Gen2 ports in the front panel, and four USB3.2 Gen2 ports in the rear panel, suggest to choose 12 V (or above)/ 120 W (or above) adapter for using.

The two USB 3.2 ports in front panel can provide up to 15 W/port for each USB device.

The four USB 3.2 ports in rear panel can provide up to 4.5 W per port for each USB device.

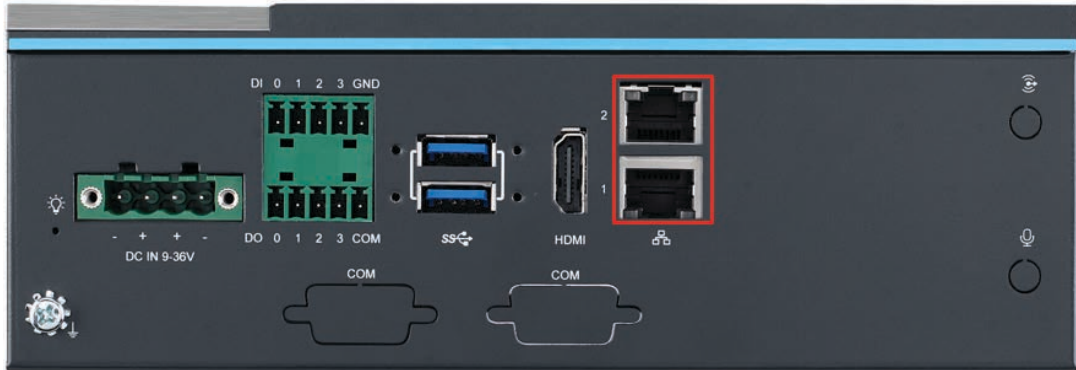
Note! If to use a 9 V adapter, the maximum power output of total six USB ports is limited to 30 W.



2.2.4 Ethernet (LAN)

The MIC-713 comes with two/five LAN Ports on the front side. Each Ethernet port is equipped with two LEDs. The Green LED indicates activity; the other Green-Amber LED indicates speed.

2 LAN SKU



5 LAN SKU

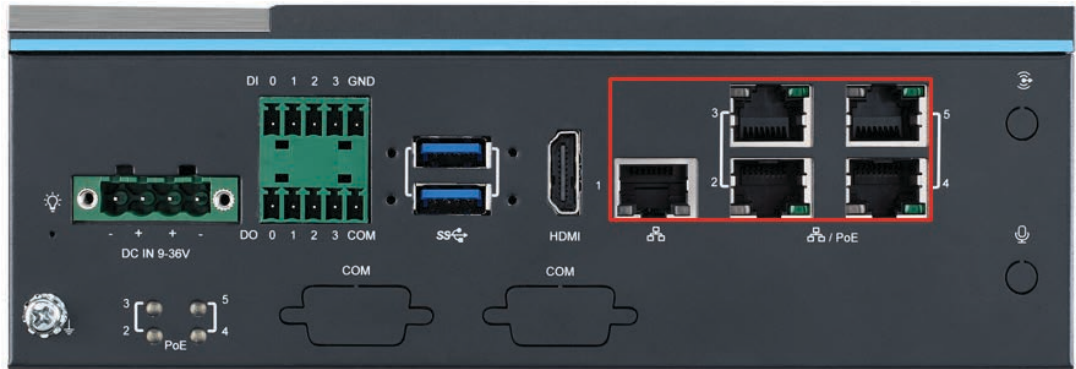


Table 2.3: Ethernet (LAN) LED indicator

Green LED

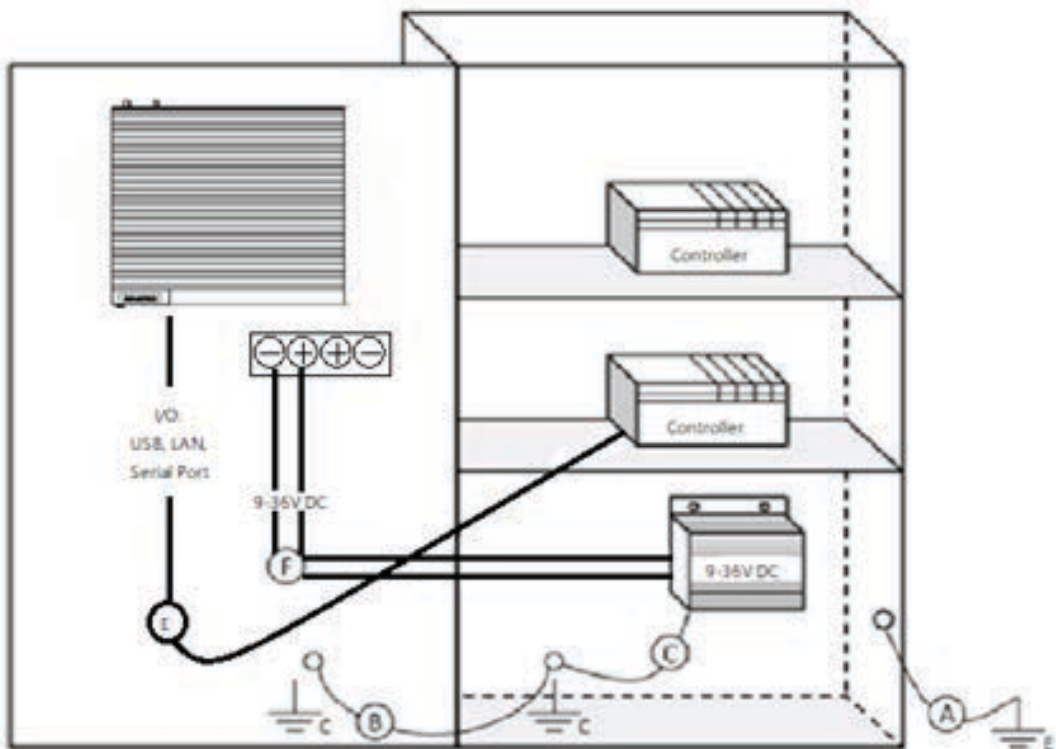
OFF	ON	Blinking
LAN No connection	LAN Link	Activity on this port

Green-Amber LED

OFF	Green	Amber
Speed 10 Mbps	Speed 1 Gbps	Speed 100 Mbps

2.2.5 Chassis Grounding Connection

Use the green-yellow Earth-ground cable (16AWG) to connect the chassis ground with other protective bonding.



Cabinet/Rack system installation:

1. Connect the cabinet to the earth/ground.
2. Install the MIC device into the cabinet/rack system without I/O and power cables.

System wiring:

1. Ensure that all cabinet/rack system have been grounded together.
2. Connect the ground of the power supply to the cabinet/rack system.
3. Connect the ground pin of the MIC device to the cabinet/rack system.

2.2.6 DC-IN Connector

When conducting DC connector wiring you should follow the below instructions:

1. Must be installed by a skilled person.
2. Use copper conductors only.
3. Choose appropriate wire diameter.
4. The terminal block is suitable for 14 AWG torque value is 7 lb in.
5. The voltage for the system is $9 V_{DC}$ to $36 V_{DC}$.
6. The current for the system is 15 A to 5.6 A.

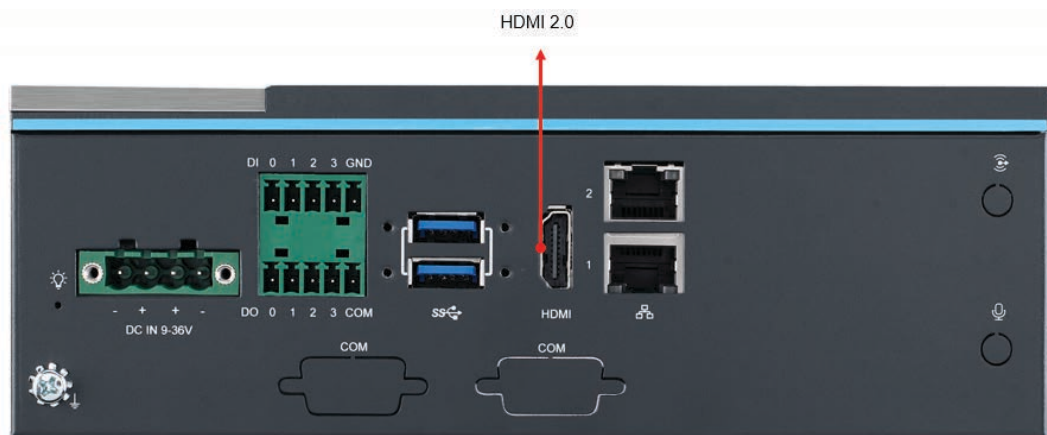
4 pin DC-IN connector



NOTE: To take and swap the 4 pin phoenix connector from the system accessory box if the adapter only offers 2 pin/3 pin phoenix connectors.

2.2.7 HDMI Connector

The MIC-713 provides an HDMI 2.0 type-A connector for displaying video. The maximum resolution is 3840x2160 @60Hz.



2.2.8 Line-Out & Microphone Jack (Optional)

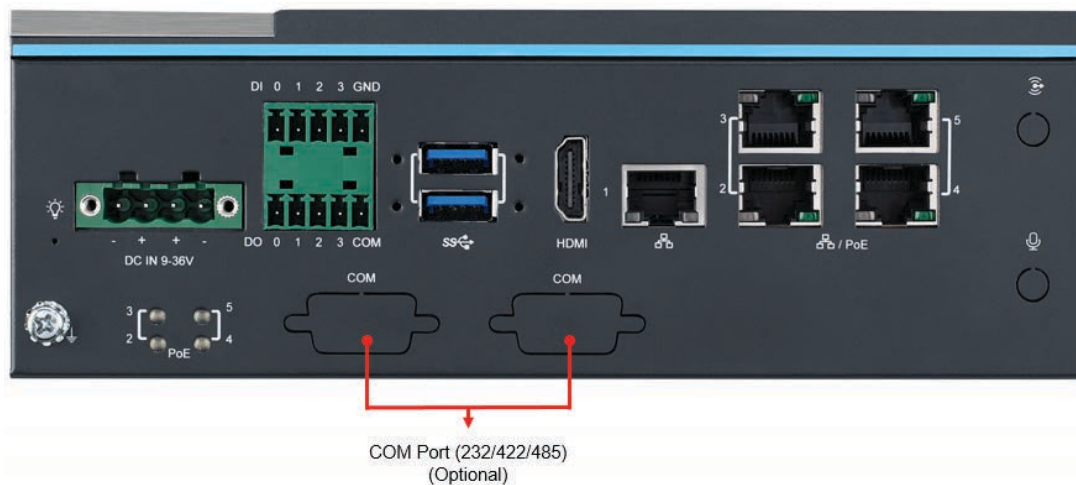
The MIC-713 provides 3.5 mm type line-out (for headphones only) and a microphone jack for audio usage. The optional cable part number is 1700027920-01.



2.2.9 COM Port (Optional)

The MIC-713 provides 2pcs COM port for RS-232/422/485 usage. The optional cable part number is 1700019968.

Please refer to Section 3.1.5 for detailed COM port switch settings.



2.2.10 CAN BUS Connector

The MIC-713 provides a 9 pin CAN FD BUS connector. The pin descriptions is shown below.



Table 2.4: CAN BUS connector

Pin	Signal	Description
1	Reserved	No connection
2	CAN_L	CAN Low bus line
3	CAN_GND	CAN_GND
4	Reserved	No connection
5	CAN_Shield	CAN_Shield
6	CAN_GND	CAN_GND
7	CAN_H	CAN High bus line
8	Reserved	No connection
9	NC	No connection

2.2.11 SMA Half-Punched Holes

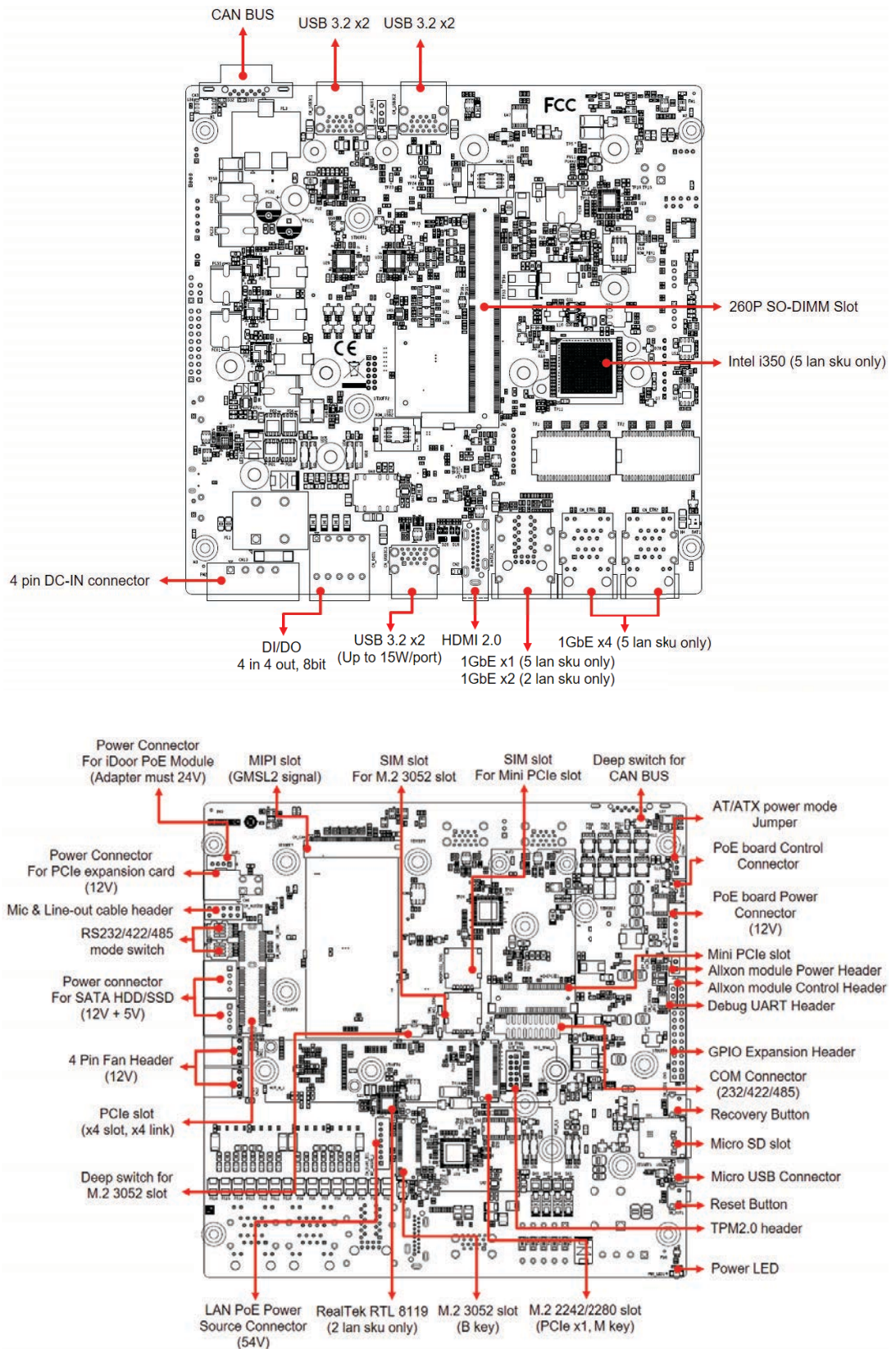
The MIC-713 provides up to 7 SMA half-punched holes, these holes can be installed for the antenna & related cable of Wi-Fi, Bluetooth, GPS, GNSS, 4G, 5G etc.



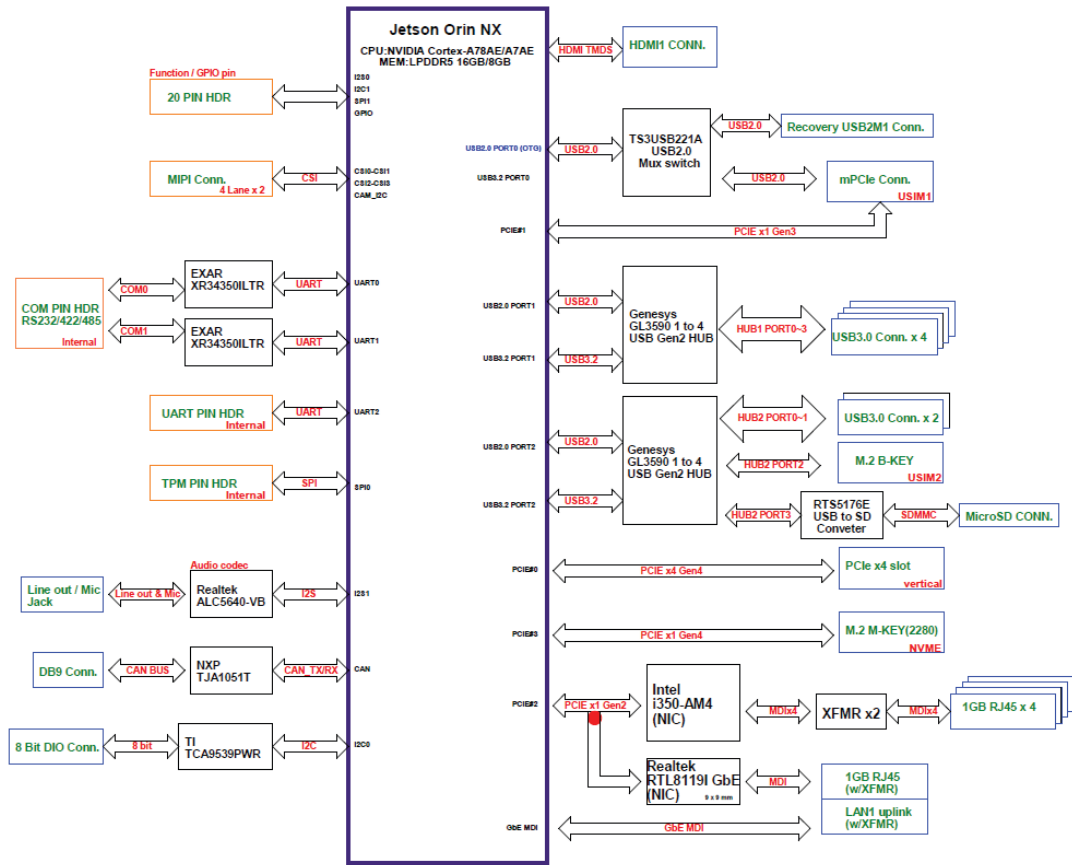
Chapter 3

Board Placement Overview

3.1 MIC-713 Board Placement Overview



3.1.1 Board Block Diagram



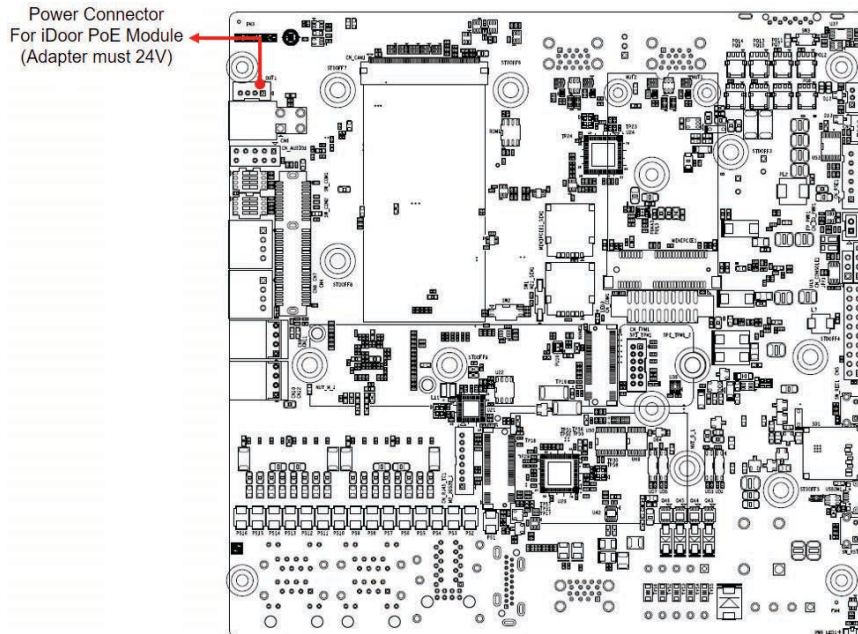
NOTE:

1. Intel i350 is only for 5 LAN SKU.
2. Realtek RTL8119L is only for 2 LAN SKU.

3.1.2 Power Connector for iDoor Modules

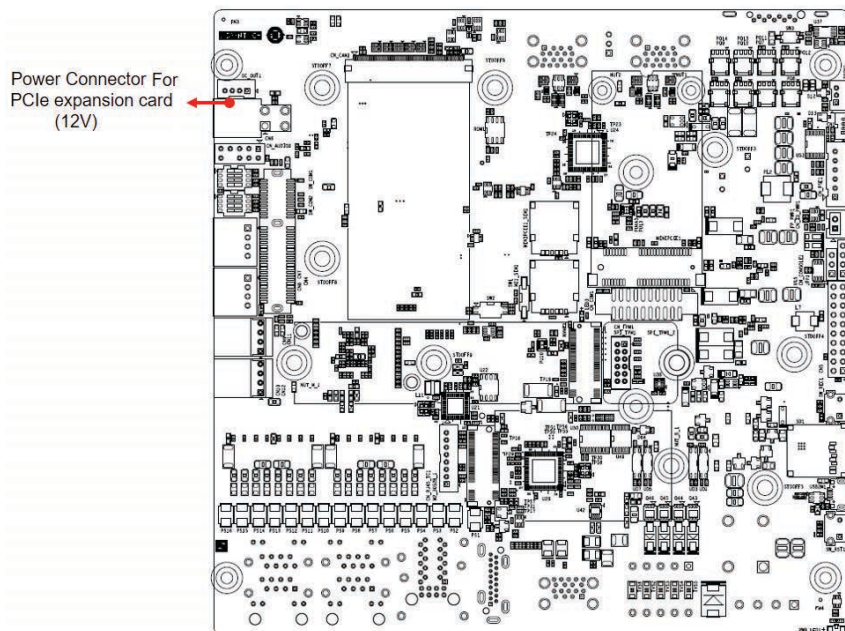
This connector is for iDoor modules, which provides the same voltage as the system power adapter output.

If an iDoor PoE LAN card needs to be installed, please note that the power adapter MUST have a 24 V_{DC} output type for the system when using an iDoor PoE LAN card.



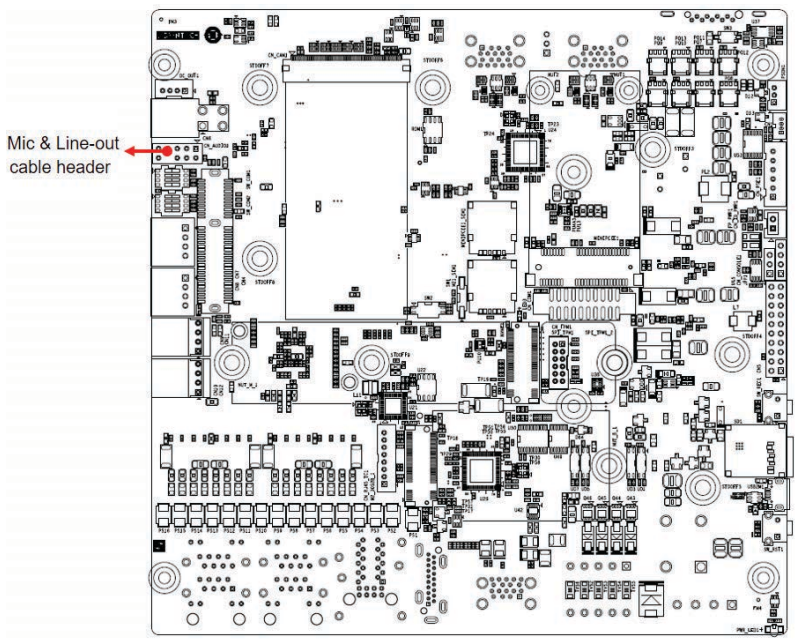
3.1.3 Power Connector for PCIe Expansion Cards

This connector can support an extra 12 V of power (up to 25 W) for PCIe cards.



3.1.4 Mic & Line-Out Cable Header

The optional cable 1700027920-01 can be plugged into this header for audio usage.



3.1.5 COM Port Deep Switch & Connector

The below table shows COM port switch settings. The default setting is RS-232 mode.

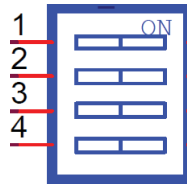
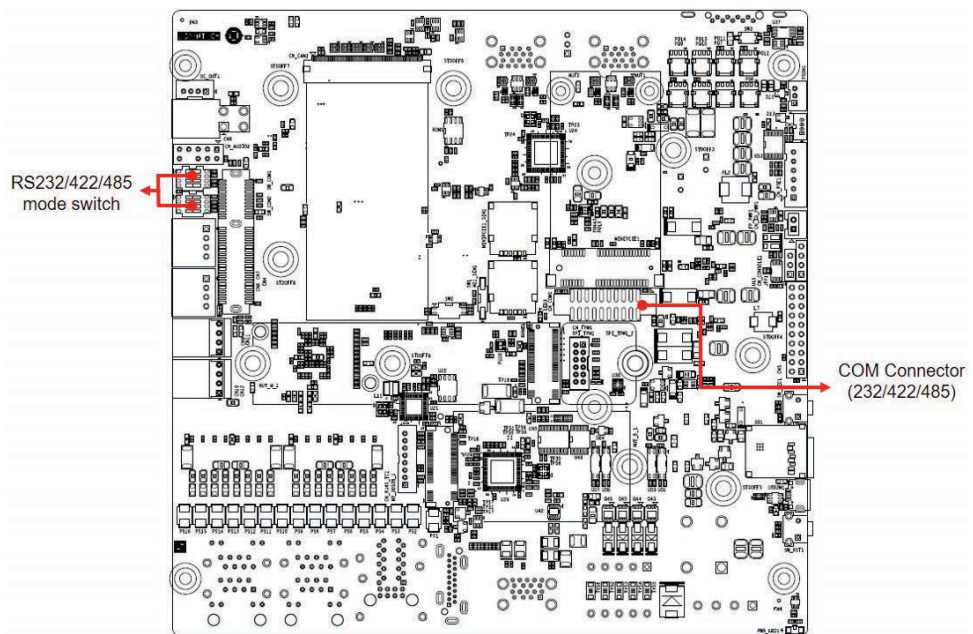


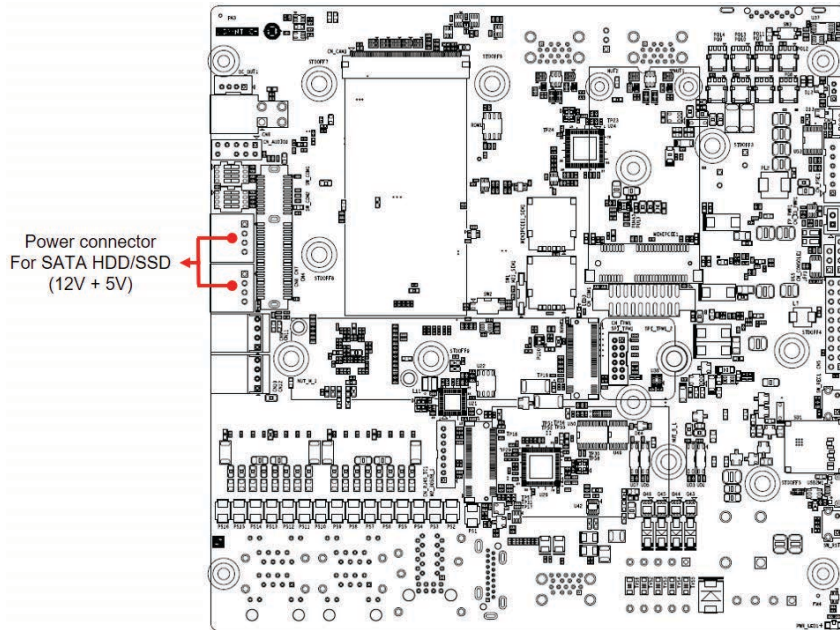
Table 3.1: COM port deep switch & connector

	Mode	Pin1	Pin2	Pin3	Pin4
SW_COM1	RS-232	OFF	OFF	OFF	OFF
SW_COM2	RS-422	ON	OFF	ON- Receiver Termination Enable	ON-Bypass RTS polarity
Setting	RS-485	ON	ON	OFF- Receiver Termination Disable	OFF- Invert RTS polarity



3.1.6 Power Connector for SATA HDD/SSD

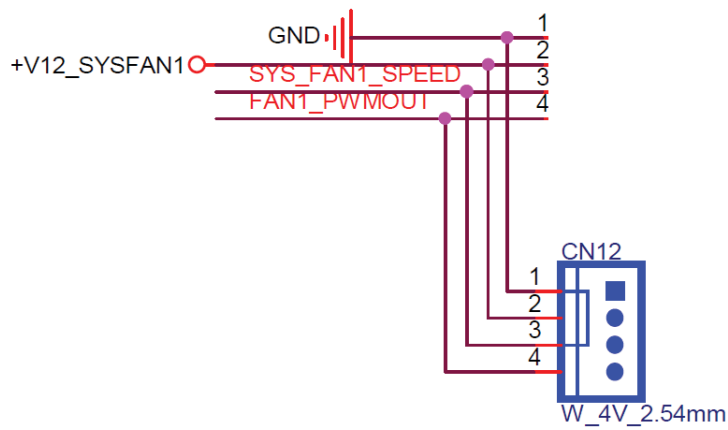
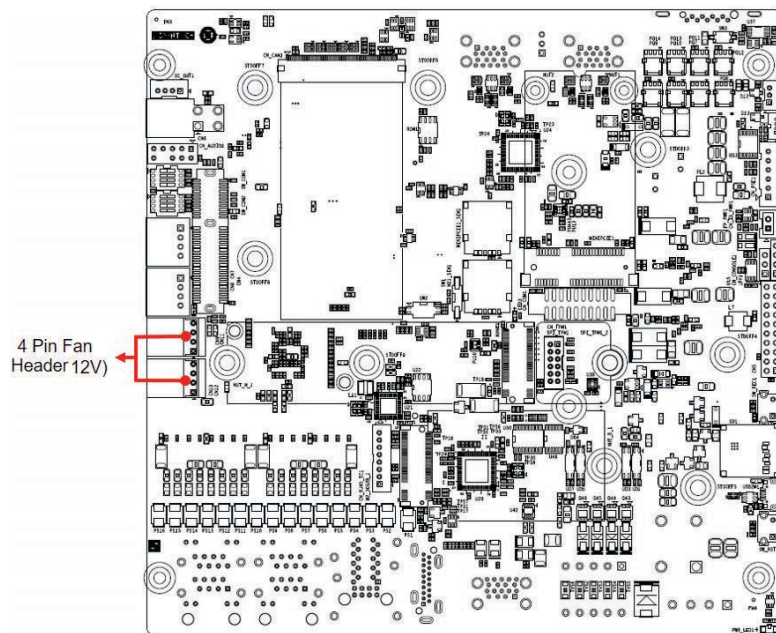
This connector can provide power to a 2.5" HDD/SSD or a 3.5" HDD, the cable need to contact Advantech Sales/AE for detailed information.



3.1.7 4-pin Fan Header

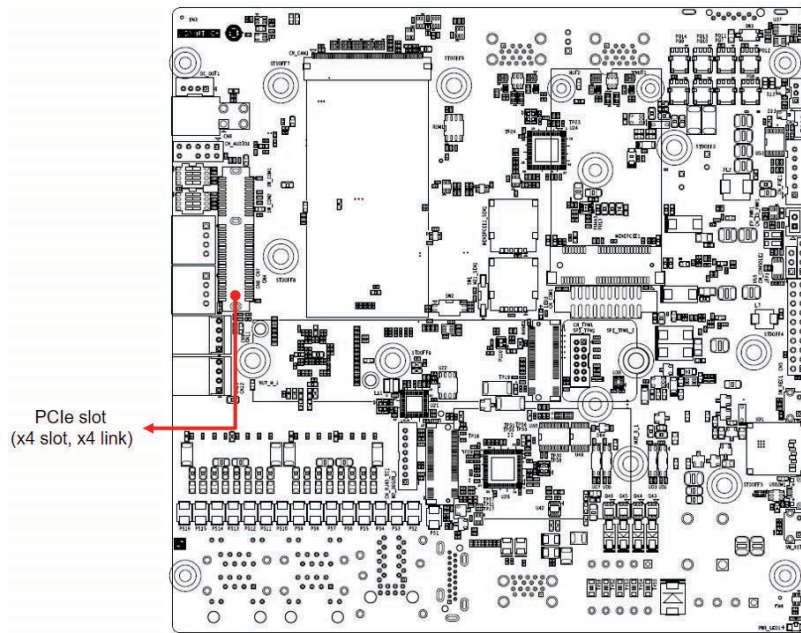
For some scenarios, a 4-pin fan will be connected to this board.

The maximum specification that each header can provide is 9.6 W.



3.1.8 PCI Express Expansion Slot

MIC-713 offers a PCIe Gen4 x4 open-end slot (x4 link) for various usages, such as Ethernet, USB cards, etc.



3.1.9 Deep Switch for M.2 3052 Slot

Some of cards (e.g. Sierra EM9291) request both pin 20 & 22 to pull from. Please set it if the card requests it.

The default setting for pins 20 & 22 are OFF.

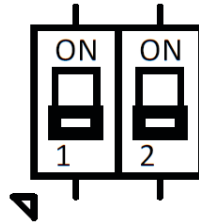
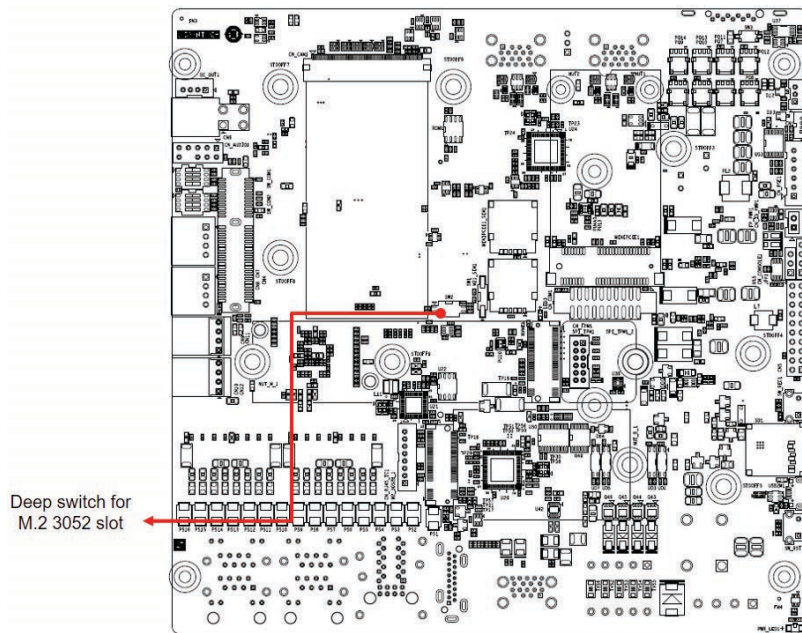


Table 3.2: Deep switch for M.2 3052 slot

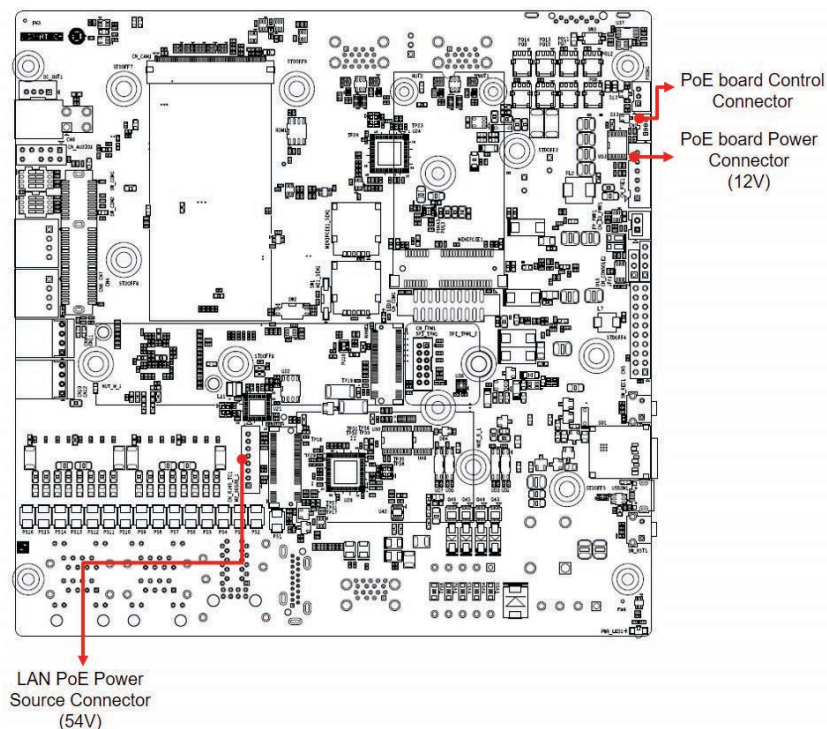
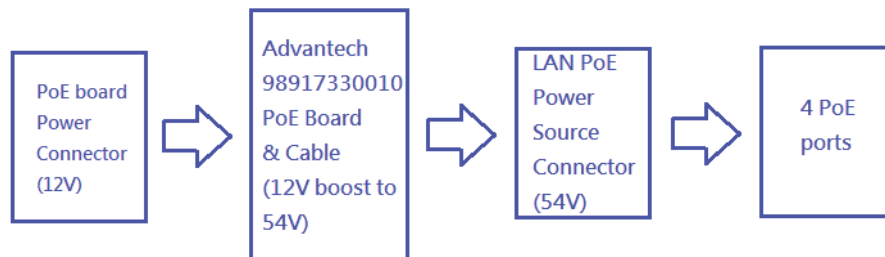
SW1	SEL	Status
SW1-1 (Pin 20)	ON	1.8 V pull high
SW1-2 (Pin 22)	OFF	NC (Default)



3.1.10 PoE Upgrade Kit (Optional) Related Connector

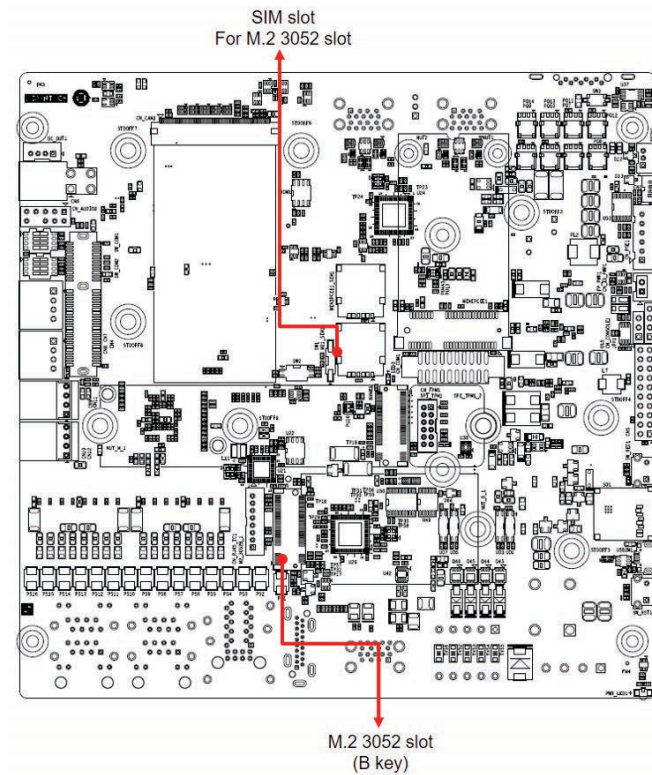
1. LAN PoE Power Source Connector (54V) – This connector pass the 54 V power (from Advantech PoE board) to 4 PoE ports, each port can provide up to 15 W to device.
2. PoE board Power connector (12 V) – This connector pass the 12 V (from motherboard) to Advantech PoE board.
3. PoE board Control Connector – This connector is designed to function reserving for future usage.

Below is the process to show the power source of PoE ports where from.



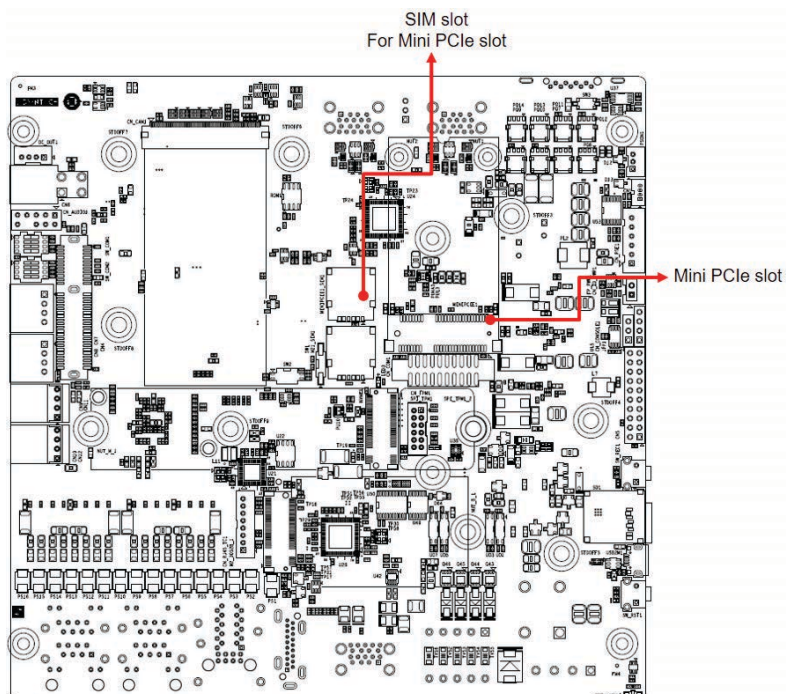
3.1.11 M.2 3052 Slot & Related SIM Slot

1. M.2 3052 slot – This slot provides USB 2.0/3.2 signal for expansion cards.
2. SIM slot for M.2 3052 slot – A NANO SIM card can be adopted into this slot if the M.2 3052 expansion card requests it for further usage.



3.1.12 Mini PCIe Slot & SIM Slot for Mini PCIe Slot

1. Mini PCIe slot – This slot provides USB 2.0 and PCIe Gen3 x1 signal for expansion cards.
2. SIM slot for Mini PCIe slot – A NANO SIM card can be adopted into this slot if the Mini PCIe expansion card requests it for further usage.

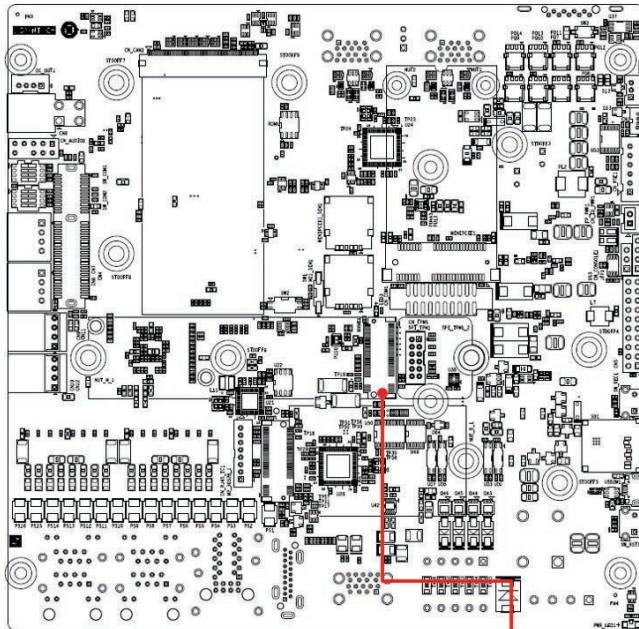


3.1.13 M.2 2242/2280 Slot

An M.2 M-Key 2242/2280 device can be installed on this slot, and the slot offers PCIe Gen4 x1 signal for devices.

If you need to install an M.2 M-Key 2242 device, one optional “1910000747” part is necessary.

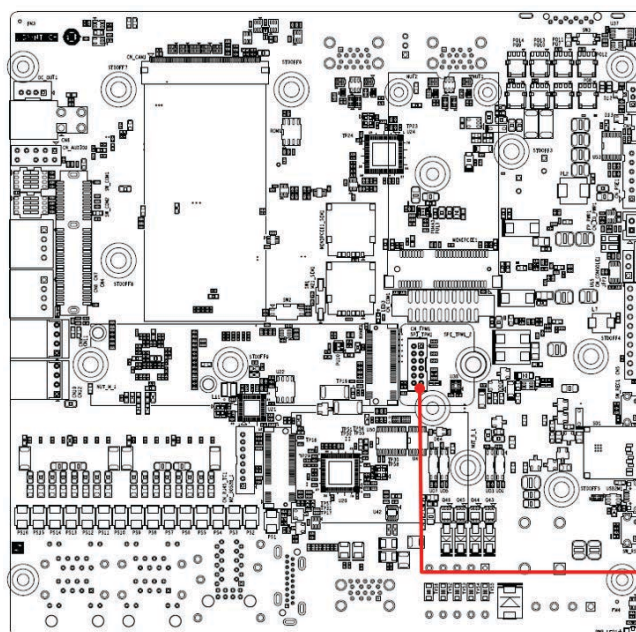
Install “1910000747” in the stand-off, then install the M.2 M-Key 2242 card in the slot.



M.2 2242/2280 slot
(PCIe x1, M key)

3.1.14 TPM2.0 Header

This header is suitable for a TPM (Trusted Platform Module) 2.0 device, the Advantech part number is PCA-TPMSPI-00A1.



TPM2.0 header

3.1.15 Recovery Button/Reset Button/Micro USB Connector

To update your MIC-713, you must be in “Force USB Recovery Mode.” When in “Force USB Recovery Mode”, you can update system software and write partition configuration to the device.

Follow the below instruction for further updating:

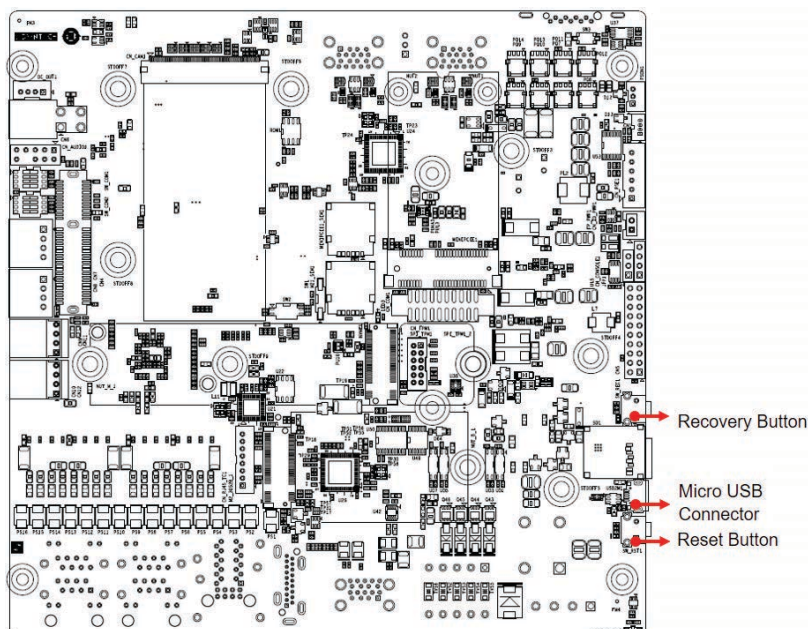
1. To prepare a HOST PC. (About more HOST PC detail, please refer to software update SOP file from the BSP Download page on <https://www.advantech.com/en/campaign/industrial-ai-iot-solution-nvidia/resource>)
2. Before flashing the MIC-713, you must turn MIC-713 into “Force USB Recovery Mode” manually.
 - (a) Shut down the MIC-713.
 - (b) Connect to the HOST PC via MIC-713 Internal micro USB port with the USB cable. You can find this cable in the accessory box.
 - (c) Press and hold the onboard recovery button.
 - (d) Press the reset button.
 - (e) After 5 seconds, release the recovery button.

Make sure the MIC-713 is recognized by the Host PC successfully.

Type command: “lsusb” in the host PC. If you see “NVIDIA Corp” it means the MIC-713 is in recovery mode.

NOTE:

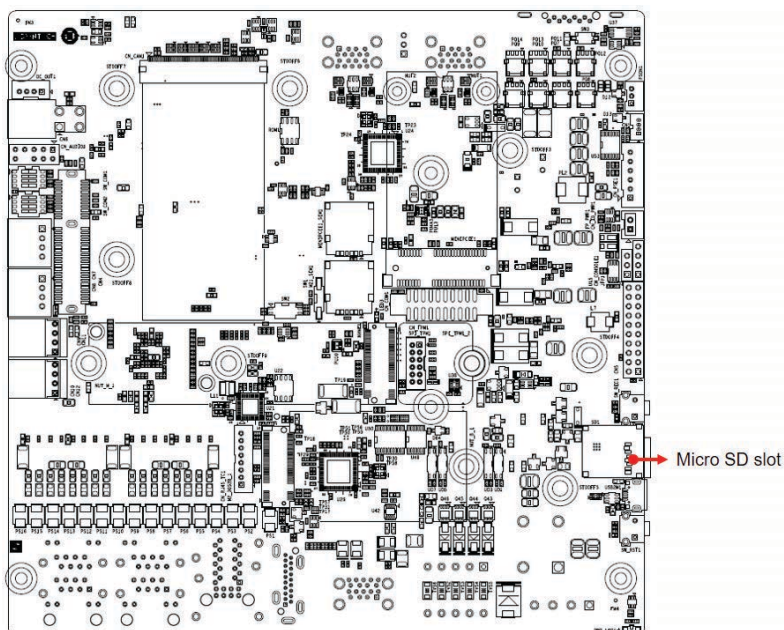
1. User name & password of MIC-713 Orin NX platform: mic-713.
2. User name & password of MIC-713 Orin Nano platform: mic-713on.
3. Root name of the MIC-713 series product: root.



3.1.16 Micro SD Slot

This slot provides a USB 2.0 signal for Micro SD cards.

If the extra data storage space is required, you can install a 64GB or above capacity Micro SD card on this slot for further usage.



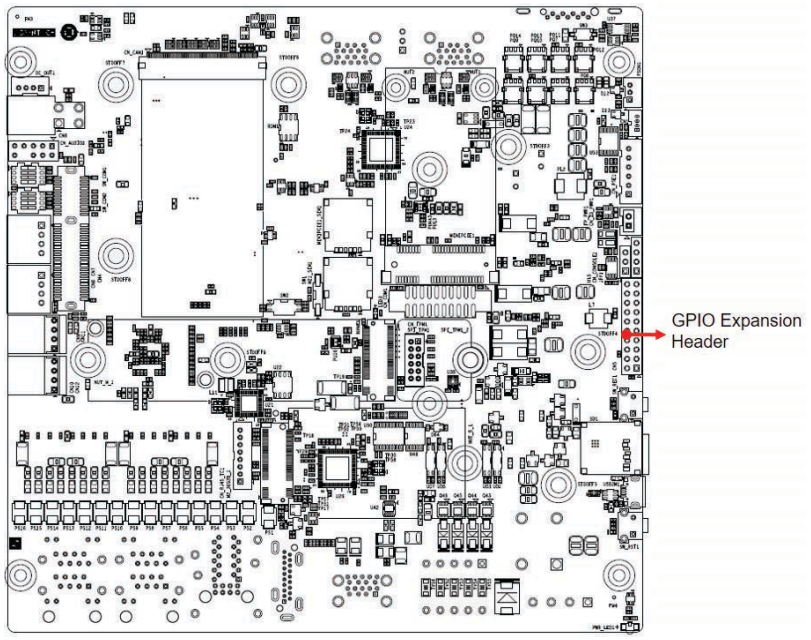
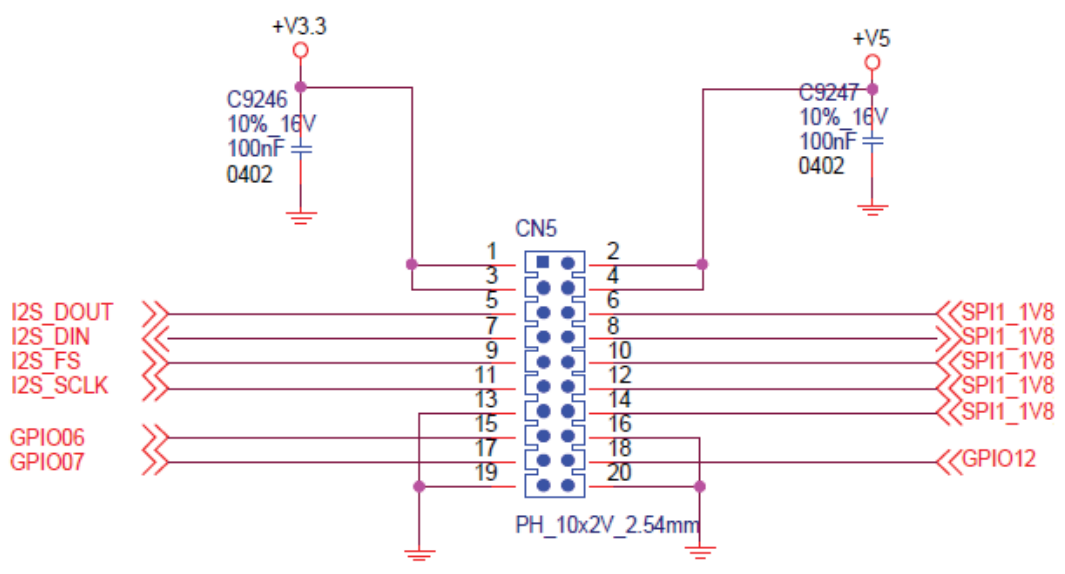
3.1.17 GPIO Expansion Header

The MIC-713 provides multi GPIO pins for developer usage.

The pin definition is as below table.

Table 3.3: GPIO expansion header

PIN	Signal	Description	IO Voltage Level
1	3.3V	Power +3.3 V	3.3 V
2	5V	Power +5 V	5 V
3	3.3V	Power +3.3 V	3.3 V
4	5V	Power +5 V	5 V
5	I2S_DOUT	I2S Audio Data Out	1.8 V
6	SPI1_SCK	SPI Clock	1.8 V
7	I2S_DIN	I2S Audio Data In	1.8 V
8	SPI1_MISO	SPI Master In/Slave Out	1.8 V
9	I2S_FS	I2S Audio Left/Right Clock	1.8 V
10	SPI1_MOSI	SPI Master Out/Slave In	1.8 V
11	I2S_SCLK	I2S Audio Clock	1.8 V
12	SPI1_CS0	SPI Chip Select 0	1.8 V
13	GND	GND	N/A
14	SPI1_CS1	SPI Chip Select 1	1.8 V
15	GPIO06G	GPIO	1.8 V
16	GND	GND	N/A
17	GPIO07	GPIO	1.8V
18	GPIO12	GPIO	1.8V
19	GND	GND	N/A
20	GND	GND	N/A

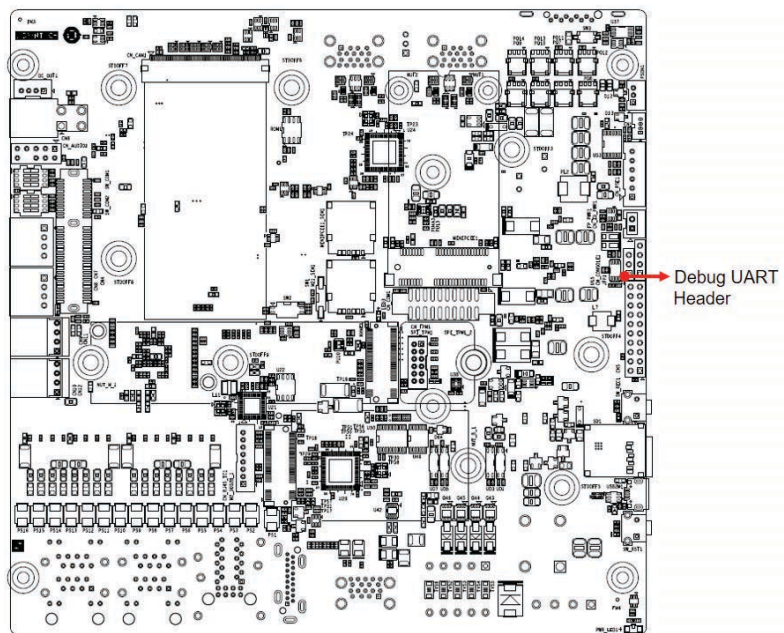
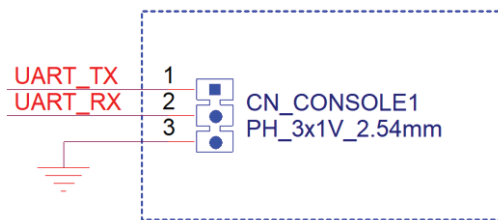


3.1.18 UART Header

The MIC-713 provides a UART header for developer's usage. The pin definition is as shown in the table below.

Table 3.4: UART header

PIN	Signal	Description	IO Voltage Level
1	UART_TX	UART Transmit	1.8 V
2	UART_RX	UART Receive	1.8 V
3	GND	GND	N/A

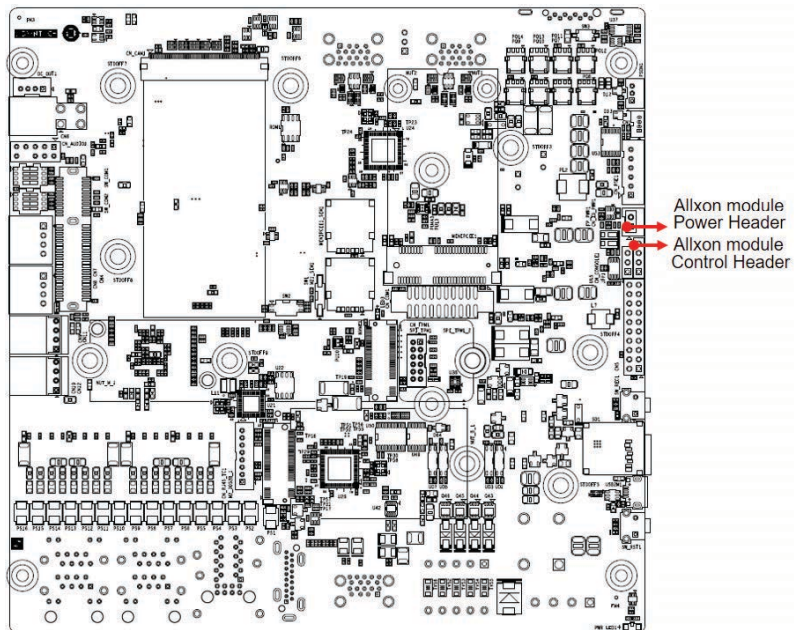
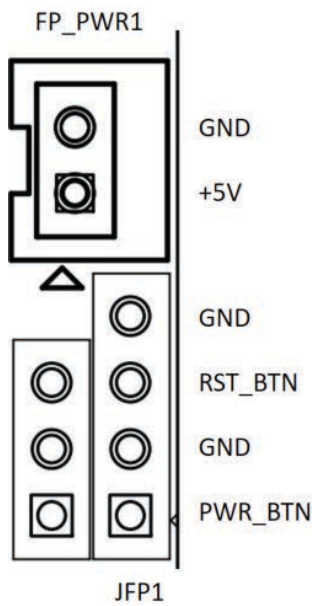


3.1.19 Allxon Module Power/Control Header

If an Allxon out-of-band module (Advantech PN: 98RV710AL00) will be installed on the motherboard, the necessary Advantech cable PN and motherboard pin definition is shown below.

Table 3.5: Allxon module power/control header

Function	PIN	Advantech Cable PN
Power 5 V	FP_PWR1 (PIN1 & PIN2)	1700034663-01
Power Button	JFP1 (PIN1 & PIN2)	1700034664-01
Reset Button	JFP1 (PIN3 & PIN4)	1700034665-01

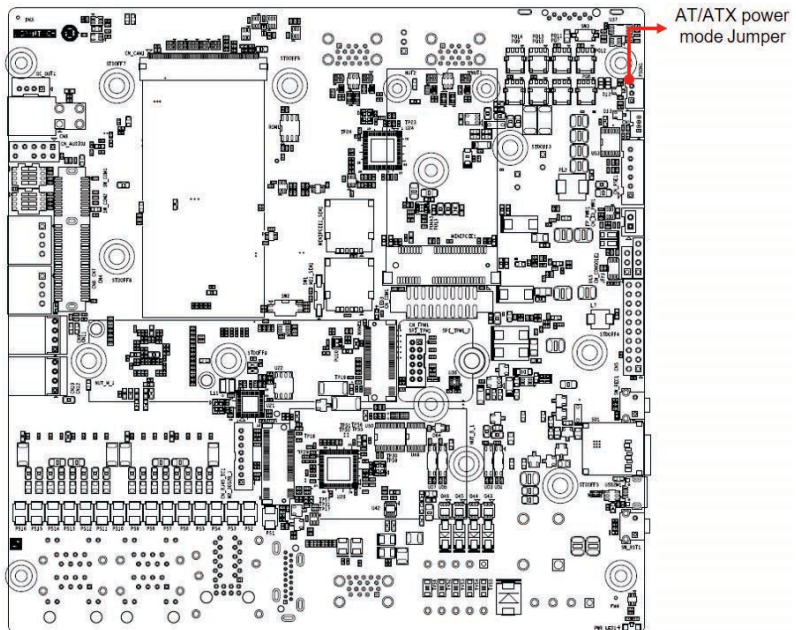


3.1.20 AT/ATX Power Mode Jumper

MIC-713 provides the AT/ATX power mode jumper for different scenario usage.

Table 3.6: PSON1

PIN	Power Mode
1-2	AT (Default)
2-3	ATX



3.1.21 Deep Switch for CAN Bus

MIC-713 provides a deep switch for CAN bus to add a 120 ohm resistor or not to prevent signal reflection.

The default setting of pin 1 is OFF.

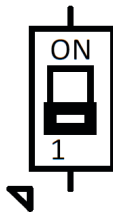
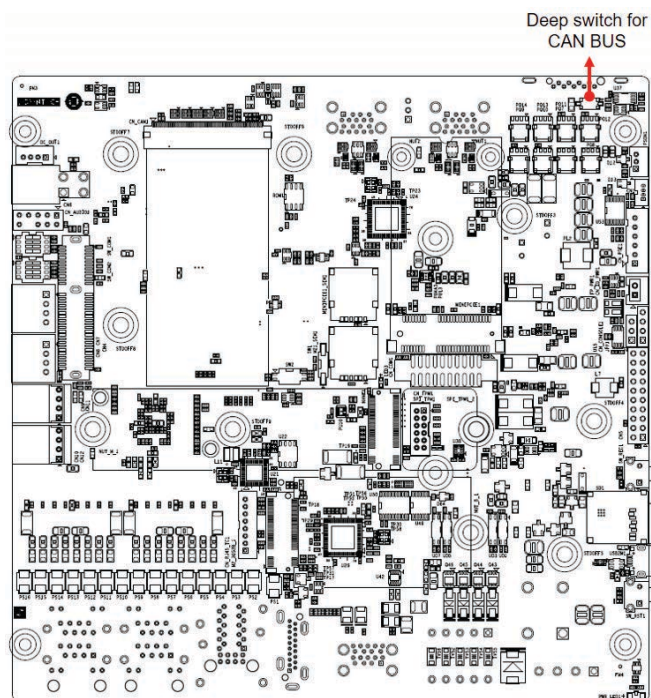


Table 3.7: Deep switch for CAN bus

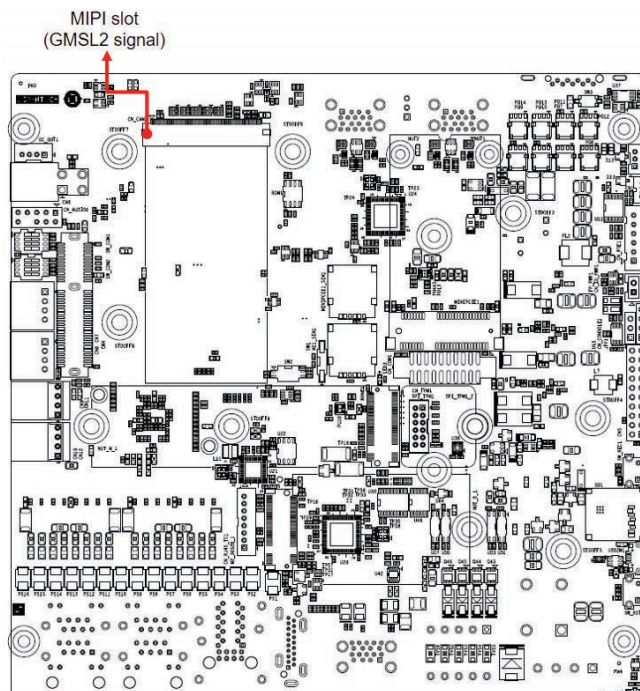
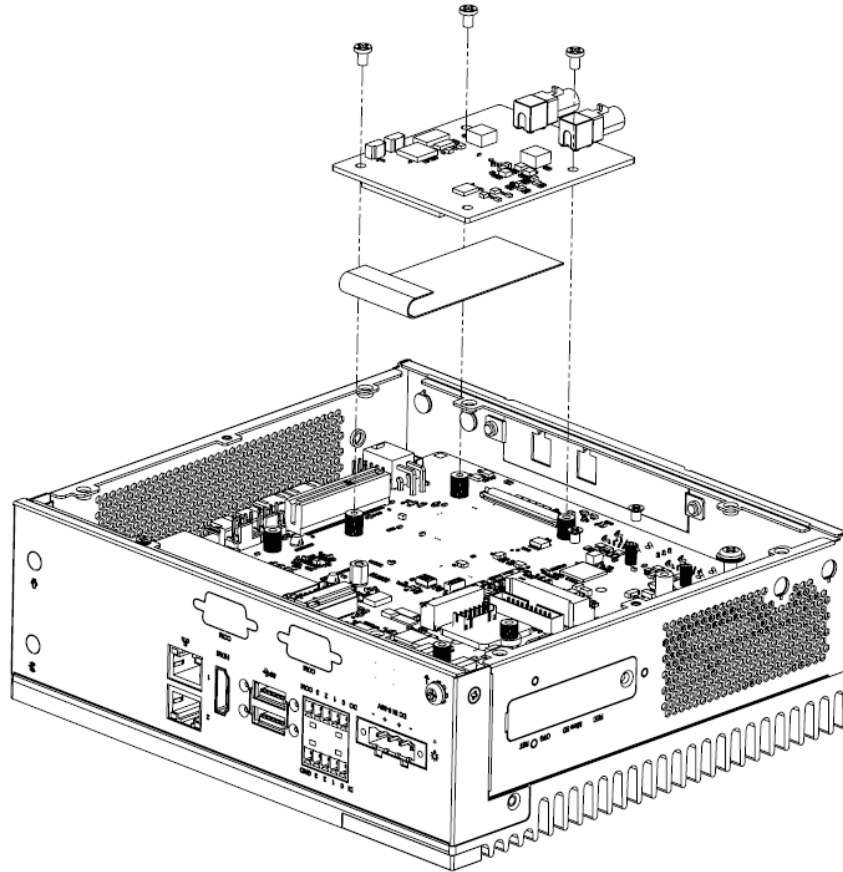
	SEL	Function
SW1	ON	Add 120 ohm
	OFF	Remove 120 ohm (default)



3.1.22 MIPI Slot

The MIC-713 provides an MIPI slot. It can be installed with the Advantech GMSL2 card (2 channel card with FAKRA connectors, Advantech PN 968DD00294).

There are 3 screws (Advantech PN 1930005673-11) necessary for the Advantech GMSL2 card installation. These screws are pre-installed on the motherboard.

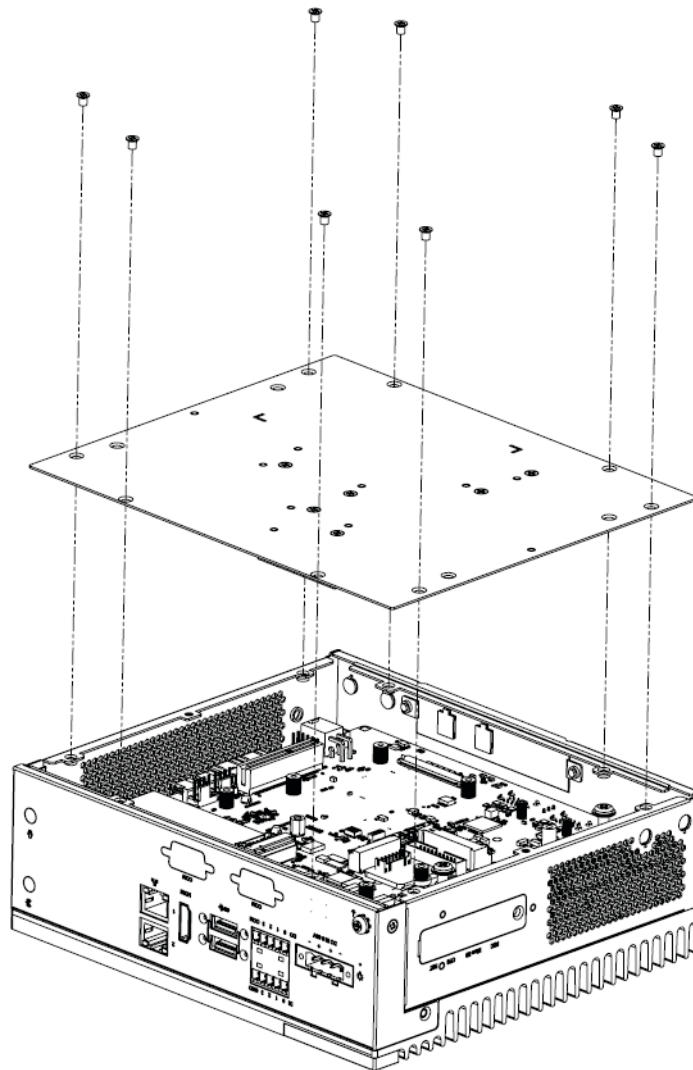


Chapter 4

System Installation

4.1 Removing Bottom Cover

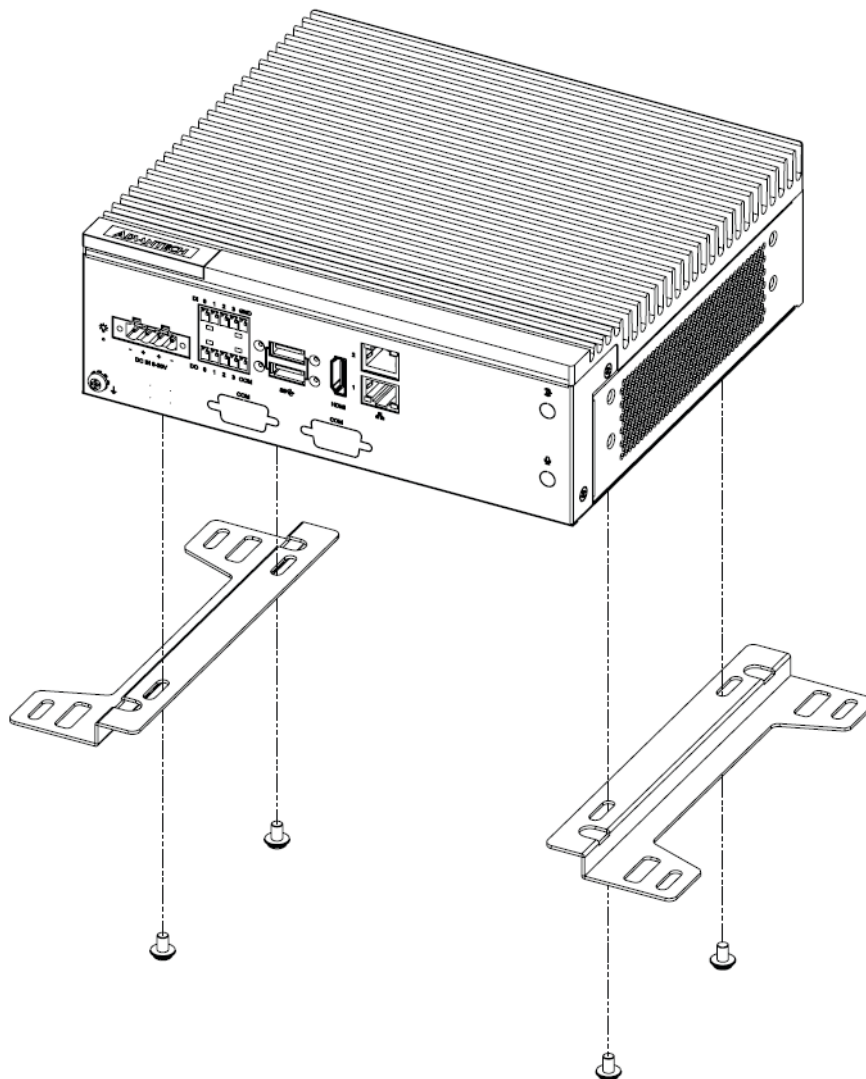
There are a total of 8 screws (1930007979) which need to be removed before opening the bottom cover.



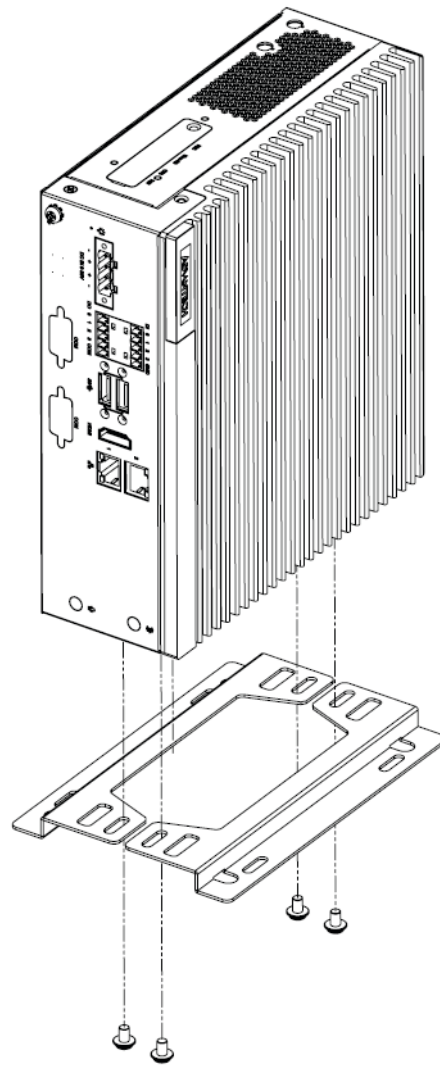
4.2 Bracket Installing

1. Take the mounting bracket (Advantech PN: 1960110505N001, MOUNTING Bracket for MIC-713 Powder 432C) from the accessory box.
2. Secure with 4 screws (Advantech PN: 1930007259-01, M4x4L F/S D=8.5 H=1.5 (2+) ST/H BZn-NK) and install the system on a table.

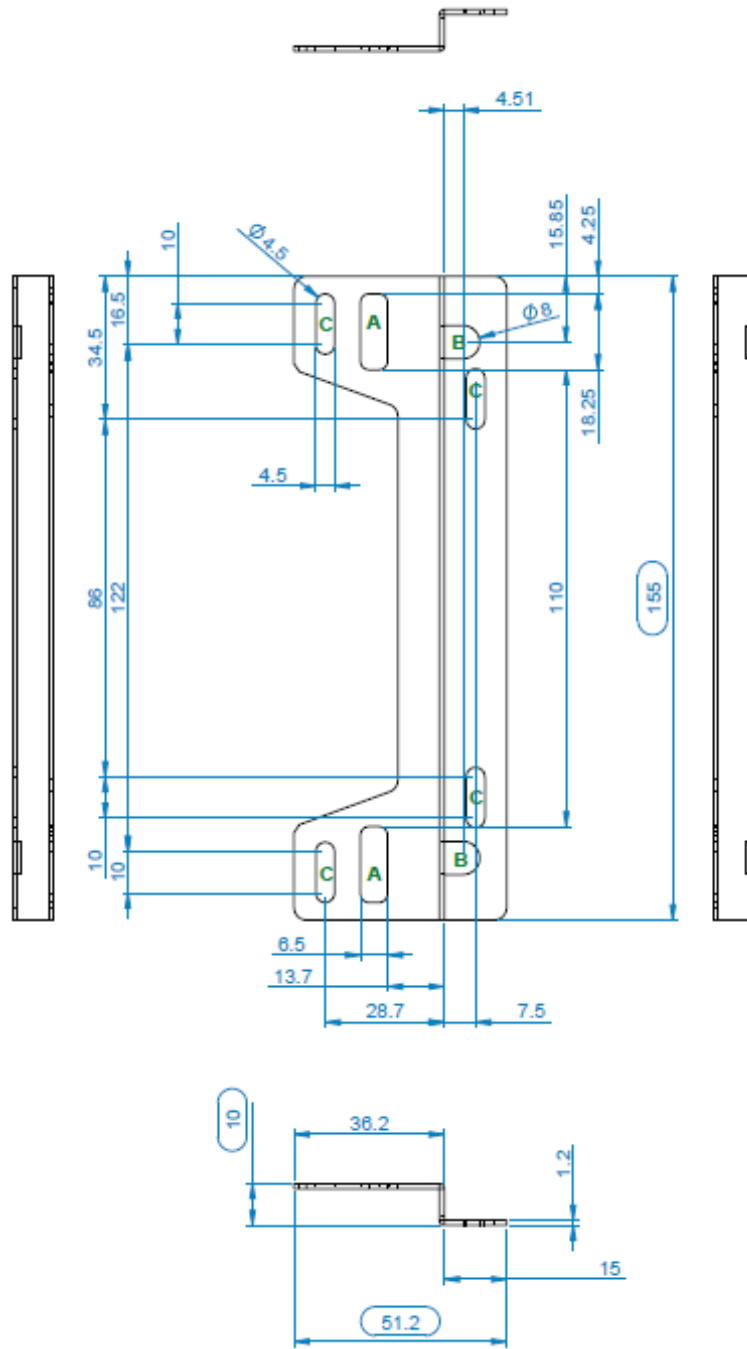
Type 1:



Type 2:



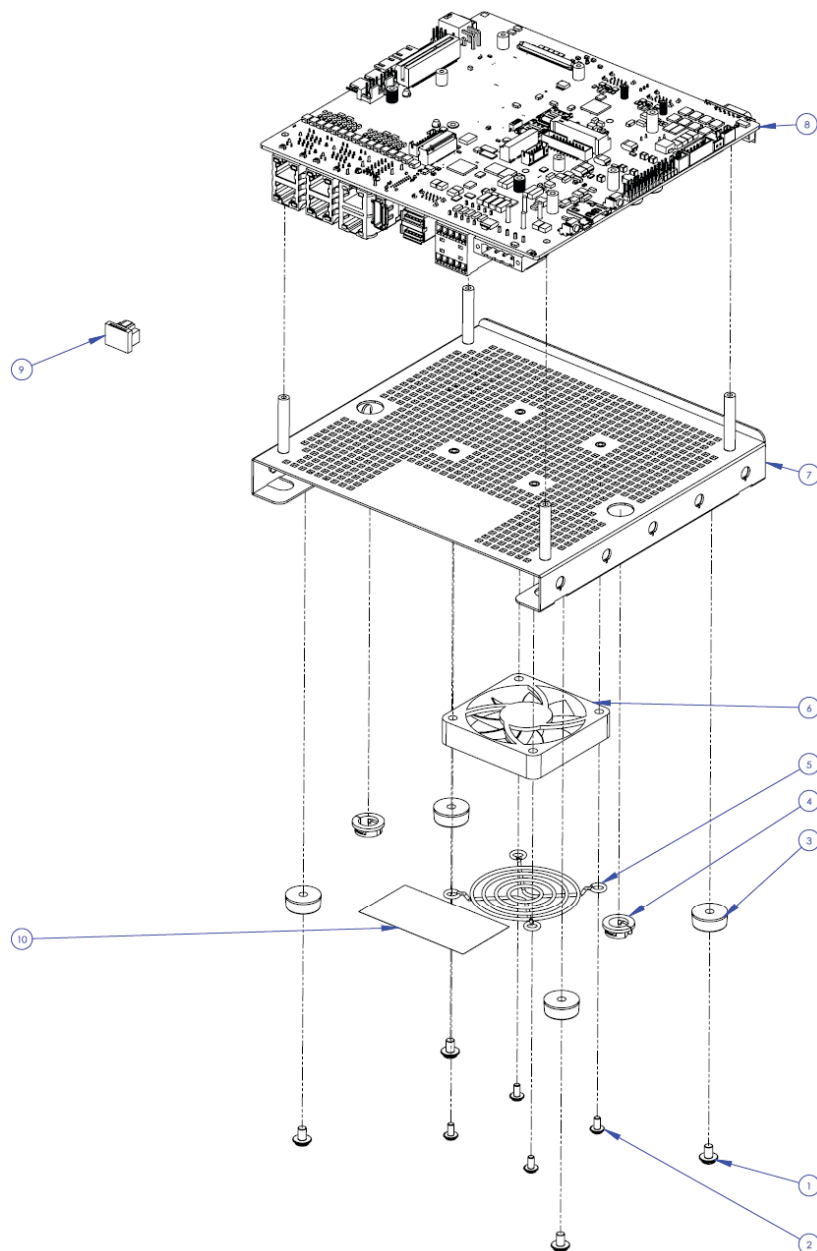
Mounting bracket (1960110505N001, MOUNTING Bracket for MIC-713 Powder 432C)



4.3 Solution Kit Exploded Diagram

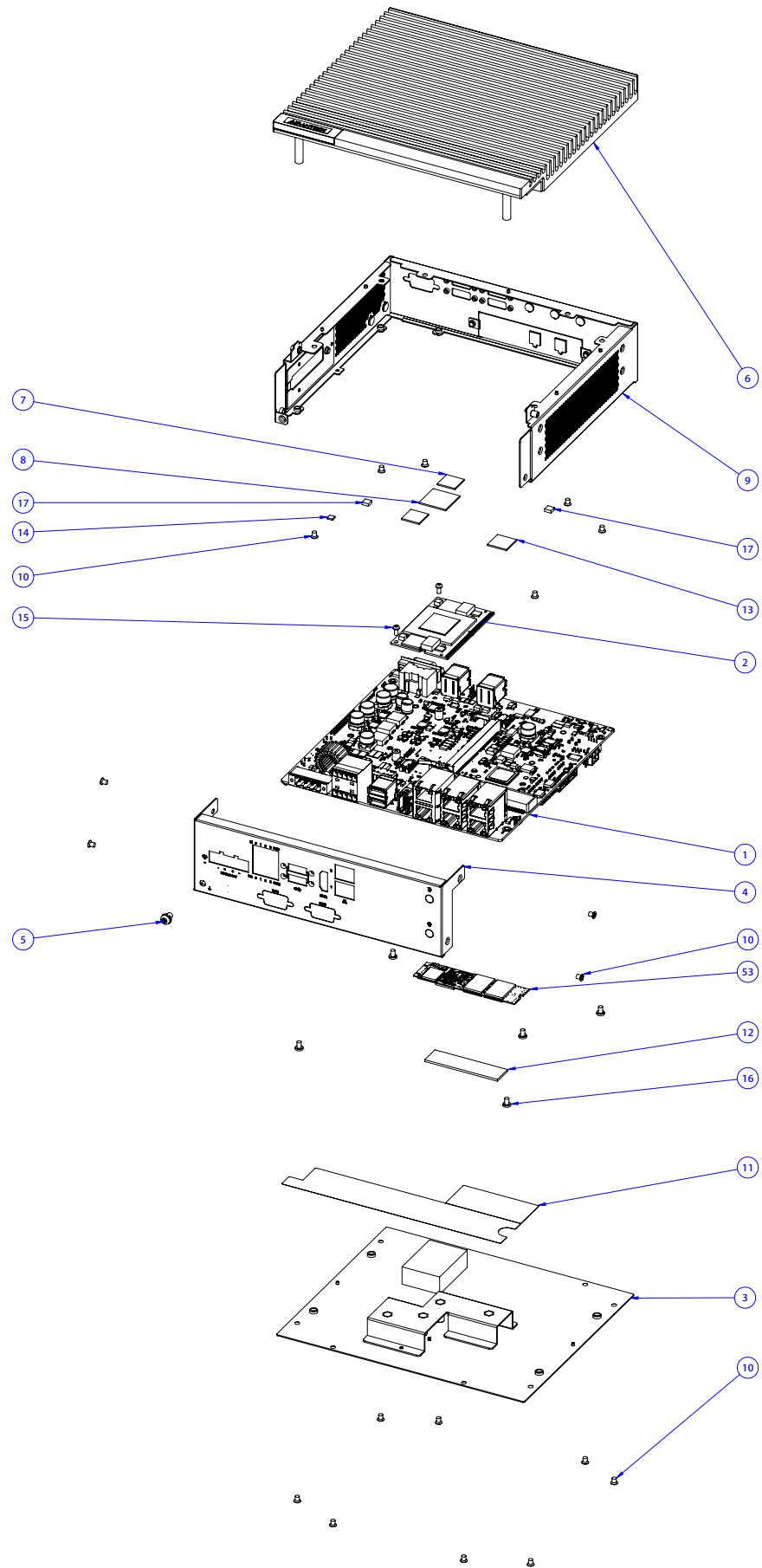
Table 4.1: Solution kit exploded diagram

Item	Advantech PN	Description	Q'ty
1	1939000410	Screw M4*6L R/S(W) D=9 H=3 + ST Ni	4
2	1930000013	Screw M3x6L R/S(W) D=5.5/7 H=2.2 (2+) ST Ni	4
3	1990012452S000	Rubber Foot (NF-005IST) FOR ARK-3400	4
4	1994000040	Wire mount (sa-1013a)for IPC-602 A1	2
5	1962675110	FAN GUARD 60*60mm IPC-6751 (MFG-06) A1	1
6	1750000323	FAN 60*60*13 5400R 0.36A 12V FOR ACP-2320	1
7	1960109252N001	DEV KIT Bracket for MIC-713 Powder 432C	1
8	96920071300	MIC-713_CB A101-2	1
9	1990000755S000	RJ45 COVER PINGOOD EBPC-5250 A1 NET-01-PPB	1
10	2000035349	Product Label FP MIC-713_PG00 A1	1



4.4 System Exploded Diagram

Item	Advantech PN	Description	Q'ty
1	96920071310	MIC-713_CB A101-2 (2 LAN PORT)	1
2	968DD00271	NVIDIA Jetson Orin NX-16G	1
3	1960110398N001	Bottom Cover for MIC-713 Powder 432C	1
4	1950027792N011	Front Panel U WO PSE for MIC-713 Powder 432C	1
5	1935140630	R/S(TW) D=8.2 H=3.4 + M4*6L ST Zmc-3	1
6	1970005636T001	HS R3 Other 25W 195x174.3x19.65 mm SCCPU	1
7	1990027474N020	Thermal-Pad 13.9x13.9x1mm TP K=8 Eapus PG80B	2
8	1990029568N010	Thermal-Pad 21x21x1mm TP K=8 Eapus PG80B	1
9	1950027791N001	Main Chassis U for MIC-713 Powder 432C	1
10	1930007979	Screw M3X4L S/S D=4.8 H=1 (2+) ST/H BZn	21
11	1990040228N000	MB Mylar for MIC-713	1
12	1990019167N000	Thermal-Pad 57x15x1.5 K=6 TP GR-Hm Fujipoly	1
13	1990022440N000	Thermal pad 15x15x1.0mm GR-Hm k=6 DES-SE06	1
14	1990035259N000	Thermal-pad 4X4X1mm K=6 TP GR-HM DMS-SA53	1
15	1935000100	Screw M2.5x5L R/S D=4.5 H=1.7 (1+) ST Ni	2
16	1930005673-11	Screw M3x4.5L F/S D=5.5 H=1.5 + ST Ni NK M9Bot	5
17	1990019402N000	THERMAL PAD 5x5x2.0mm GR-Hm K=6 FPM-3121G	2
18	SQF-C8MV2-128GDEDM	SQF M.2 2280 720-D 128G 3D TLC BiCS5 (-20~85°C)	1



ADVANTECH

Enabling an Intelligent Planet

www.advantech.com

Please verify specifications before quoting. This guide is intended for reference purposes only.

All product specifications are subject to change without notice.

No part of this publication may be reproduced in any form or by any means, such as electronically, by photocopying, recording, or otherwise, without prior written permission from the publisher.

All brand and product names are trademarks or registered trademarks of their respective companies.

© Advantech Co., Ltd. 2023

用户手册

MIC-713

AI 推理系统，搭配 NVIDIA®
Jetson Orin NX™ /Orin Nano™

ADVANTECH

Enabling an Intelligent Planet

版权声明

随附本产品发行的文件为研华公司 2023 年版权所有，并保留相关权利。针对本手册中相关产品的说明，研华公司保留随时变更的权利，恕不另行通知。未经研华公司书面许可，本手册所有内容不得通过任何途径以任何形式复制、翻印、翻译或者传输。本手册以提供正确、可靠的信息为出发点。但是研华公司对于本手册的使用结果，或者因使用本手册而导致其它协力厂商的权益受损，概不负责。

认可声明

NVIDIA 为 NVIDIA Corporation 的商标。

所有其他产品名或商标均为各自所属方的财产。

产品质量保证（两年）

从购买之日起，研华为原购买商提供两年的产品质量保证。但对那些未经授权的维修人员维修过的产品并不进行质量保证。研华对于不正确的使用、灾难、错误安装产生的问题有免责权利。

如果研华产品出现故障，在质保期内我们提供免费维修或更换服务。对于出保产品，我们将会酌情收取材料费、人工服务费用。请联系您的销售人员了解详细情况。

如果您认为您购买的产品出现了故障，请遵循以下步骤：

1. 收集您所遇到的问题信息（例如，CPU 主频、使用的研华产品及其它软件、硬件等）。请注意屏幕上出现的任何不正常信息显示。
2. 打电话给您的供货商，描述故障问题。请借助手册，产品和任何有帮助的信息。
3. 如果您的产品被诊断发生故障，请从您的供货商那里获得 RMA (Return Material Authorization) 序列号。这可以让我们尽快地进行故障产品的回收。
4. 请仔细地包装故障产品，并在包装中附上完整的售后服务卡片和购买日期证明（如销售发票）。我们对无法提供购买日期证明的产品不提供质量保证服务。
5. 把相关的 RMA 序列号写在外包装上，并将其运送给销售人员。

符合性声明

FCC A 级

注意：根据 FCC 规则第 15 款，本设备已经过检测并被判定符合 A 级数字设备标准。这些限制旨在为商业环境下的系统操作提供合理保护，使其免受有害干扰。本设备会产生、耗费和发射无线电频率能量，如果没有按照手册说明正确安装和使用，可能会对无线电通讯造成有害干扰。此时，用户需自行解决干扰问题。

料号：2002071300

台湾印刷

第一版

2023 年 9 月

包装清单

安装之前，用户需确认包装中含有下面所列各项。如果有任何项目与列表不符，请立即联系您的经销商。

- 1 x MIC-713
- 1 x 电源接头 (4P)
- 2 x DI/D0 接头 (5P)
- 2 x 支架
- 1 x 中国 ROHS 档
- 1 x 手册 (在线下载)
- 1 x Micro USB 线材 (系统恢复)

兼容设备列表

类型	Advantech PN	供应商	部件描述	备注
解决方案工具包	MIC-713S-ON3A1	Advantech	MIC-713S 配备 NVIDIA Orin Nano 8GB 解决方案工具包	Orin Nano 8GB ADV PN is 968DD00349
	MIC-713S-ON2A1	Advantech	MIC-713S 配备 NVIDIA Orin Nano 4GB 解决方案工具包	Orin Nano 4GB ADV PN is 968DD00350
	MIC-713S-OX4A1	Advantech	MIC-713S 配备 NVIDIA Orin NX 16GB 解决方案工具包	Orin NX 16GB ADV PN: 968DD00271
	MIC-713S-OX3A1	Advantech	MIC-713S 配备 NVIDIA Orin NX 8GB 解决方案工具包	Orin NX 8GB ADV PN: 968DD00270
系统	MIC-713-ON3A1	Advantech	MIC-713 配备 NVIDIA Orin Nano 8GB AI 系统	Orin Nano 8GB ADV PN is 968DD00349
	MIC-713-ON2A1	Advantech	MIC-713 配备 NVIDIA Orin Nano 4GB AI 系统	Orin Nano 4GB ADV PN is 968DD00350
	MIC-713-OX4A1	Advantech	MIC-713 配备 NVIDIA Orin NX 16GB AI 系统	Orin NX 16GB ADV PN: 968DD00271
	MIC-713-OX3A1	Advantech	MIC-713 配备 NVIDIA Orin NX 8GB AI 系统	Orin NX 8GB ADV PN: 968DD00270
Mini PCIe 插槽 (信号: PCIe Gen3 x1 + USB 2.0)	Y5A710G002-96	Sierra	Sierra WP7611 配备 AT&T FW	4G LTE 卡
	EWM-C109F6G1E	ZonBEST	6-band HSPA 蜂窝模块, SIM 卡座连接器+GPS	4G LTE 卡
	PCM-24R2PE-AE	Advantech	Intel i350, GbE, PoE IEEE 802.3af, PD, RJ45 x 2	2 Ports PoE GbE lan 卡
M.2 2280 插槽 (信号: PCIe Gen4 x1)	SQF-C8MV2-128GDEDM	Advantech	SQF M.2 2280 720-D 128G 3D TLC BiCS5 (-20~85° C)	
	SQF-C8BV2-256GDEDM	Advantech	SQF M.2 2280 720-D 256G 3D TLC BiCS5 (-20~85° C)	
	SQF-C8MV4-512G-EDE	Advantech	SQF M.2 2280 720 512G 3D TLC BiCS3 (-40~85° C)	
M.2 3052 插槽 (信号: USB 2.0 + USB 3.2)	AIW-355DQ-E01	Advantech	5G (Sub-6G)/LTE/WCDMA 模块, GNSS, 用于欧洲	
	TBD	Sierra	5G NR Sub-6 GHz 模块	EM9291
MIPI 插槽	968DD00294	YUAN	2ch GMSL SW 视频卡	
PCIe 插槽 (PCIe Gen4 x4 插槽, x4 信号)	PCIE-2221NP-00A1E	Advantech	2-port 10GBase-T NIC w Intel X550	PCIe x4 lan 卡
	PCIE-2201E	Advantech	PCIe 2 ports SFP+ 82599ES	PCIe x8 lan 卡
	PCE-USB4-00A1E	Advantech	PCIe x4, 4-port USB 3.0 扩展卡	PCIe x4 USB3.0 卡

Micro SD 卡	SQF-MSDV1-64GDD2C	Advantech	SQF MICRO SD C10 3D TLC 64G (-25~85° C)	
PoE 板	98917330010	Advantech	MIC-733 PoE 板, 配备包装 96917330010	仅限 MIC-713 系 列 5 lan sku
TPM 模块	PCA-TPMSPI-00A1	Advantech	TPM 2.0 模块 by SPI, 用于 CPU 卡, A101-1	

备注：兼容设备列表所列之设备可能会因厂商之产品时程规画终结而无法于市面上购买到，研华将不另行因此情形而另发通知，请径自向研华相关业务人员洽询更新之情形。

产品信息

如需本产品或研华其它产品的更多信息，请访问我们的网站：

<http://www.advantech.com>

如需技术支持与服务，请访问 MIC-713 的技术支持网站：

https://www.advantech.com/en/products/ai-computer-systems/sub_965e4edb-fb98-429e-89ed-9a0a8435a7be

请在网站上注册您的产品并免费获得 2 个月的延长保固：

<http://www.register.advantech.com>

安全指示

1. 请仔细阅读此安全操作说明。
2. 请妥善保存此用户手册供日后参考。
3. 用湿抹布清洗设备前，请从插座拔下电源线。请不要使用液体或去污喷雾剂清洗设备。
4. 对于使用电源线的设备，设备周围必须有容易接触到的电源插座。
5. 请不要在潮湿环境中使用设备。
6. 请在安装前确保设备放置在可靠的平面上，意外跌落可能会导致设备损坏。
7. 设备外壳的开口是用于空气对流，从而防止设备过热。**请不要覆盖这些开口。**
8. 当您连接设备到电源插座上前，请确认电源插座的电压是否符合要求。
9. 请将电源线布置在人们不易绊到的位置，并不要在电源线上覆盖任何杂物。
10. 请注意设备上的所有警告标识。
11. 如果长时间不使用设备，请将其同电源插座断开，避免设备被超标的电压波动损坏。
12. 请不要让任何液体流入通风口，以免引起火灾或者短路。
13. 请不要自行打开设备。为了确保您的安全，请由经过认证的工程师来打开设备。
14. 如遇下列情况，请由专业人员来维修：
 - 电源线或者插头损坏；
 - 设备内部有液体流入；
 - 设备曾暴露在过于潮湿的环境中使用；
 - 设备无法正常工作，或您无法通过用户手册来使其正常工作；
 - 设备跌落或者损坏；
 - 设备有明显的外观破损。

免责声明：该安全指示符合 IEC 704-1 的要求。研华公司对其内容的准确性不承担任何法律责任。

安全措施 – 静电防护

为了保护您和您的设备免受伤害或损坏。请遵照以下安全措施：

- 操作设备之前，请务必断开机箱电源，以防触电。不可在电源接通时接触 CPU 板或其它板上的任何组件。
- 在更改任何配置之前请断开电源，以免在您连接跳线或安装卡时，瞬间电涌损坏敏感电子组件。

目录

第 1 章	产品信息	1
1.1	产品简介	2
1.2	产品特点	2
1.2.1	主要特点	2
	表 1.1: 处理器	2
1.3	机械规格	3
1.4	电源规格	4
1.5	环境规格	4
第 2 章	系统接口信息	5
2.1	MIC-713 系统接口信息	6
2.2	介面	7
2.2.1	电源指示灯	7
2.2.2	4 路数码输入 / 数码输出端口	8
	表 2.1: 隔离式数码输入	8
	表 2.2: 隔离式数码输出	8
2.2.3	USB3.2	9
2.2.4	网络	10
	表 2.3: 网络	10
2.2.5	系统接地连接	11
2.2.6	直流电输入接头	11
2.2.7	HDMI 接头	12
2.2.8	线性输出与麦克风接头 (选购)	12
2.2.9	串口 (选购)	13
2.2.10	控制器局域网络接口	14
	表 2.4: 控制器局域网络接口	14
2.2.11	反级性天线安装半冲断孔	15
第 3 章	主板组件配置信息	17
3.1	MIC-713 主板组件配置信息	18
3.1.1	主板方块图	19
3.1.2	iDoor 模块专用电源接头	20
3.1.3	PCIe 扩充卡电源接头	20
3.1.4	麦克风与线性输出接头	21
3.1.5	串行端口接头与指拨开关	22
	表 3.1: COM 端口开关设置	22
3.1.6	SATA 硬盘 / 固态硬盘电源接头	23
3.1.7	4-pin 风扇接头	24
3.1.8	PCI Express 扩充插槽	25
3.1.9	M.2 3052 指拨开关	26
	表 3.2: M.2 3052 指拨开关	26
3.1.10	PoE 升级套件 (选购品) 相关接头	27
3.1.11	M.2 3052 与相关之 SIM 卡槽	28
3.1.12	Mini PCIe 与相关之 SIM 卡槽	29
3.1.13	M.2 2242/2280 卡槽	29
3.1.14	信赖平台模块 2.0 接头	30
3.1.15	还原按钮 / 重启按钮 / Micro USB 接头	31
3.1.16	Micro SD 卡槽	32
3.1.17	GPIO 扩展接头	32
	表 3.3: GPIO 扩展接头	32
3.1.18	通用非同步收发传输器接头	34

表 3.4:	通用非同步收发传输器接头	34
3.1.19	Allxon 模块专用电源 / 控制接头	35
表 3.5:	Allxon 模块专用电源 / 控制接头	35
3.1.20	AT/ATX 电源模式调整跳帽	36
表 3.6:	PSON1	36
3.1.21	控制器区域网络指拨开关	37
表 3.7:	控制器区域网络指拨开关	37
3.1.22	行动产业处理器适配卡槽	38

第 4 章 系统安装 39

4.1	卸除底盖	40
4.2	安装支架	41
4.3	解决方案套件爆炸图	44
	表 4.1: 解决方案套件爆炸图	44
4.4	标准系统爆炸图	45
	表 4.2: 标准系统爆炸图	45

第 1 章

产品信息

1.1 产品简介

MIC-713 搭载 NVIDIA® Jetson Orin NX™ 或是 Orin Nano™，是边缘 AI 运算应用的理想选择。MIC-713 标准系统提供 2 个网络接口、1 个 HDMI 用于连接影像输出、4 路数码输入与 4 路数字输出、2 个 RS-232/RS-422/RS-485（以 pin header 的形式预留于机器内部）、外部留有 6 个 USB3.2、内部则有 1 个 Micro USB 用于系统还原、1 个 mini-PCIE（讯号：PCIe + USB）、1 个 M.2 2280 NVMe(Signal: PCIe x1) 以及 1 个工储存数据用的 Micro SD 卡槽。另外，MIC-713 支持 iDoor 与 iModule 藉以提供更多的整合与使用弹性。

1.2 产品特点

1.2.1 主要特点

1.2.1.1 处理器

表 1.1: 处理器

模块内存	Orin NX	Orin Nano	
CPU	4G	-	ARM Cortex-A78AE CPU (6核)，(TDP 高达 10 W, 1.5 GHz)
	8G	ARM Cortex-A78AE CPU (6 核)，(TDP 高达 20 W, 2 GHz)	ARM Cortex-A78AE CPU (6 核)，(TDP 高达 15 W, 1.5 GHz)
	16G	16GB (ONX 16GB) -ARM Cortex-A78AE CPU (8 核) (TDP 高达 - 25W, 2 GHz)	
GPU	4G	-	512 核 NVIDIA Ampere GPU, 配备 16 Tensor 内核 (频率高达 625 MHz)
	8G	1024 核 NVIDIA Ampere GPU, 配备 32 Tensor 核心 (频率高达 765 MHz)	1024 核 NVIDIA Ampere GPU, 配备 32 Tensor 内核 (频率高达 625 MHz)
	16G	1024 核 NVIDIA Ampere GPU, 配备 32 Tensor 核心 (频率高达 918 MHz)	

1.2.1.2 网络接口

- 2 x 10/100/1000 Mbps (标准系统)
- 5 x 10/100/1000 Mbps (解决方案套件), 在搭配 PoE 功能升级套件*后, 其中 4 个网络接口可分别支持 PoE 功能至 15.4W (IEEE 802.3 AF), 或是其中 2 个网络接口可分别支持 PoE 功能至 30W (IEEE 802.3 AT)。

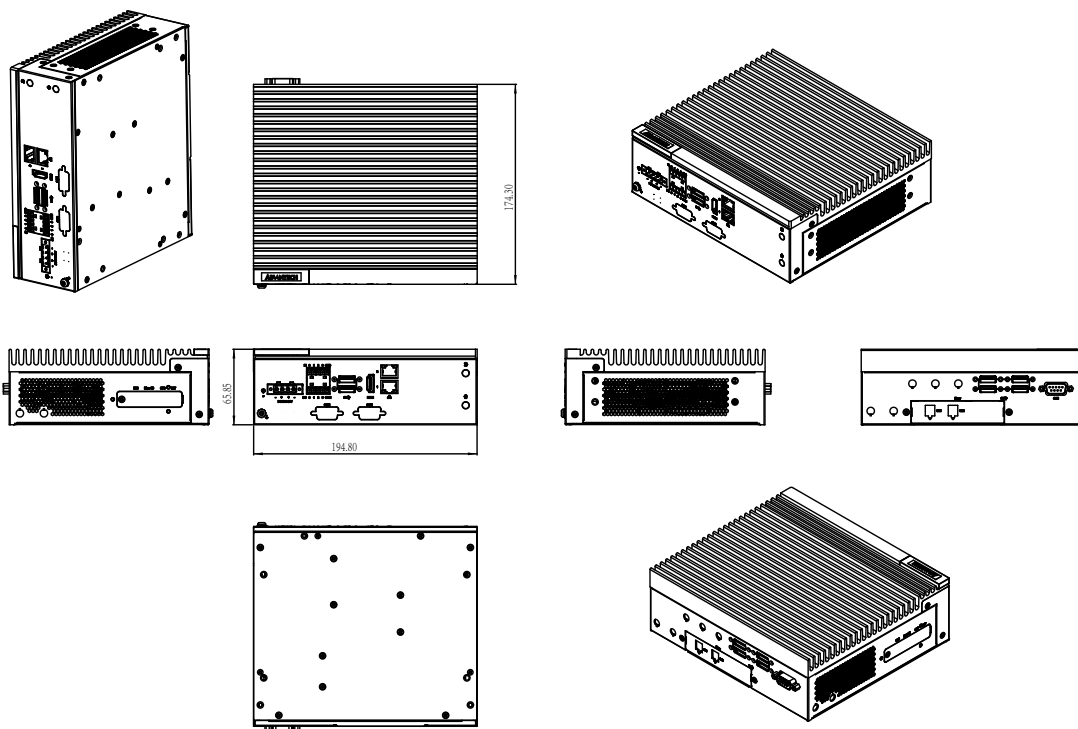
*备注: PoE 功能升级套件 (研华料号为98917330010) 需另外依据需求选购, 其最大可支持至 60W 输出。

1.2.1.3 系统外围接口

- 1 x HDMI 2.0 (最高分辨率 3840x2160 @60Hz)
- 6 x USB 3.2 Gen 2
- 1 x USB 2.0 (系统内部, Micro USB 接头供 OTG 用途)
- 1 x 4 路数码输入接口 & 1 x 4 路数码输出接口
- 2 x RS-232/RS-422/RS-485 (以 pin header 的形式预留于机器内部)
- 1 x MiniPCIe 卡槽 (讯号: PCIe x1+USB)
- 1 x iDoor space
- 1 x M.2 2280 NVMe 卡槽 (讯号: PCIe x1)
- 1 x M.2 3052 卡槽 (讯号: USB)
- 1 x Micro SD 卡槽
- 2 x NANO SIM 卡槽 (供相对应之 Mini PCIe & M.2 3052 卡片使用)

1.3 机械规格

- 标准系统尺寸: 194.8 x 174.3 x 65.85 mm (7.67" x 6.86" x 2.59")
- 参考重量: 2.05 kg(不含包材)



1.4 电源规格

- 电源类型: AT/ATX
- 电源输入: DC 9-36 V, 15-5.6 A

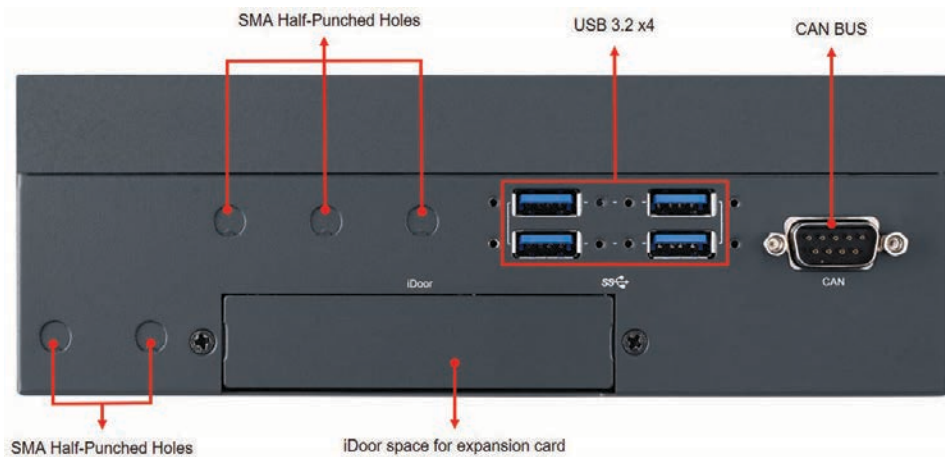
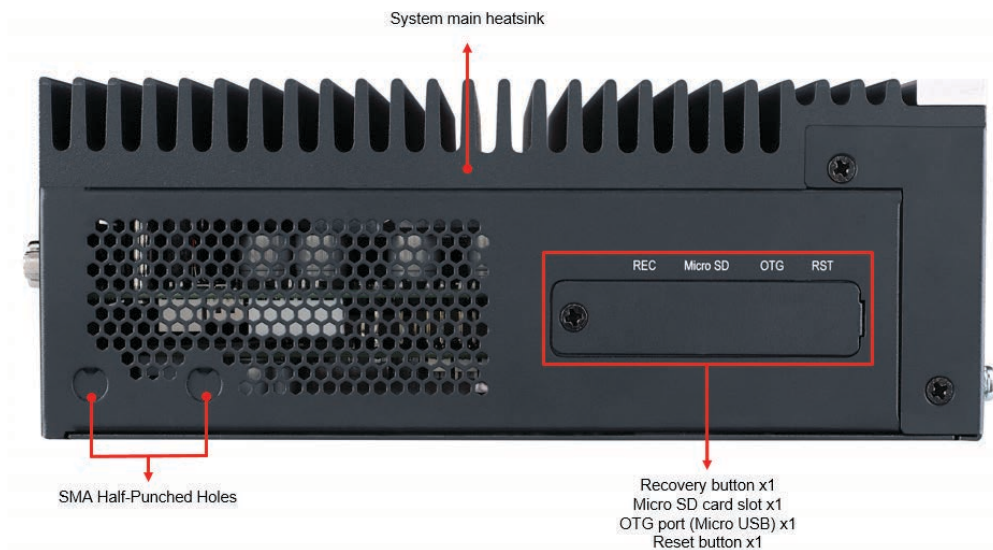
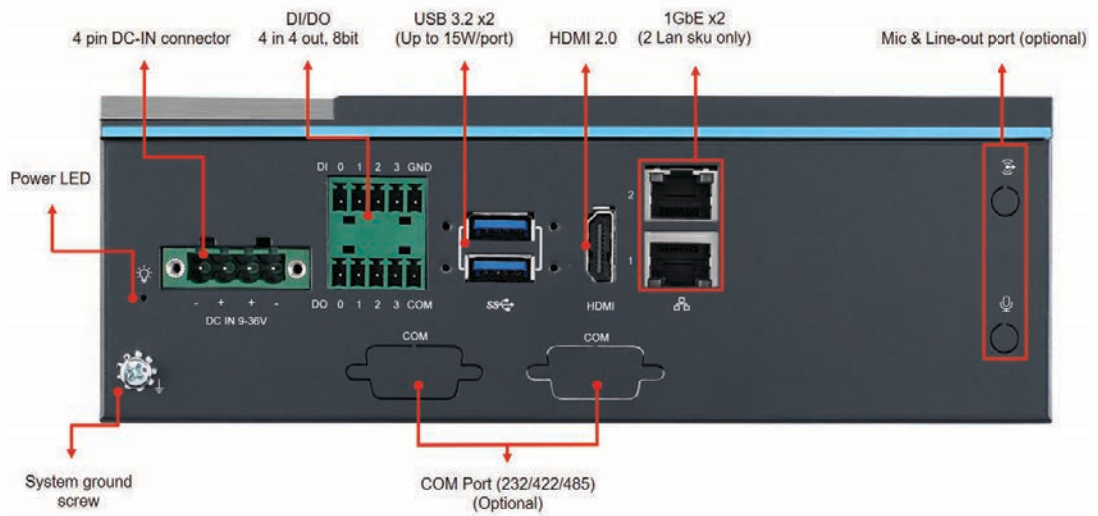
1.5 环境规格

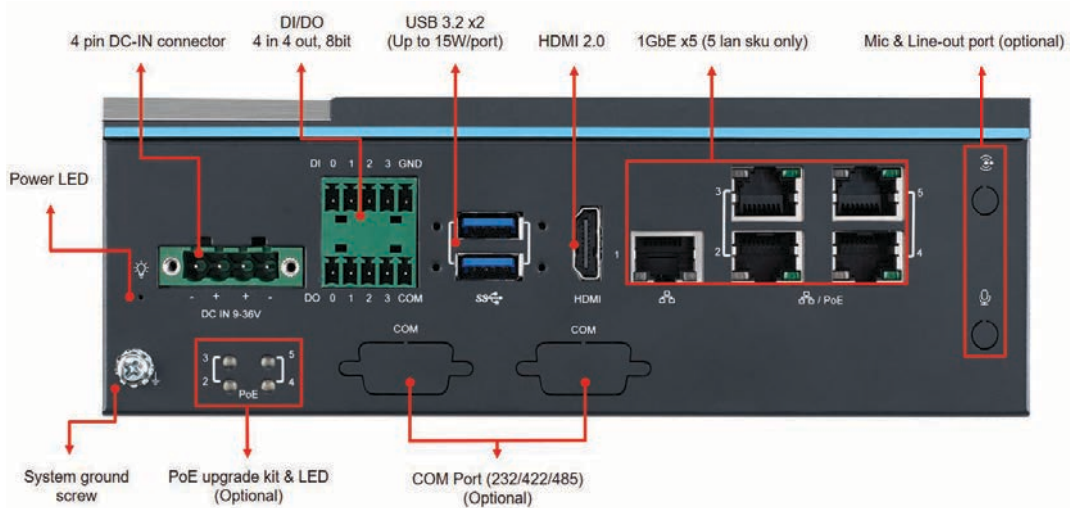
- 工作温度: $-10 \sim 60^{\circ}\text{C}$ ($14 \sim 140^{\circ}\text{F}$)*
- 工作湿度: 95% @ 40°C (非冷凝)
- 储存温度: $-40 \sim 85^{\circ}\text{C}$ ($-40 \sim 185^{\circ}\text{F}$)
- 储存湿度: 60°C @ 95% RH, 无凝结

第 2 章

系统接口信息

2.1 MIC-713 系统接口信息

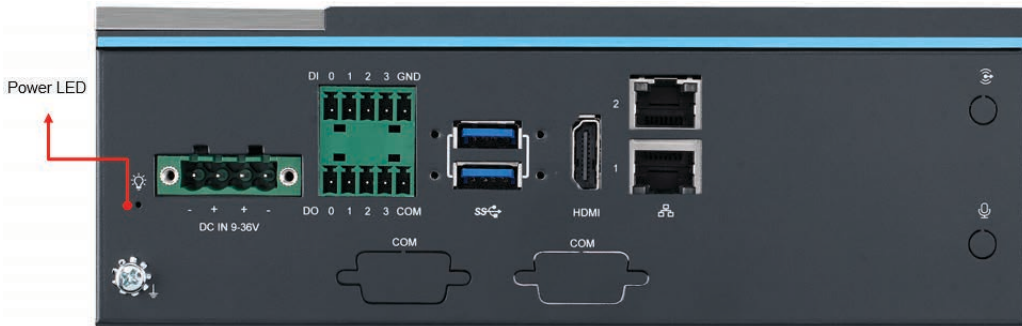




2.2 介面

2.2.1 电源指示灯

MIC-713 前面板设有电源开 / 关指示灯，该灯可指示系统开机状态（绿色 LED）和系统关机 / 休眠状态（红色 LED）。



2.2.2 4 路数码输入 / 数码输出端口

MIC-713 在本机前面板提供了一组支持隔离式 4 路数码输入与 4 路数码输出的接头。

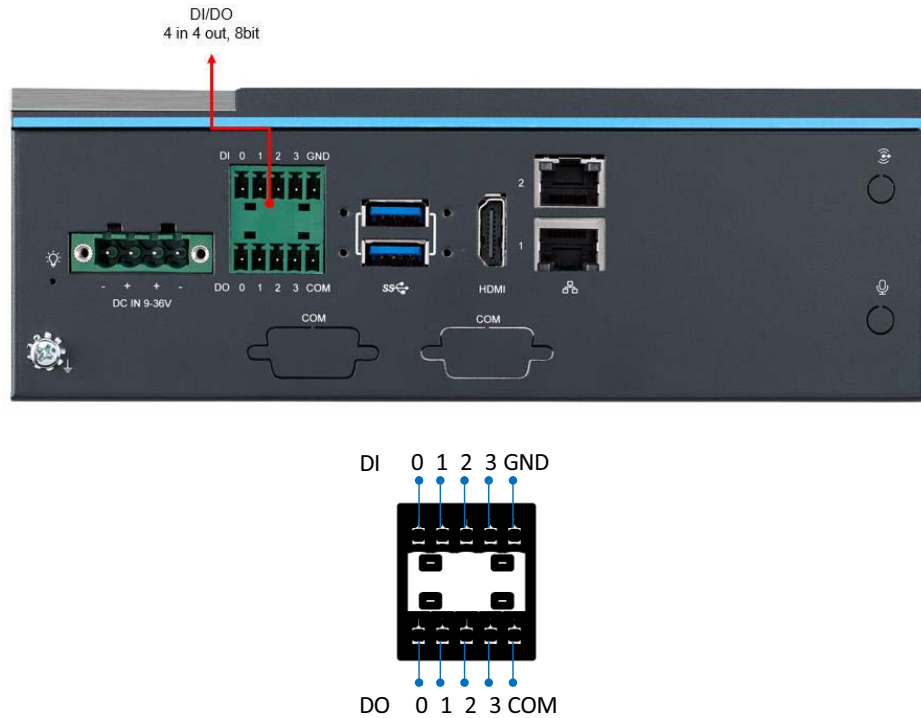


表 2.1: 隔离式数码输入

Number of Input Channels	4
Optical Isolation	2500 V _{DC}
Input Voltage	<ul style="list-style-type: none"> ■ Dry contact: Logic1: Open Logic0: Close to ground ■ Wet contact: V_{IH}(max.)=60 V_{DC} V_{IH}(min.)= 5 V_{DC} V_{IL}(max.)= 2 V_{DC}

表 2.2: 隔离式数码输出

Number of Output Channels	4
Optical Isolation	500 V _{DC}
Supply Voltage	Sink 40 V _{DC}
Sink Current	0.2A max./Channel

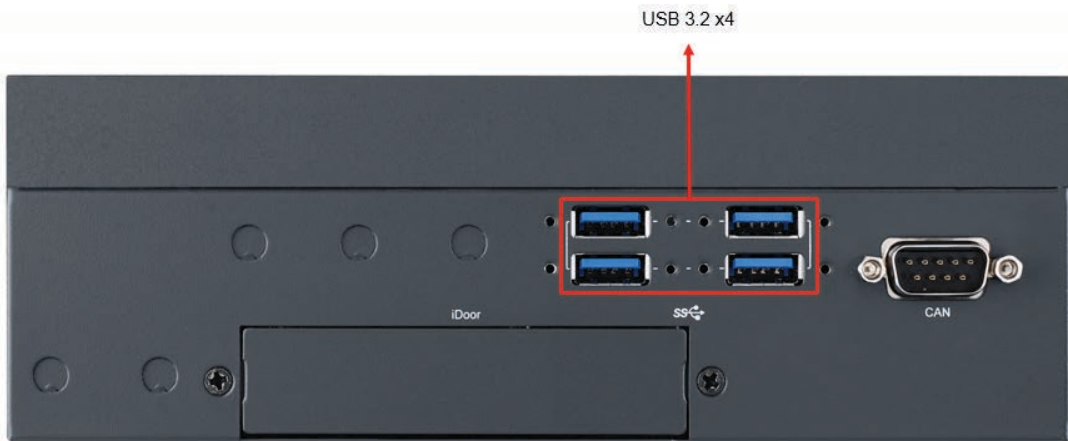
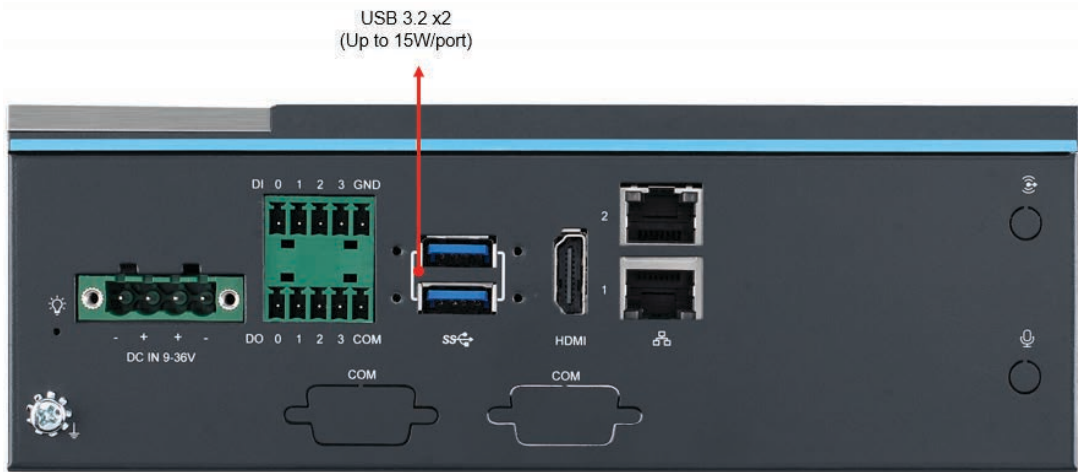
2.2.3 USB 3.2

MIC-713 在前面板上提供了 2 个 USB3.2 Gen2 以及在后面板上提供了 4 个 USB3.2 Gen2，建议选择 12V（或以上）/120W（或以上）电源适配器来使用。

在前面板上的 2 个 USB3.2 Gen2 接口可以提供最高至 15W/ 接口的电源输出。

在后面板上的 4 个 USB3.2 Gen2 接口可以提供最高至 4.5W/ 接口的电源输出。

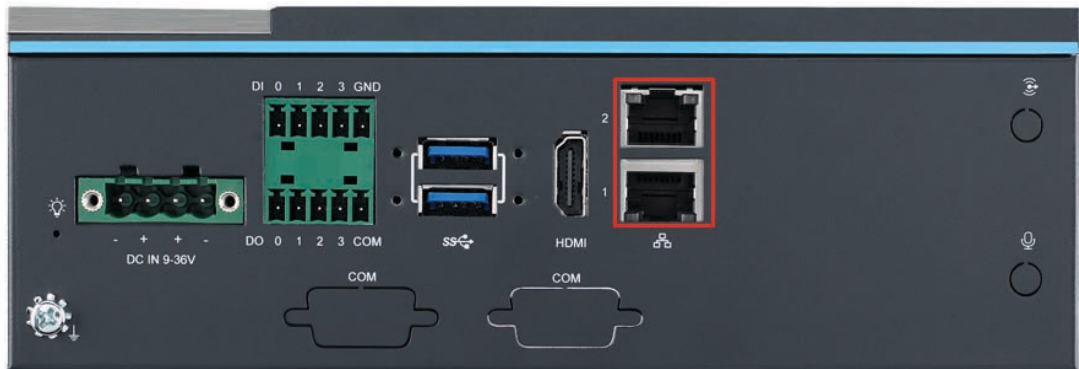
注！ 若使用 9V 适配器, 则 6 个 USB 接口仅可提供总额 30W 之输出。



2.2.4 网络

MIC-713 在本机前面板提供了两组 / 五组网络端口，其上方各有两个 LED 灯，绿色 LED 灯表示网络运作状态，绿橘双色灯表示网络速度。

2 lan SKU



5 lan SKU

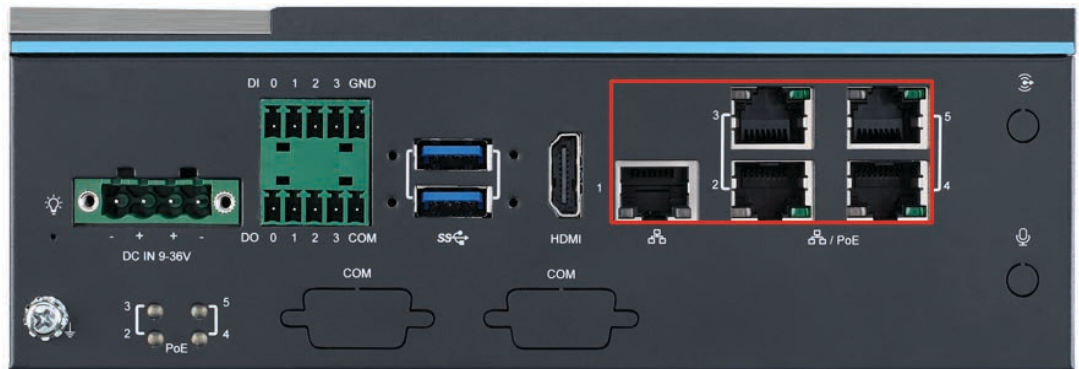


表 2.3: 网络

Green LED

OFF	ON	Blinking
LAN No connection	LAN Link	Activity on this port

Green-Amber LED

OFF	Green	Amber
Speed	Speed	Speed
10 Mbps	1G bps	100 Mbps

2.2.5 系统接地连接

请使用绿黄双色的接地线（16 AWG）并搭配系统接地螺丝确实接地。

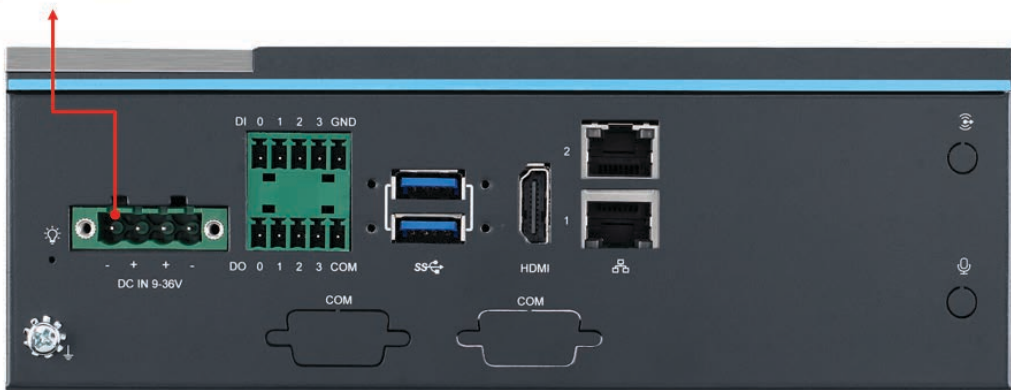


2.2.6 直流电输入接头

连接线使用直流电

1. 须由专业人员安装。
2. 只使用铜导体。
3. 需选择合适的线径。
4. 适合 14 AWG 的接线盒扭矩值为 7 lb in.
5. 系统运作容许电压范围为 9 V_{DC} 至 36 V_{DC}.
6. 系统运作容许电流范围为 15 A 至 5.6 A.

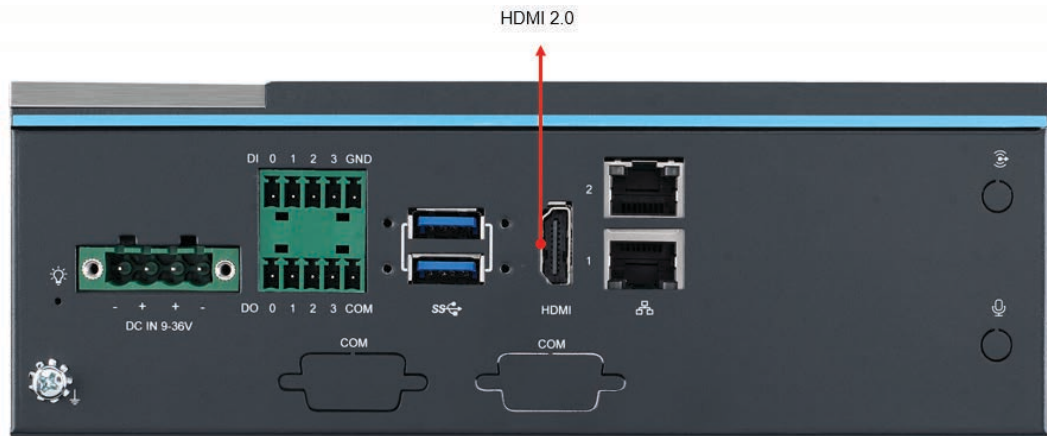
4 pin DC-IN connector



附注：若电源适配器仅提供 2 针 /3 针形式凤凰接头，可使用系统配件盒内随附的 4 针凤凰接头作更换使用

2.2.7 HDMI 接头

MIC-713 在前窗提供一个 Type-A 形式的 HDMI 2.0 接头供外接屏幕使用，其最高分辨率为 3840 x 2160 @60Hz。



2.2.8 线性输出与麦克风接头（选购）

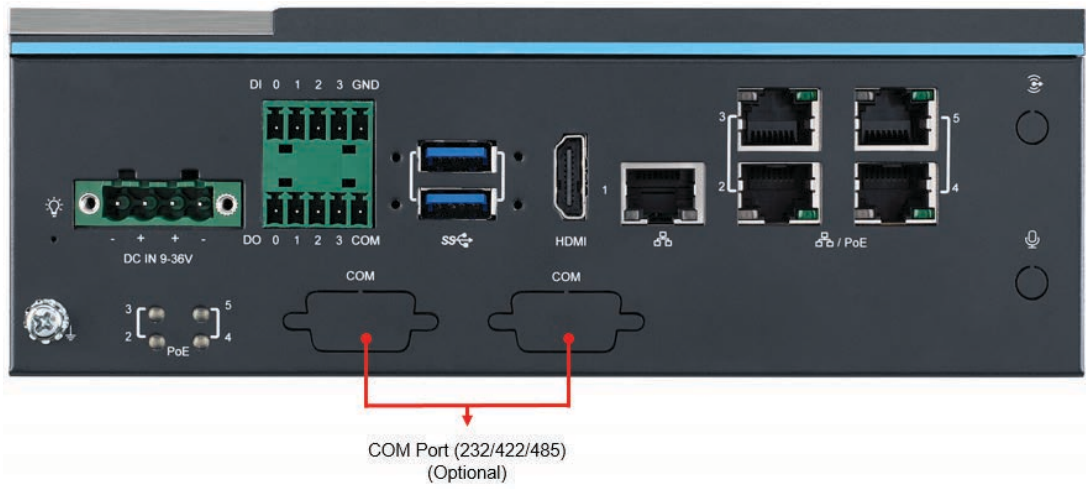
MIC-713 提供一个 3.5mm 形式的线性输出孔（仅供耳机使用）以及一个麦克风接孔，若有需要此功能，需另外选购研华料号 1700027920-01 之线材。



2.2.9 串口（选购）

MIC-713 提供 2 个 RS-232/422/485 串口可满足相对应需求，若需要此串口，需另外选购研华料号 1700019968 之线材。

针对此串口的指拨开关功能调整，请参阅 3.1.5 章节。



2.2.10 控制器局域网接口

MIC-713 提供一个 9 针形式之控制器区域网络 FD 接口，功能定义说明如下表。



表 2.4: 控制器局域网接口

Pin	Signal	Description
1	Reserved	No connection
2	CAN_L	CAN Low bus line
3	CAN_GND	CAN_GND
4	Reserved	No connection
5	CAN_Shield	CAN_Shield
6	CAN_GND	CAN_GND
7	CAN_H	CAN High bus line
8	Reserved	No connection
9	NC	No connection

2.2.11 反级性天线安装半冲断孔

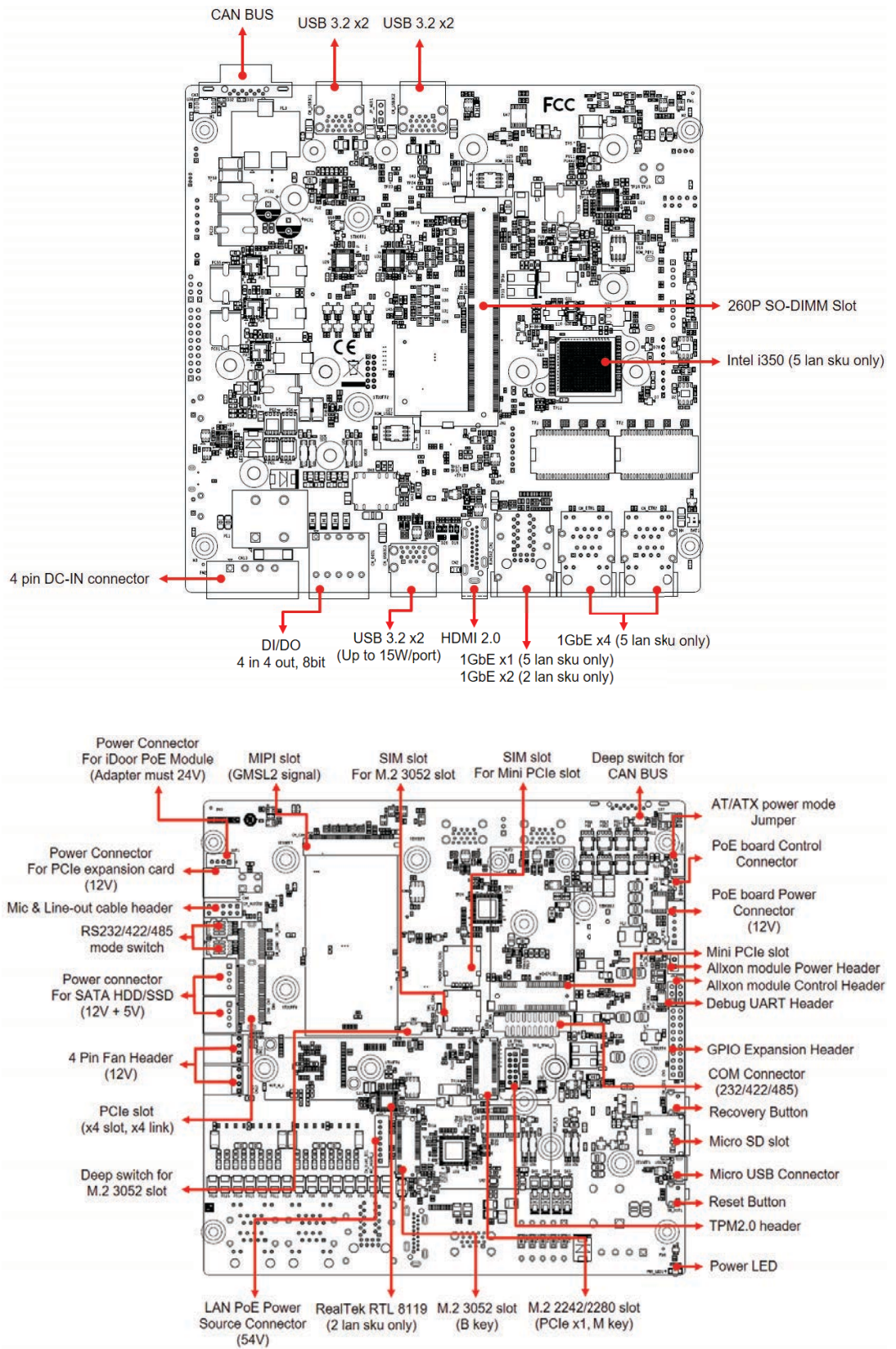
MIC-713 提供多至 7 个反级性天线安装半冲断孔，供给使用者针对其需求所要搭配安装之无线 / 蓝芽 / 全球卫星定位 / 4G/5G 功能卡片与天线使用。



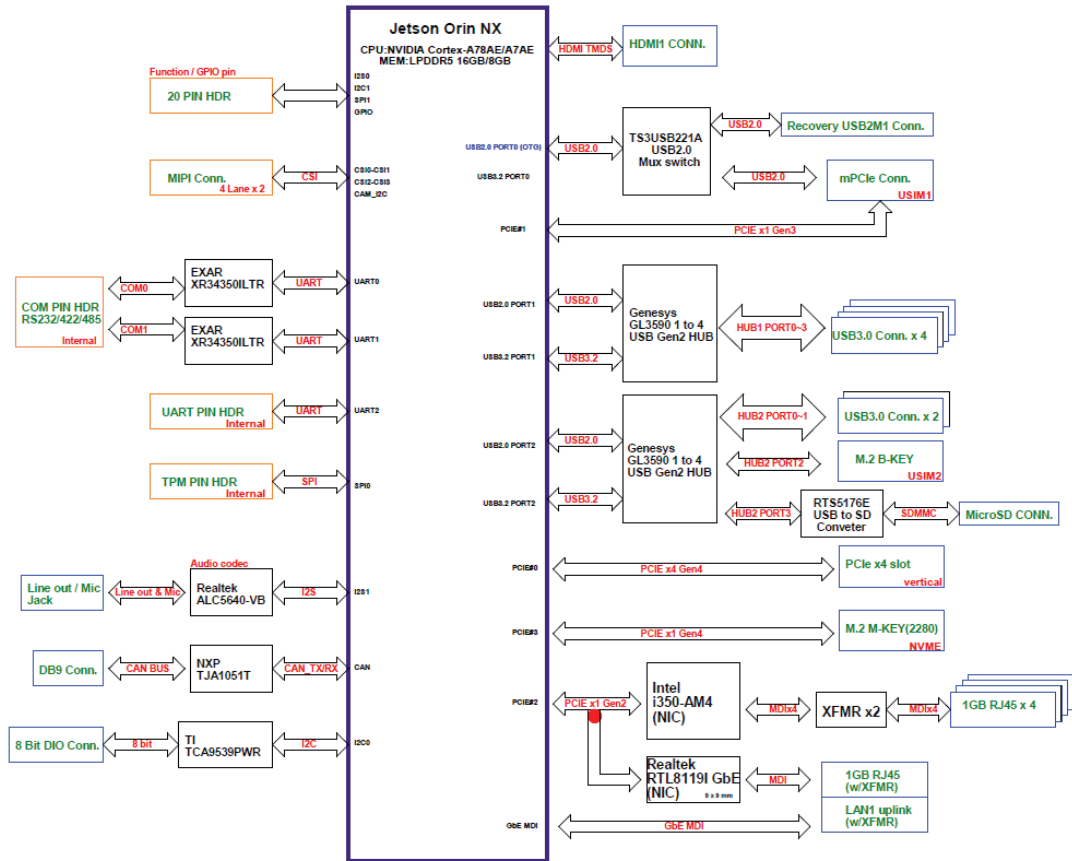
第 3 章

主板组件配置信息

3.1 MIC-713 主板组件配置信息



3.1.1 主板方块图



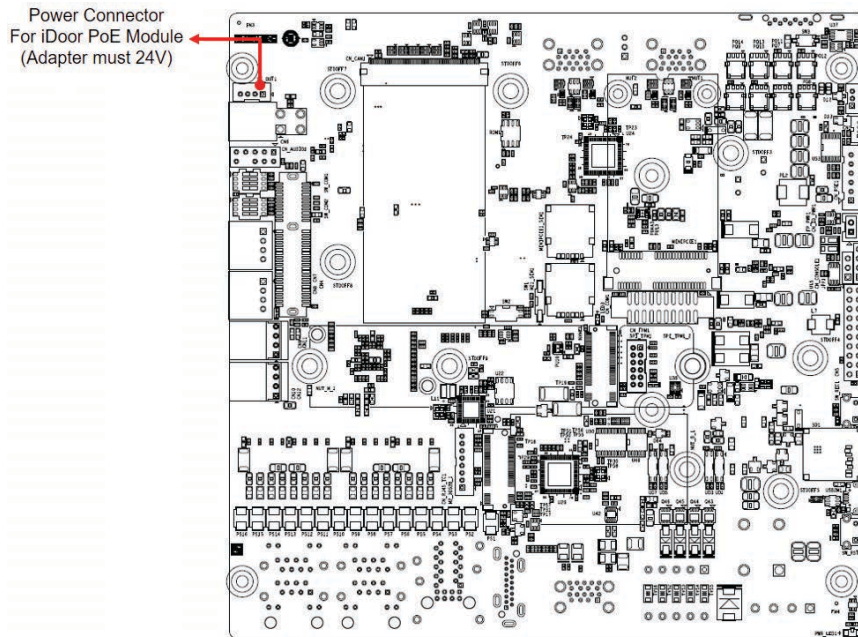
注:

1. Intel i350 仅用于 5 LAN SKU。
2. Realtek RTL8119L 仅用于 2 LAN SKU。

3.1.2 iDoor 模块专用电源接头

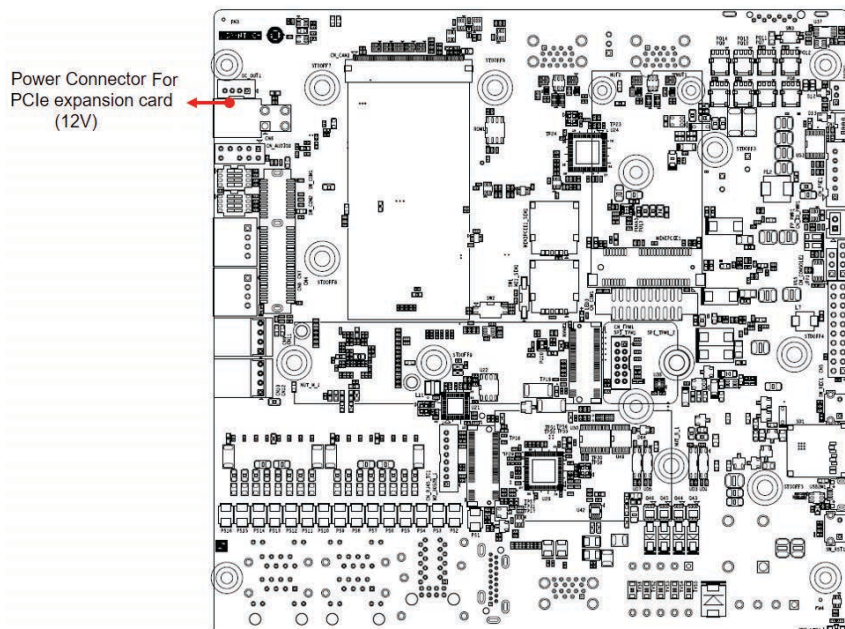
此接头为专门供给 iDoor 相关装置使用，此接头输出之电压将与供给主板 DC-IN 接头的电源电压相同。

若 iDoor 要安装 PoE 扩充卡片，请注意供给 DC-IN 接头的电压必须为 24 V_{DC}。



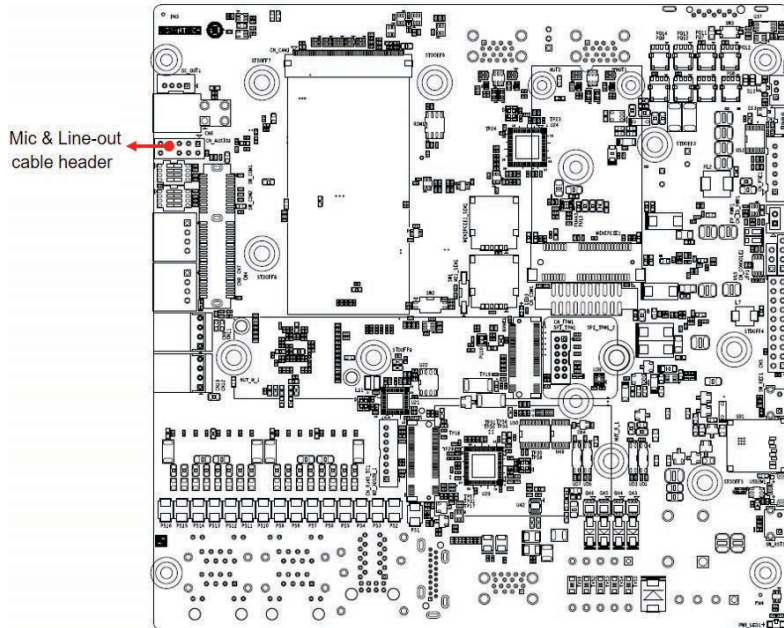
3.1.3 PCIe 扩充卡电源接头

此接头为专门供应额外 12 V 电源给 PCIe 扩展卡使用，供应上限为 25W。



3.1.4 麦克风与线性输出接头

若有需要使用到麦克风与线性输出功能，请搭配研华料号 1700027920-01 之产品使用，此产品需额外选购。



3.1.5 串行端口接头与指拨开关

以下表格为串口指拨开关之设定说明，默认值为 RS-232 模式。

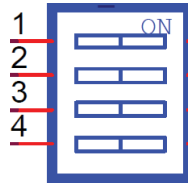
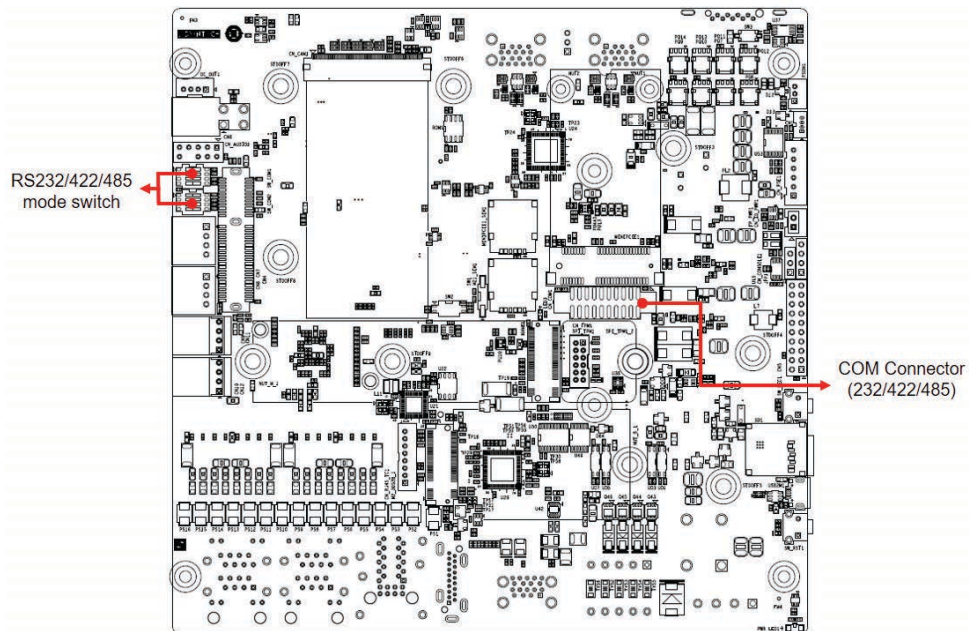


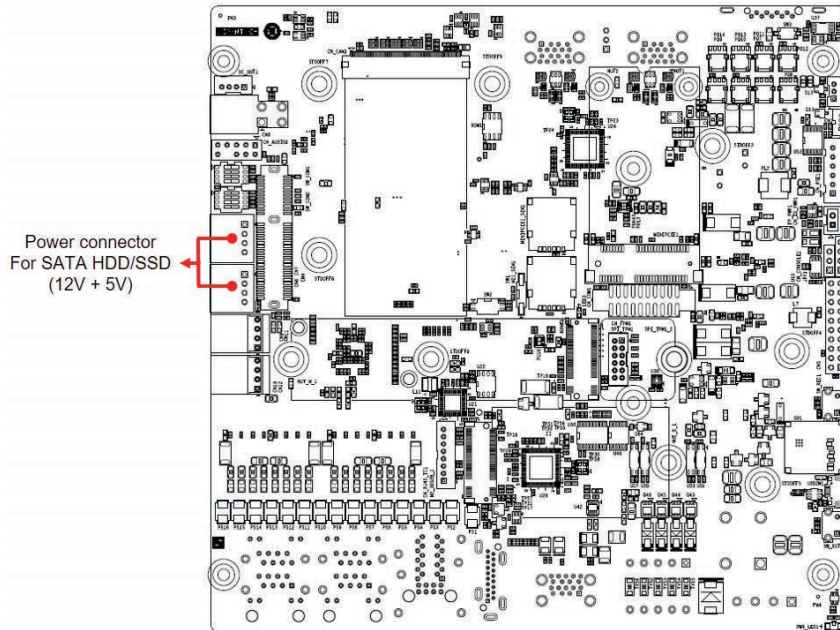
表 3.1: COM 端口开关设置

	Mode	Pin1	Pin2	Pin3	Pin4
SW_COM1	RS-232	OFF	OFF	OFF	OFF
SW_COM2	RS-422	ON	OFF	ON- Receiver Termination Enable	ON-Bypass RTS polarity
Setting	RS-485	ON	ON	OFF-Receiver Termination Disable	OFF-Invert RTS polarity



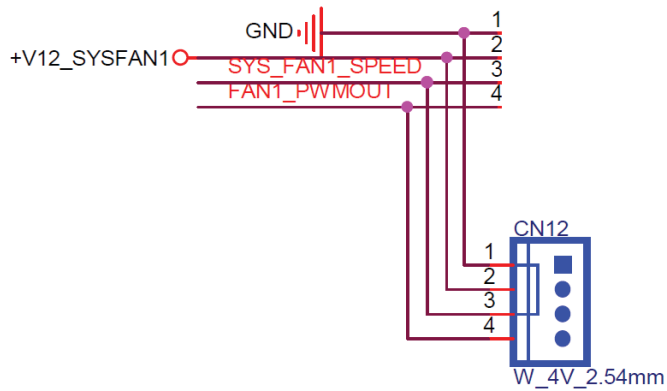
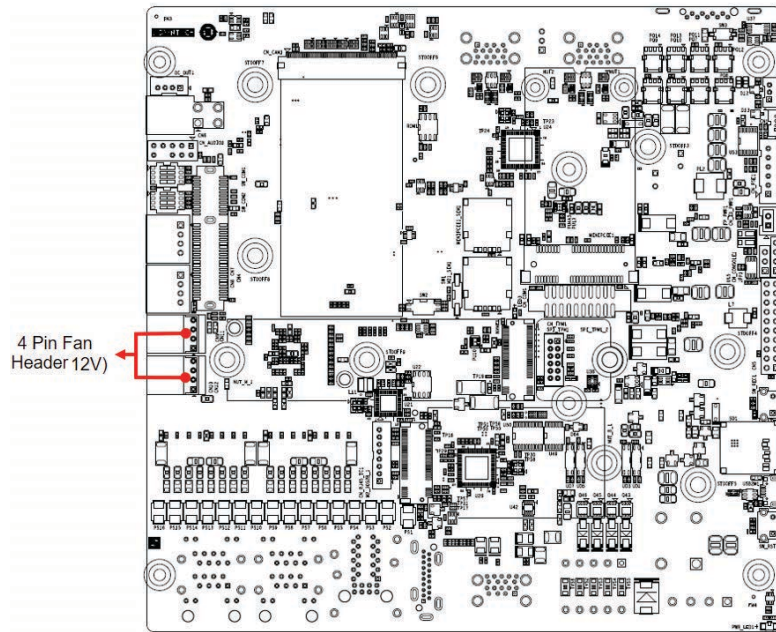
3.1.6 SATA 硬盘 / 固态硬盘电源接头

此接头可提供电源给 2.5 寸或 3.5 寸之硬盘 / 固态硬盘使用，若需相关电源线之研华料号，请洽研华之业务 / 应用工程师以获得进一步之协助与信息。



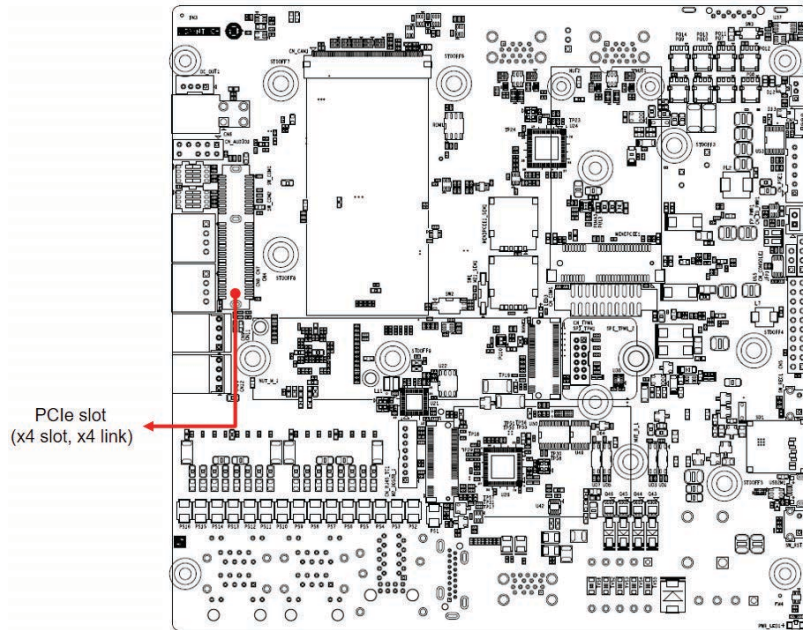
3.1.7 4-pin 风扇接头

本主板可提供 2 个 4-pin (2.54mm pitch) 风扇接头供客户之相关场域使用。每个接头可提供 12V 电压输出，风扇对其抽载之上限不可超过 9.6W。



3.1.8 PCI Express 扩充插槽

MIC-713 主板提供了一个可供网卡 /USB 卡 … 等使用的 PCIe Gen4 x4 (x4 link) 扩展槽，扩展槽尾部为非封闭形式，让扩展卡在使用上更具弹性。



3.1.9 M.2 3052 指拨开关

在某些特定卡片使用时会需要针对 M.2 3052 卡槽上第 20 与 22 脚位做电位调整, 指拨开关之默认值为 OFF, 说明请参阅下表。

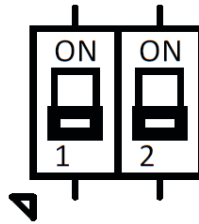
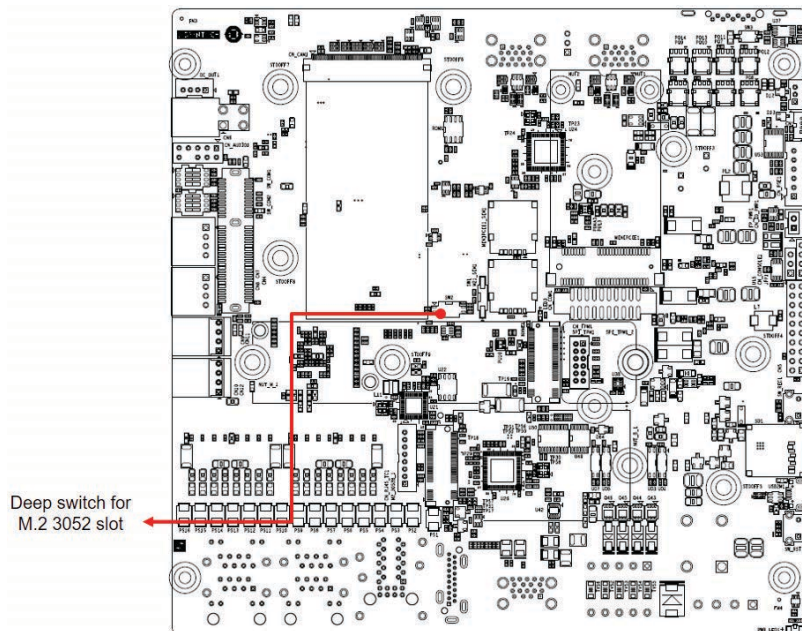


表 3.2: M.2 3052 指拨开关

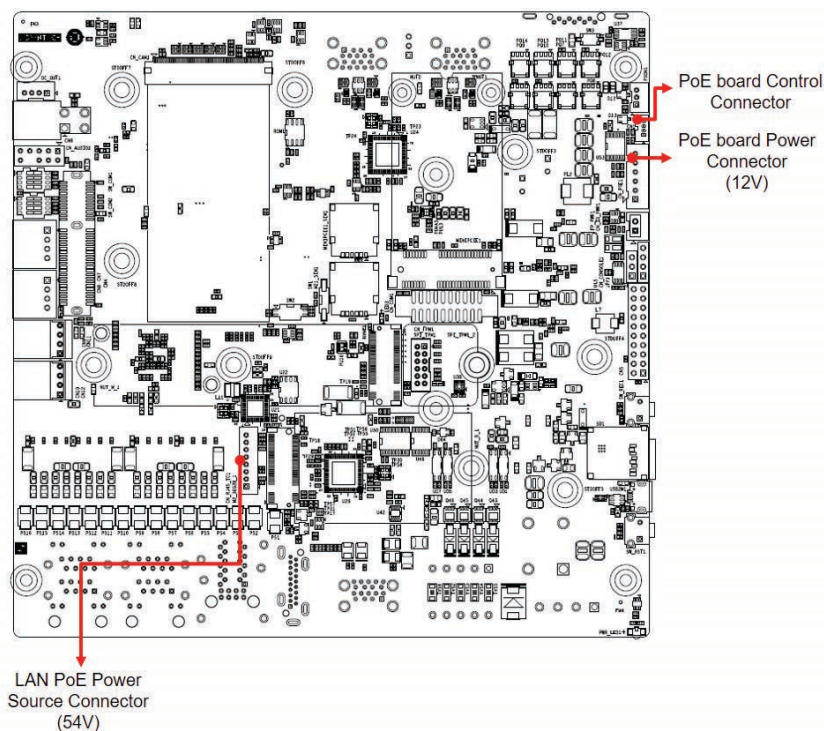
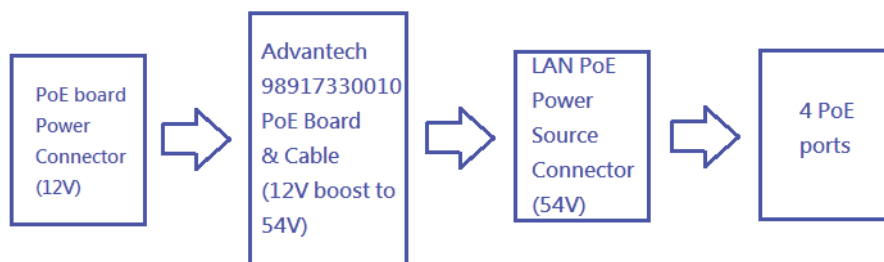
SW1	SEL	Status
SW1-1 (Pin 20)	ON	1.8 V pull high
SW1-2 (Pin 22)	OFF	NC (default)



3.1.10 PoE 升级套件（选品）相关接头

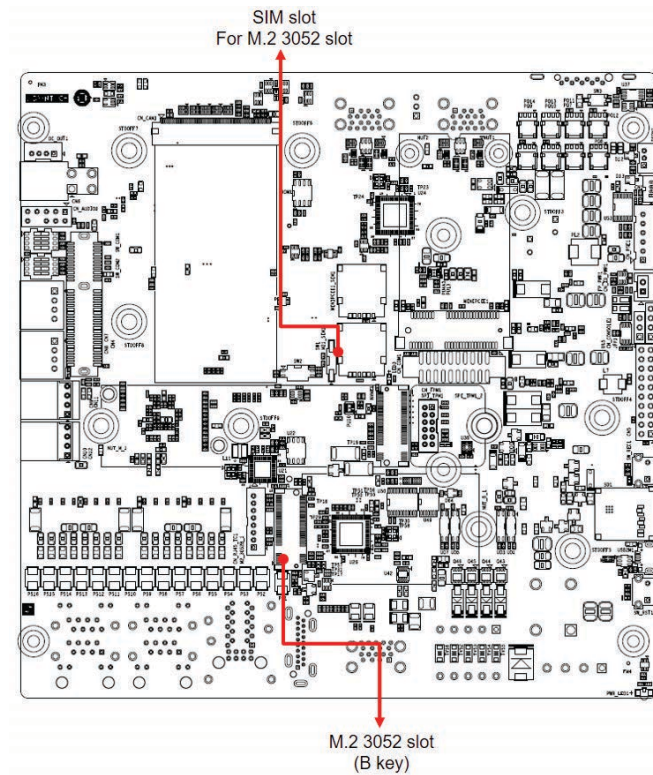
1. LAN PoE 电源供给接头 (54 V) - 此接头可分别提供 54 V 电源给 4 个 PoE 网络接口使用，每端口最大可供应 15 W 给予终端装置。
2. PoE 板卡电源接头 (12V)- 此接头传导来自主板上的 12 V 电源给选购之 PoE 电源板卡。
3. PoE 板卡控制接头 - 此接头为预留之内部开发功能使用。

以下图表说明 PoE 网络接口之电源转换流程与电源来源。



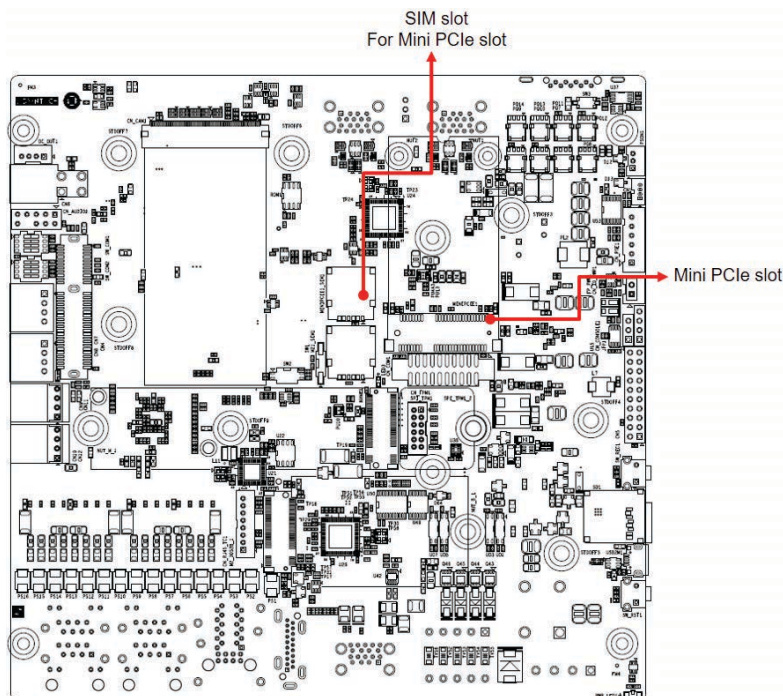
3.1.11 M.2 3052 与相关之 SIM 卡槽

1. M.2 3052 卡槽 - 此卡槽以 USB 2.0/3.2 讯号供给扩展卡片使用。
2. SIM 卡槽 - 若 M.2 3052 之装置有需求，可以搭配下图指示位置之 NANO SIM 卡槽来做使用。



3.1.12 Mini PCIe 与相关之 SIM 卡槽

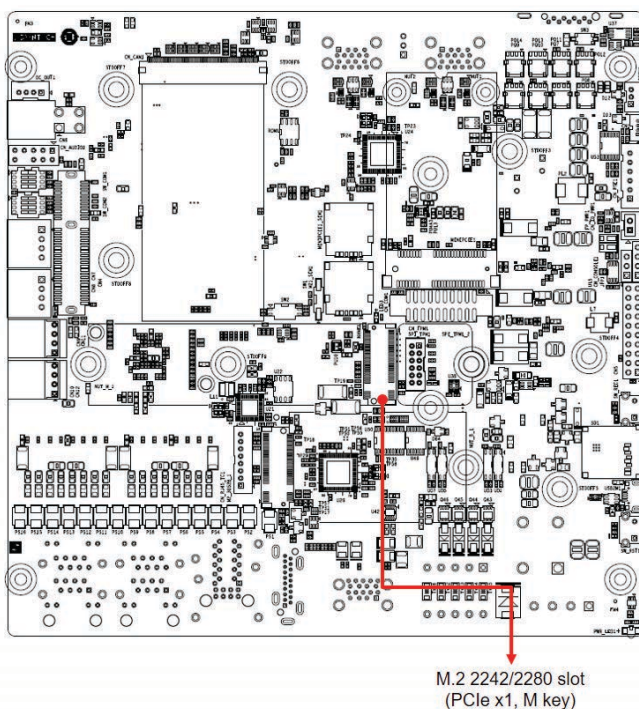
1. Mini PCIe 卡槽 - 此卡槽以 USB 2.0 以及 PCIe Gen3 x1 讯号供给扩展卡片使用。
2. SIM 卡槽 - 若 Mini PCIe 之装置有需求，可以搭配下图指示位置之 NANO SIM 卡槽来做使用。



3.1.13 M.2 2242/2280 卡槽

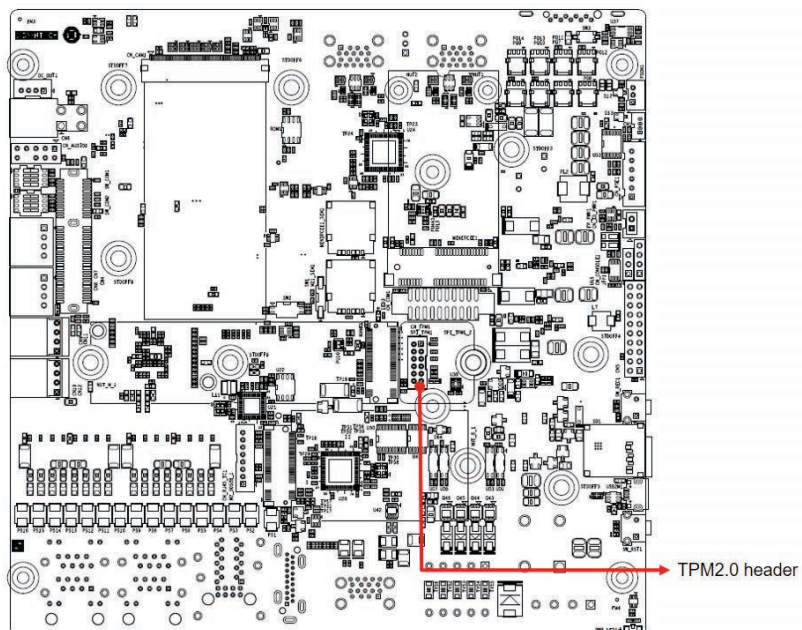
此卡槽提供 PCIe Gen4 x1 讯号给 M.2 M-Key 形式的 2242/2280 装置来安装使用。

若需要使用 M.2 2242 装置，需要另外选购研华料号 1910000747 之零件，安装该零件后再行装入 M.2 2242 装置于卡槽上。



3.1.14 信赖平台模块 2.0 接头

此接头可供信赖平台模块 2.0 版本装置使用，研华相对应之选购产品料号为 PCA-TPMSPI-00A1。



3.1.15 还原按钮 / 重启按钮 / Micro USB 接头

当需要对 MIC-713 进行更新时，首先必须要进入“强制 USB 还原模式”，在此模式下可以针对 MIC-713 的系统软体或是对内部装置组态配置做修改。

以下为更新步骤说明：

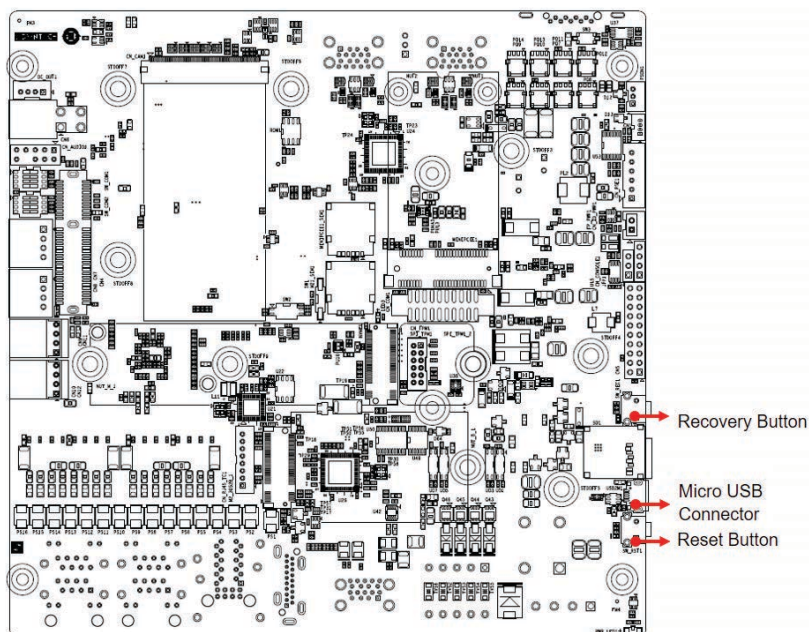
1. 准备一台主机，关于主机的细部说明，请参阅以下网址
<https://www.advantech.com/en/campaign/industrial-ai-iot-solution-nvidia/resource>
2. 在进行刷新 MIC-713 之前，请确认 MIC-713 已经手动进入“强制 USB 还原模式”接着进行以下操作：
 - (a) 将 MIC-713 关机。
 - (b) 在 MIC-713 配件盒内取出 micro USB 线，并将其对接于主机与 MIC-713 之间。
 - (c) 按下且持续压住 MIC-713 主板上的还原按钮。
 - (d) 单击重启按钮。
 - (e) 五秒之后，将先前持续压住的还原按钮放开。

此时请确认主机是否有成功辨认到 MIC-713。

若辨识成功，接着在主机端输入指令“lsusb”，若看到“NVIDIA Corp”字样出现则代表 MIC-713 已成功进入还原模式。

备注：

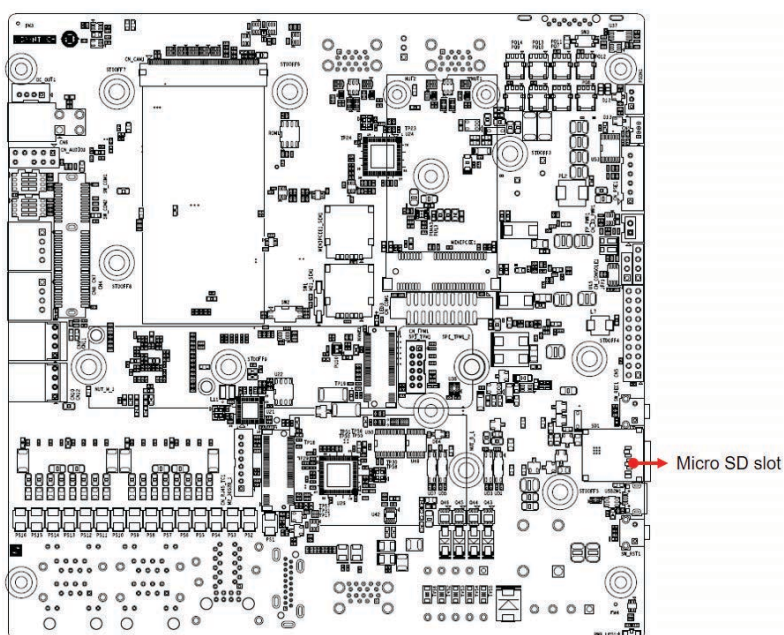
1. MIC-713 Orin NX 平台上之默认用户名称与密码为：mic-713。
2. MIC-713 Orin Nano 平台上之默认用户名称与密码为：mic-713on。
3. MIC-713 系列之 Root name 为：root。



3.1.16 Micro SD 卡槽

此卡槽提供 USB2.0 讯号供 Micro SD 卡片使用。

当有额外储存空间需求时，请于本卡槽插入至少 64 GB 以上容量的 Micro SD 卡片以供后续使用。



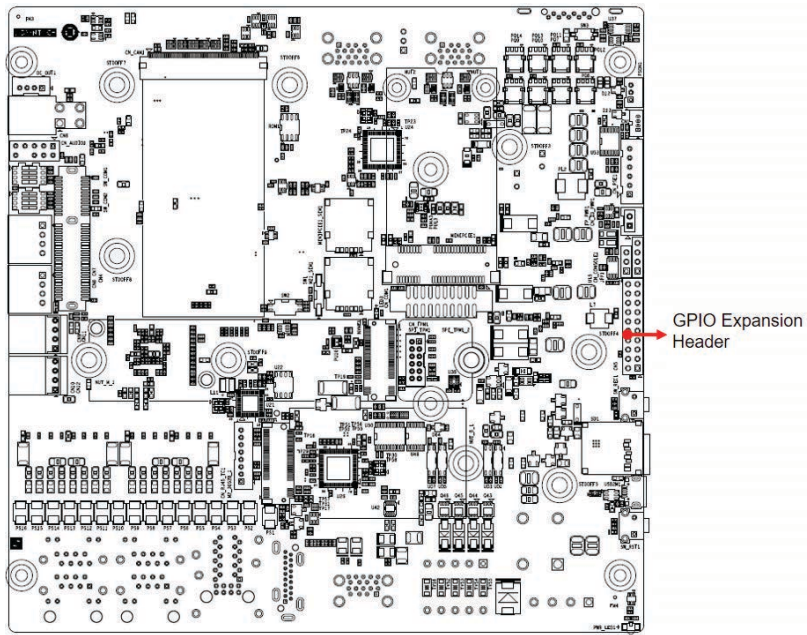
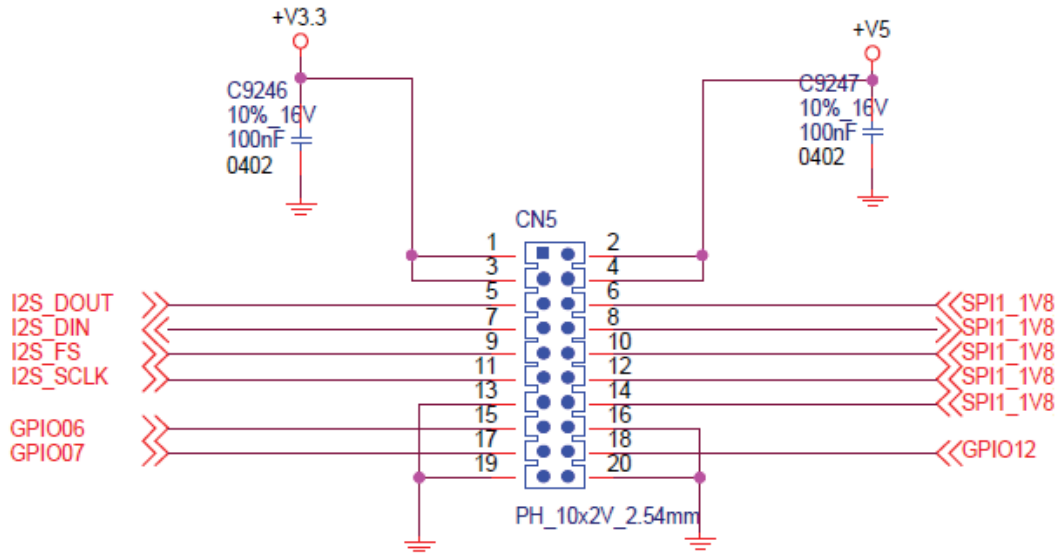
3.1.17 GPIO 扩展接头

MIC-713 提供多个 GPIO 接头供开发者使用，详细功能与定义可参阅下表。

表 3.3: GPIO 扩展接头

PIN	Signal	Description	I/O Voltage Level
1	3.3 V	Power +3.3V	3.3 V
2	5 V	Power +5V	5 V
3	3.3 V	Power +3.3V	3.3 V
4	5 V	Power +5V	5 V
5	I2S_DOUT	I2S Audio Data Out	1.8 V
6	SPI1_SCK	SPI Clock	1.8 V
7	I2S_DIN	I2S Audio Data In	1.8 V
8	SPI1_MISO	SPI Master In/Slave Out	1.8 V
9	I2S_FS	I2S Audio Left/Right Clock	1.8 V
10	SPI1_MOSI	SPI Master Out/Slave In	1.8 V
11	I2S_SCLK	I2S Audio Clock	1.8 V
12	SPI1_CS0	SPI Chip Select 0	1.8 V
13	GND	GND	N/A
14	SPI1_CS1	SPI Chip Select 1	1.8 V
15	GPIO06G	GPIO	1.8 V
16	GND	GND	N/A
17	GPIO07	GPIO	1.8 V
18	GPIO12	GPIO	1.8 V

19	GND	GND	N/A
20	GND	GND	N/A

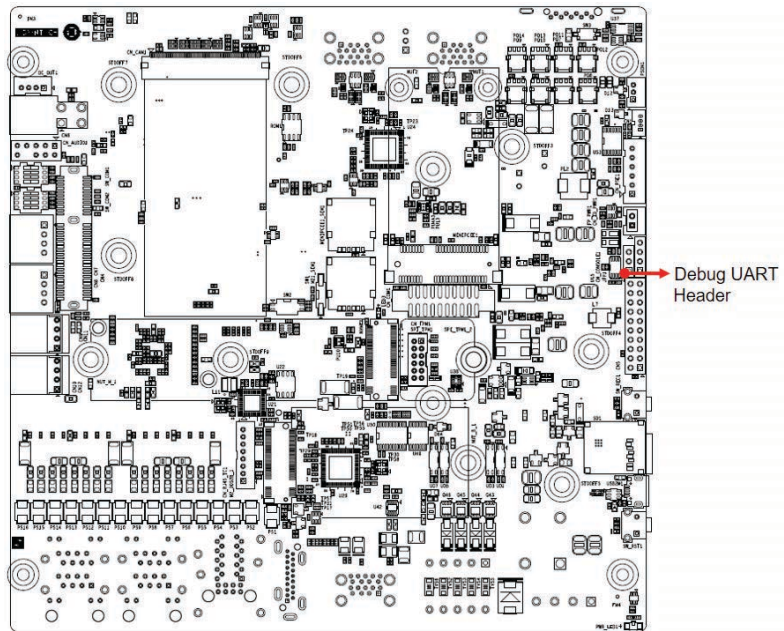
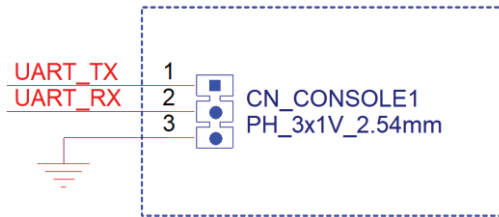


3.1.18 通用非同步收发传输器接头

MIC-713 提供 UART 接头供开发者使用，详细功能定义可参阅下表。

表 3.4: 通用非同步收发传输器接头

PIN	Signal	Description	IO Voltage Level
1	UART_TX	UART Transmit	1.8 V
2	UART_RX	UART Receive	1.8 V
3	GND	GND	N/A

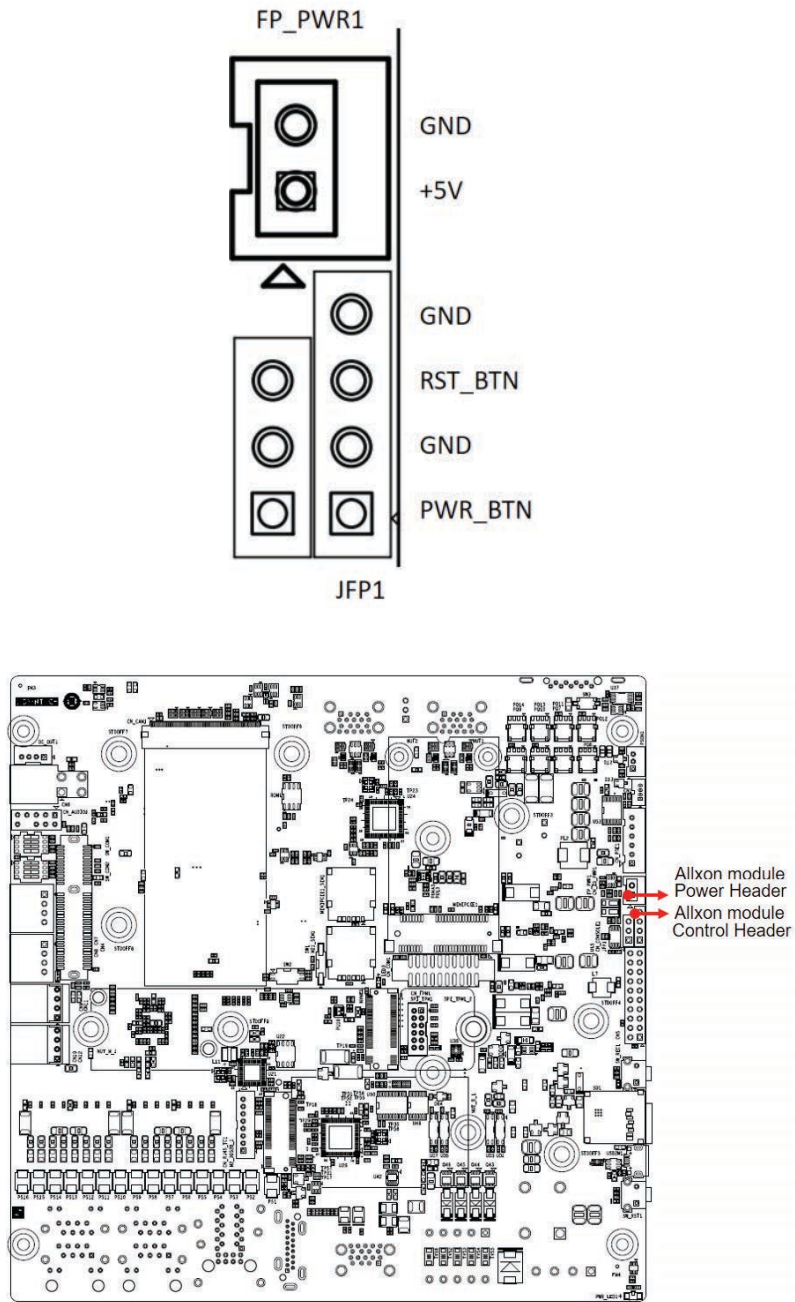


3.1.19 Allxon 模块专用电源 / 控制接头

当 Allxon 远程控制卡（研华料号：98RV710AL00）被安装在主板上时，请选购并搭配下表内列出的线材做使用。相关针脚图示与定义说明如下方所示。

表 3.5: Allxon 模块专用电源/控制接头

Function	PIN	Advantech Cable PN
Power 5 V	FP_PWR1 (PIN1 & PIN2)	1700034663-01
Power Button	JFP1 (PIN1 & PIN2)	1700034664-01
Reset Button	JFP1 (PIN3 & PIN4)	1700034665-01

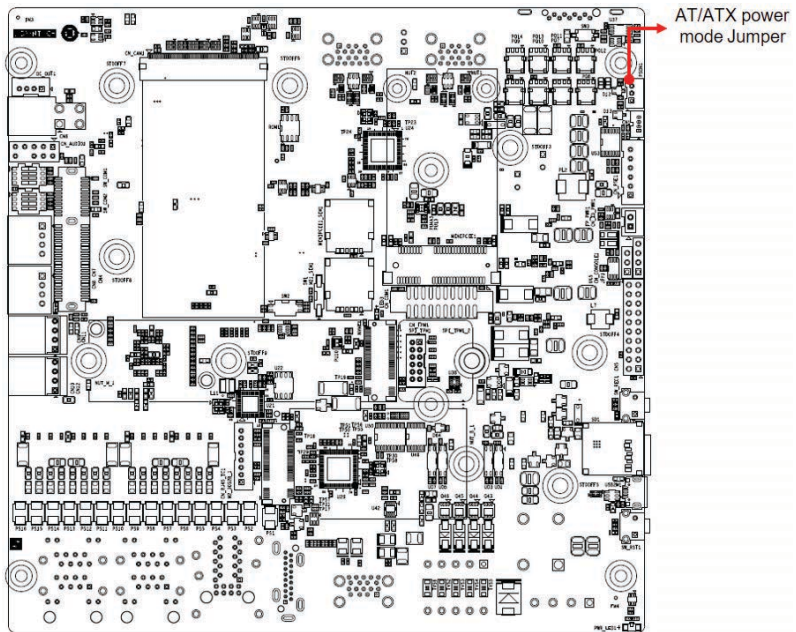


3.1.20 AT/ATX 电源模式调整跳帽

MIC-713 提供跳帽供使用者依据自身需求去做相对应调整，模式对照请参阅下表。

表 3.6: PSON1

引脚	电源模式
1-2	AT (预设)
2-3	ATX



3.1.21 控制器区域网络指拨开关

MIC-713 针对控制器区域网络提供了 120 欧姆阻值的指拨开关来防止讯号反射。指拨开关预设设定为 OFF，调整说明请见下表。

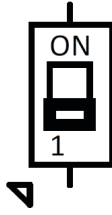
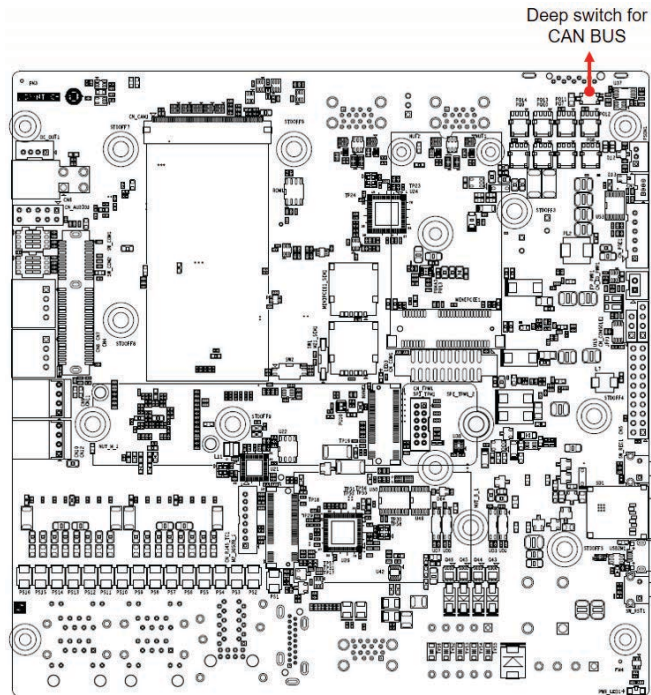


表 3.7: 控制器区域网络指拨开关

	SEL	Function
SW1	ON	Add 120 ohm
	OFF	Remove 120 ohm (default)

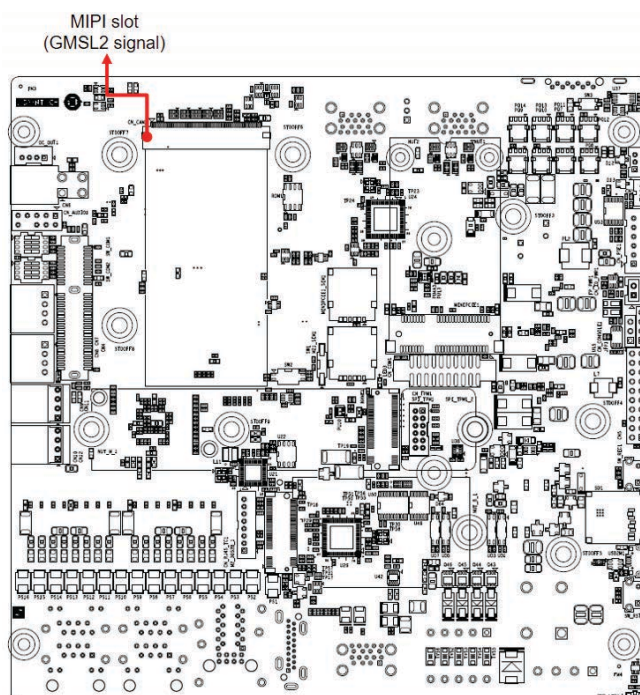
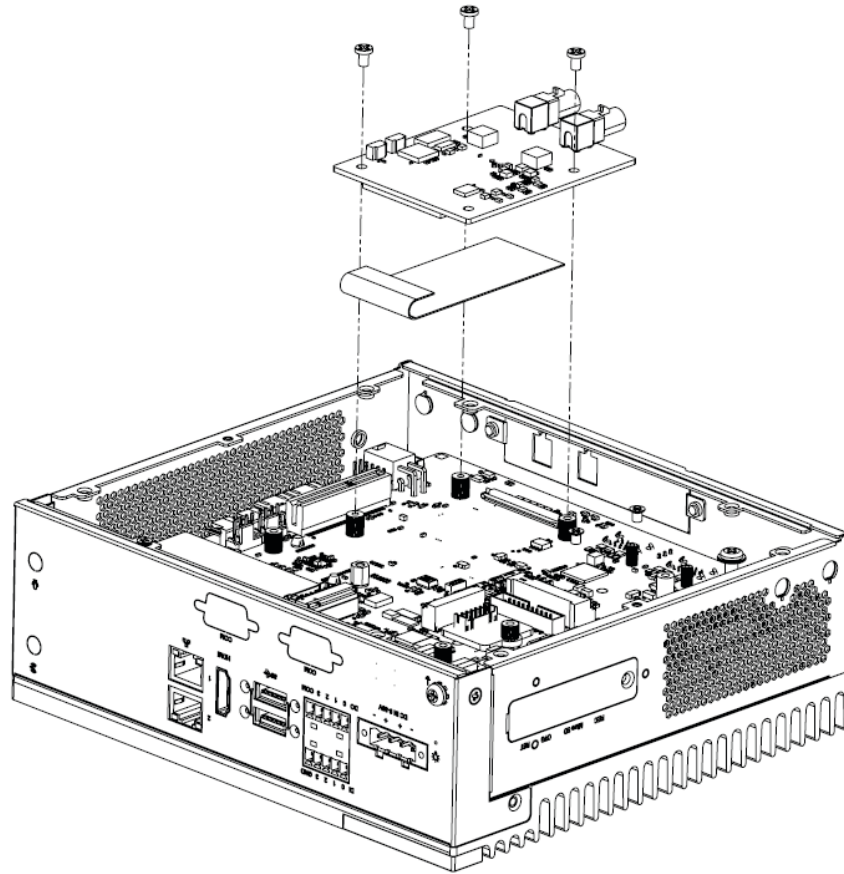


3.1.22 行动产业处理器适配卡槽

MIC-713 提供一个行动产业处理器适配卡槽供安装研华设计之 GMSL2 卡片（选购品，双路 FAKRA 接头卡片，研华料号 968DD00294）使用。

有三颗螺丝必须搭配安装使用（研华料号 1930005673-11），这三颗螺丝已先预锁附在相对应铜柱上。

安装示意图如下：

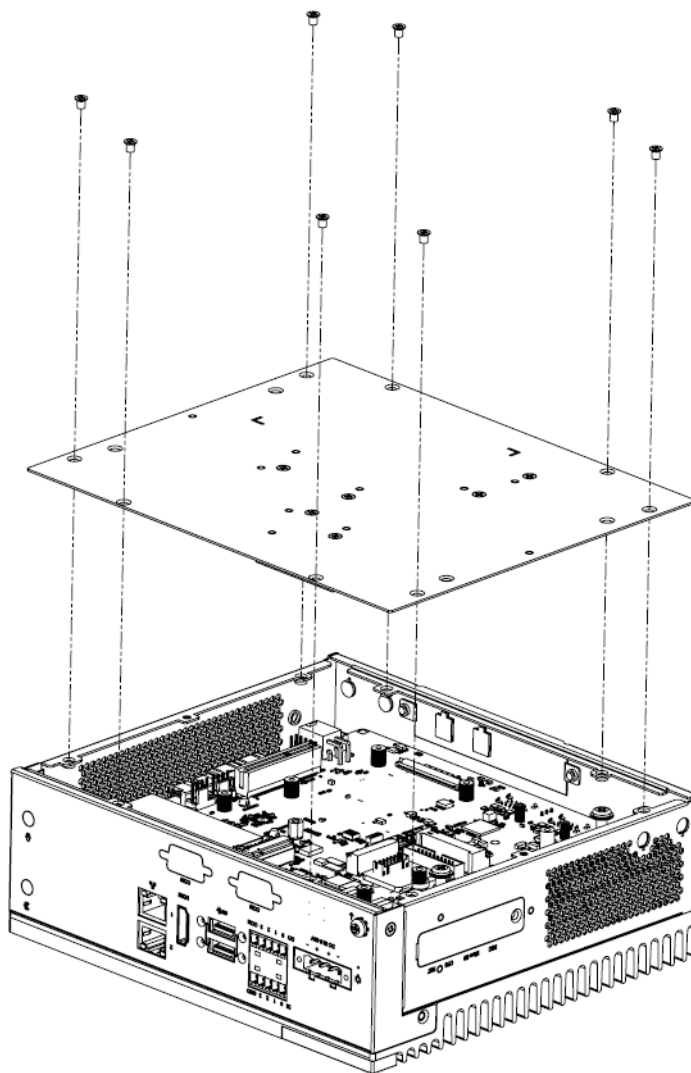


第 4 章

系统安装

4.1 卸除底盖

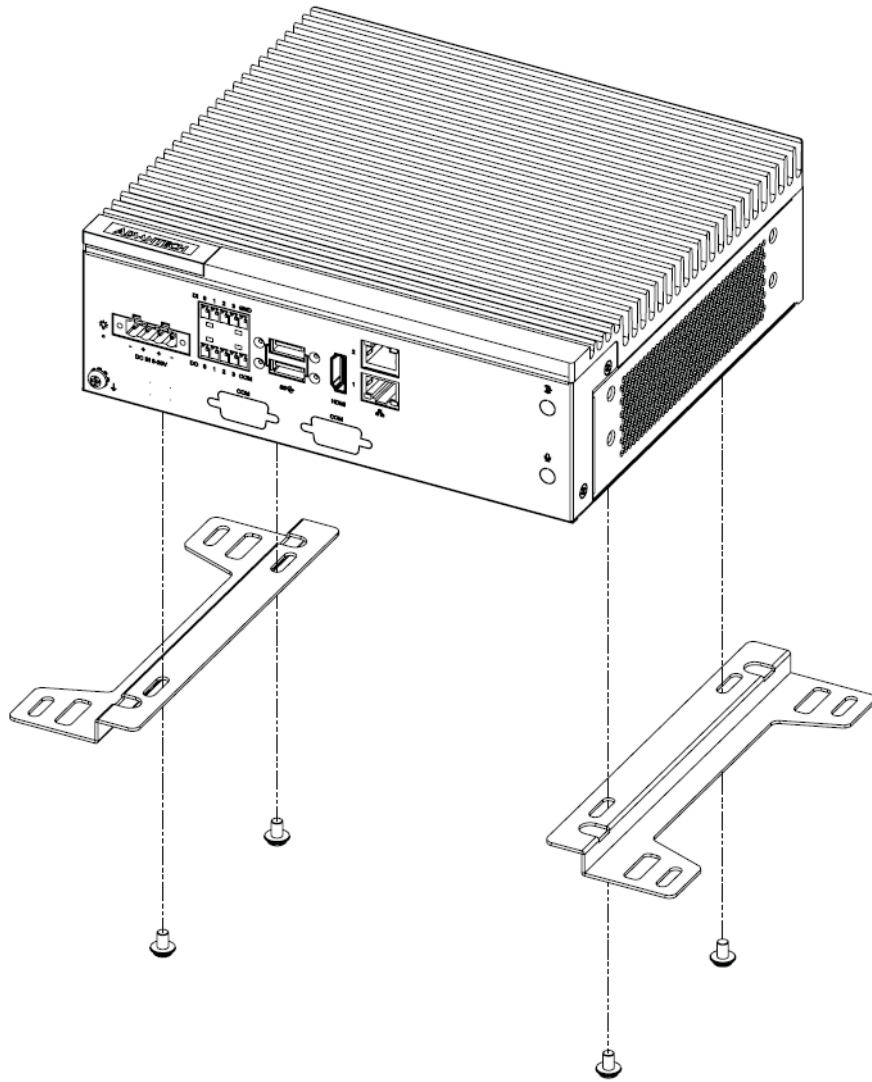
卸除 MIC-713 底盖前须先移除 8 颗螺丝（研华料号 1930007979），螺丝位置示意如下。



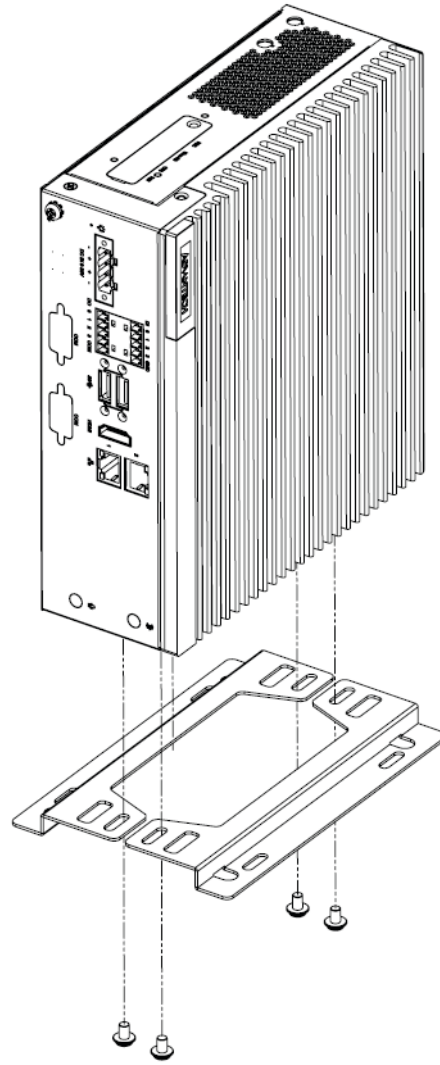
4.2 安装支架

1. 从配盒内取出安装支架（研华料号 1960110505N001）两支。
2. 将支架藉由锁附四颗螺丝（研华料号 1930007259-01）固定在系统上，一共有两种固定方式，请参阅下图。

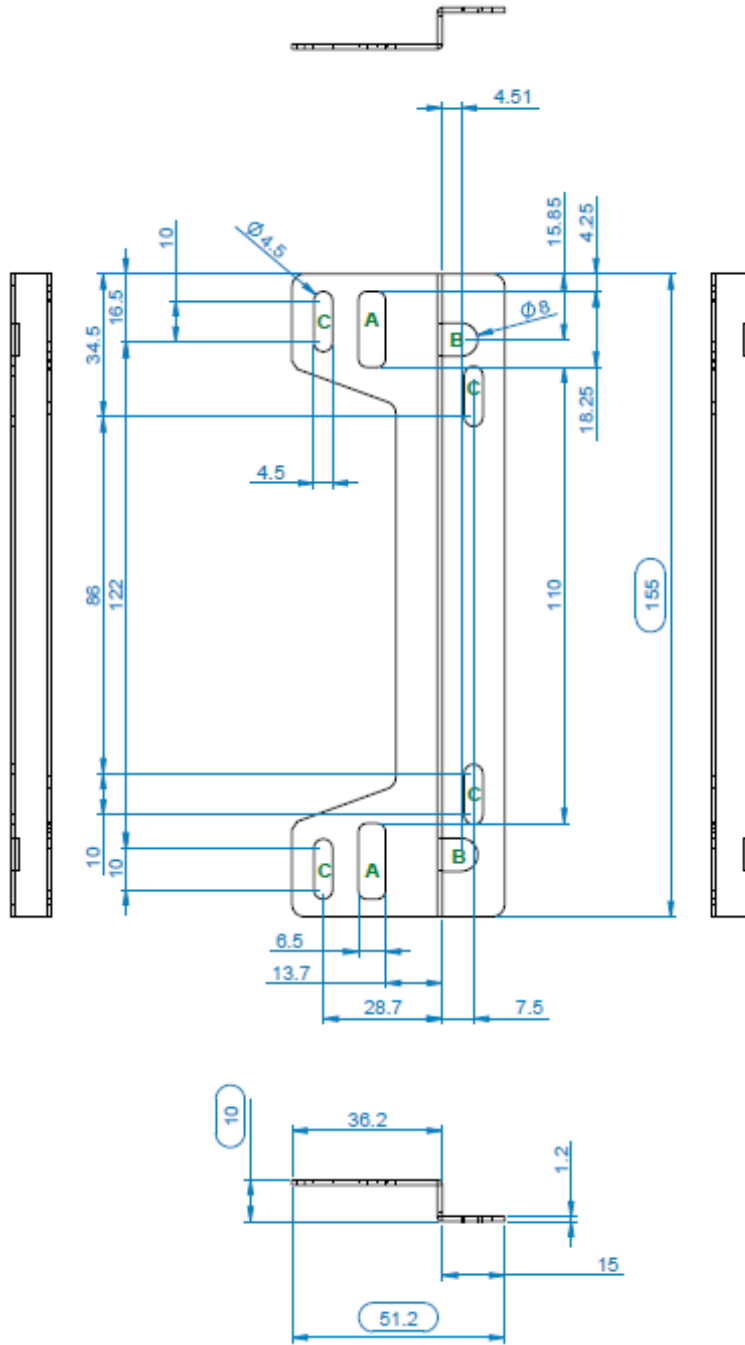
类型 1:



类型 2:



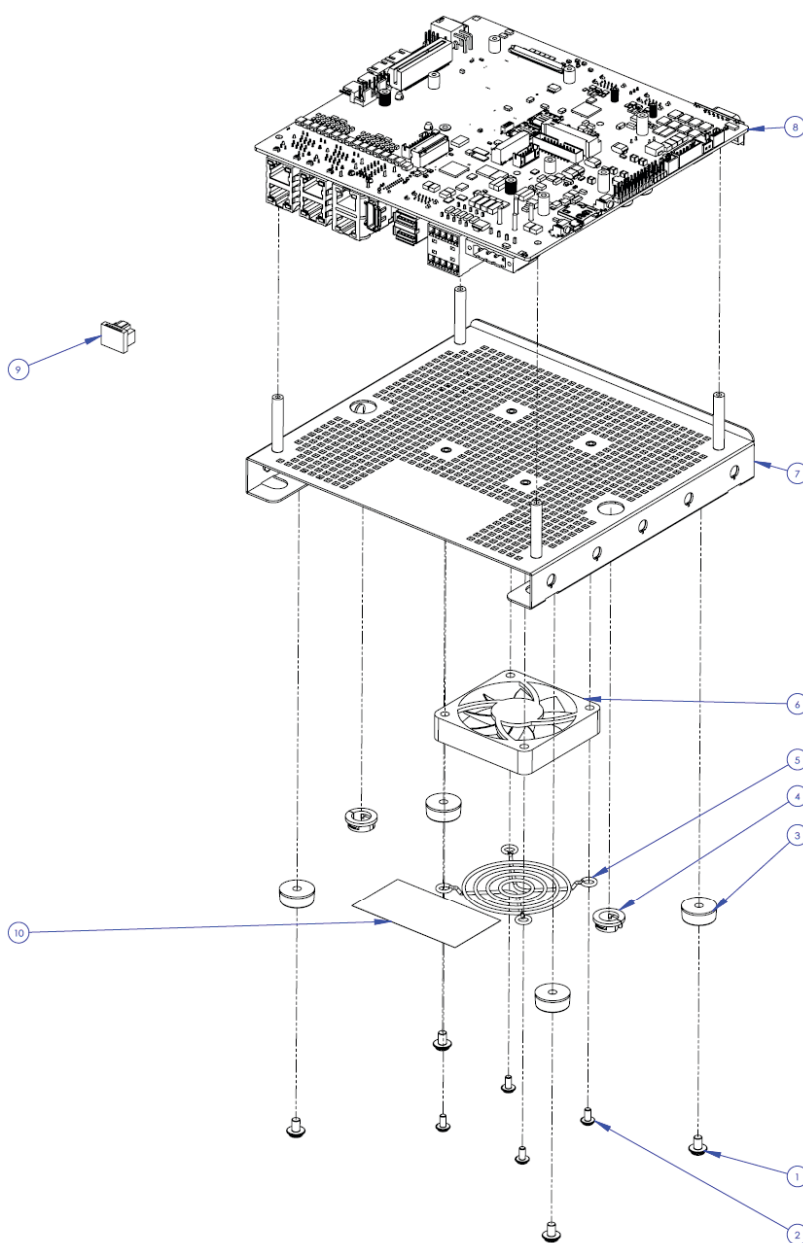
安装支架 (1960110505N001, MIC-713 Powder 432C 的安装支架)



4.3 解决方案套件爆炸图

表 4.1: 解决方案套件爆炸图

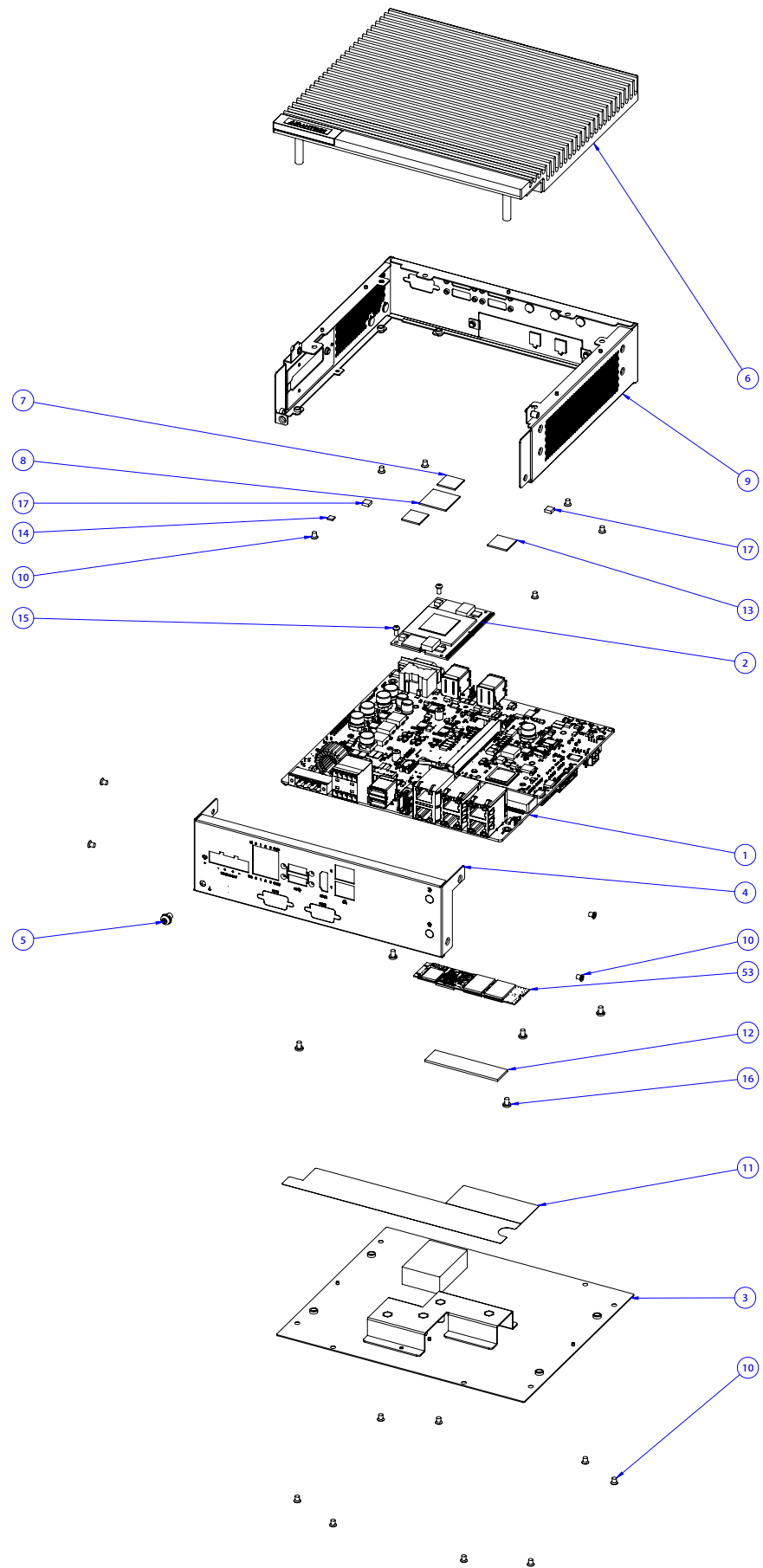
Item	Advantech PN	Description	Q' ty
1	1939000410	Screw M4*6L R/S(W) D=9 H=3 + ST Ni	4
2	1930000013	Screw M3x6L R/S(W) D=5.5/7 H=2.2 (2+) ST Ni	4
3	1990012452S000	Rubber Foot(NF-0051ST) FOR ARK-3400	4
4	1994000040	Wire mount(sa-1013a)for IPC-602 A1	2
5	1962675110	FAN GUARD 60*60mm IPC-6751 (MFG-06) A1	1
6	1750000323	FAN 60*60*13 5400R 0.36A 12V FOR ACP-2320	1
7	1960109252N001	DEV KIT Bracket for MIC-713 Powder 432C	1
8	96920071300	MIC-713_CB A101-2	1
9	1990000755S000	RJ45 COVER PINGOOD EBPC-5250 A1 NET-01-PPB	1
10	2000035349	Product Label FP MIC-713_PG00 A1	1



4.4 标准系统爆炸图

表 4.2: 标准系统爆炸图

Item	Advantech PN	Description	Q' ty
1	96920071310	MIC-713_CB A101-2 (2 LAN PORT)	1
2	968DD00271	NVIDIA Jetson Orin NX-16G	1
3	1960110398N001	Bottom Cover for MIC-713 Powder 432C	1
4	1950027792N011	Front Panel U WO PSE for MIC-713 Powder 432C	1
5	1935140630	R/S(TW) D=8.2 H=3.4 + M4*6L ST Zmc-3	1
6	1970005636T001	HS R3 Other 25W 195x174.3x19.65 mm SCCPU	1
7	1990027474N020	Thermal-Pad 13.9x13.9x1mm TP K=8 Eapus PG80B	2
8	1990029568N010	Thermal-Pad 21x21x1mm TP K=8 Eapus PG80B	1
9	1950027791N001	Main Chassis U for MIC-713 Powder 432C	1
10	1930007979	Screw M3X4L S/S D=4.8 H=1 (2+) ST/H BZn	21
11	1990040228N000	MB Mylar for MIC-713	1
12	1990019167N000	Thermal-Pad 57x15x1.5 K=6 TP GR-Hm Fujipoly	1
13	1990022440N000	Thermal pad 15x15x1.0mm GR-Hm k=6 DES-SE06	1
14	1990035259N000	Thermal-pad 4X4X1mm K=6 TP GR-HM DMS-SA53	1
15	1935000100	Screw M2.5x5L R/S D=4.5 H=1.7 (1+) ST Ni	2
16	1930005673-11	Screw M3x4.5L F/S D=5.5 H=1.5 + ST Ni NK M9Bot	5
17	1990019402N000	THERMAL PAD 5x5x2.0mm GR-Hm K=6 FPM-3121G	2
18	SQF-C8MV2-128GDEDM	SQF M.2 2280 720-D 128G 3D TLC BiCS5 (- 20~85° C)	1



ADVANTECH

Enabling an Intelligent Planet

www.advantech.com.cn

使用前请检查核实产品的规格。本手册仅作为参考。

产品规格如有变更，恕不另行通知。

未经研华公司书面许可，本手册中的所有内容不得通过任何途径以任何形式复制、翻印、翻译或者传输。

所有其他产品名或商标均为各自所属方的财产。

© 研华公司 2023

用戶手冊

MIC-713

AI 推理系統，搭配 NVIDIA®
Jetson Orin NX™/Orin Nano™

ADVANTECH

Enabling an Intelligent Planet

版權聲明

隨附本產品發行的檔為研華公司 2023 年版權所有，並保留相關權利。針對本手冊中相關產品的說明，研華公司保留隨時變更的權利，恕不另行通知。未經研華公司書面許可，本手冊所有內容不得通過任何途徑以任何形式複製、翻印、翻譯或者傳輸。本手冊以提供正確、可靠的資訊為出發點。但是研華公司對於本手冊的使用結果，或者因使用本手冊而導致其它協力廠商的權益受損，概不負責。

認可聲明

NVIDIA 為 NVIDIA Corporation 的商標。

所有其它產品名或商標均為各自所屬方的財產。

產品品質保證（兩年）

從購買之日起，研華為原購買商提供兩年的產品品質保證。但對那些未經授權的維修人員維修過的產品並不進行品質保證。研華對於不正確的使用、災難、錯誤安裝產生的問題有免責權利。

如果研華產品出現故障，在質保期內我們提供免費維修或更換服務。對於出保產品，我們將會酌情收取材料費、人工服務費用。請聯繫您的銷售人員瞭解詳細情況。如果您認為您購買的產品出現了故障，請遵循以下步驟：

如果您認為您購買的產品出現了故障，請遵循以下步驟：

1. 收集您所遇到的問題的資訊（例如，CPU 主頻、使用的研華產品及其它軟體、硬件等）。請注意螢幕上出現的任何不正常資訊顯示。
2. 打電話給您的供應商，描述故障問題。請借助手冊，產品和任何有說明的資訊。
3. 如果您的產品被診斷發生故障，請從您的供應商那裡獲得 RMA（Return Material Authorization）序號。這可以讓我們儘快地進行故障產品的回收。
4. 請仔細地包裝故障產品，並在包裝中附上完整的售後服務卡片和購買日期證明（如銷售發票）。我們對無法提供購買日期證明的產品不提供品質保證服務。
5. 把相關的 RMA 序號寫在外包裝上，並將其運送給銷售人員。

申請商：研華股份有限公司

地址：台北市內湖區瑞光路 26 巷 20 弄 1 號

電話：02-77323399

料號：2002071300

臺灣印刷

第一版

2023 年 9 月

符合性聲明

FCC A 級

注意：根據 FCC 規則第 15 款，本設備已經過檢測並被判定符合 A 級數位設備標準。這些限制旨在為商業環境下的系統操作提供合理保護，使其免受有害干擾。本設備會產生、耗費和發射無線電頻率能量，如果沒有按照手冊說明正確安裝和使用，可能會對無線電通訊造成有害干擾。

本產品於國內裝置使用時，其電源僅限使用機架電源模組所提供直流電源輸入，不得使用交流電源及附加其他電源轉換裝置提供電源，其電源輸入電壓及電流請依說明書規定使用。

包裝清單

安裝之前，用戶需確認包裝中含有下面所列各項。如果有任何專案與列表不符，請立即聯繫您的經銷商。

- 1 x MIC-713
- 1 x 電源接頭 (4P)
- 2 x DI/DO 接頭 (5P)
- 2 x 支架
- 1 x 中國 ROHS 表
- 1 x 手冊 (線上下載)
- 1 x Micro USB 線材 (系統恢復)

相容設備列表

類型	Advantech PN	供應商	部件描述	備註
解決方案工具包	MIC-713S-ON3A1	Advantech	MIC-713S 配備 NVIDIA Orin Nano 8GB 解決方案工具包	Orin Nano 8GB ADV PN is 968DD00349
	MIC-713S-ON2A1	Advantech	MIC-713S 備備 NVIDIA Orin Nano 4GB 解決方案工具包	Orin Nano 4GB ADV PN is 968DD00350
	MIC-713S-OX4A1	Advantech	MIC-713S 配備 NVIDIA Orin NX 16GB 解決方案工具包	Orin NX 16GB ADV PN: 968DD00271
	MIC-713S-OX3A1	Advantech	MIC-713S 配備 NVIDIA Orin NX 8GB 解決方案工具包	Orin NX 8GB ADV PN: 968DD00270
系統	MIC-713-ON3A1	Advantech	MIC-713 配備 NVIDIA Orin Nano 8GB AI 系統	Orin Nano 8GB ADV PN is 968DD00349
	MIC-713-ON2A1	Advantech	MIC-713 配備 NVIDIA Orin Nano 4GB AI 系統	Orin Nano 4GB ADV PN is 968DD00350
	MIC-713-OX4A1	Advantech	MIC-713 配備 NVIDIA Orin NX 16GB AI 系統	Orin NX 16GB ADV PN: 968DD00271
	MIC-713-OX3A1	Advantech	MIC-713 配備 NVIDIA Orin NX 8GB AI 系統	Orin NX 8GB ADV PN: 968DD00270
Mini PCIe 插槽 (信號: PCIe Gen3 x1 + USB 2.0)	Y5A710G002-96	Sierra	Sierra WP7611 配備 AT&T FW	4G LTE 卡
	EWM-C109F6G1E	ZonBEST	6-band HSPA 蜂窩模組, SIM 卡座連接器+GPS	4G LTE 卡
	PCM-24R2PE-AE	Advantech	Intel i350, GbE, PoE IEEE 802.3af, PD, RJ45 x 2	2 Ports PoE GbE lan 卡
M.2 2280 插槽 (信號: PCIe Gen4 x1)	SQF-C8MV2-128GDEDM	Advantech	SQF M.2 2280 720-D 128G 3D TLC BiCS5 (-20~85° C)	
	SQF-C8BV2-256GDEDM	Advantech	SQF M.2 2280 720-D 256G 3D TLC BiCS5 (-20~85° C)	
	SQF-C8MV4-512G-EDE	Advantech	SQF M.2 2280 720 512G 3D TLC BiCS3 (-40~85° C)	
M.2 3052 插槽 (信號: USB 2.0 + USB 3.2)	AIW-355DQ-E01	Advantech	5G (Sub-6G)/LTE/WCDMA 模組, GNSS, 用於歐洲	
	TBD	Sierra	5G NR Sub-6 GHz 模組	EM9291
MIPI 插槽	968DD00294	YUAN	2ch GMSL SW 視訊卡	
PCIe 插槽 (PCIe Gen4 x4 插槽, x4 信號)	PCIE-2221NP-00A1E	Advantech	2-port 10GBase-T NIC w Intel X550	PCIe x4 lan 卡
	PCIE-2201E	Advantech	PCIe 2 ports SFP+ 82599ES	PCIe x8 lan 卡
	PCE-USB4-00A1E	Advantech	PCIe x4, 4-port USB 3.0 擴展卡	PCIe x4 USB3.0 卡
Micro SD 卡	SQF-MSDV1-64GDD2C	Advantech	SQF MICRO SD C10 3D TLC 64G (-25~85° C)	
PoE 板	98917330010	Advantech	MIC-733 PoE 板, 配備包裝	僅限 MIC-713 系列 5 lan sku
TPM 模組	PCA-TPMSPI-00A1	Advantech	TPM 2.0 模組 by SPI, 用於 CPU 卡, A101-1	

備註: 相容設備列表所列之設備可能會因廠商之產品時程規畫終結而無法於市面上購買到, 研華將不另行因此情形而另發通知, 請逕自向研華相關業務人員洽詢更新之情形。

產品資訊

如需本產品或研華其它產品的更多資訊，請訪問我們的網站：

<http://www.advantech.com>

如需技術支援與服務，請訪問 MIC-713 的技術支援網站：

https://www.advantech.com/en/products/ai-computer-systems/sub_965e4edb-fb98-429e-89ed-9a0a8435a7be

請在網站上註冊您的產品並免費獲取得 2 個月的延長保固：

<http://www.register.advantech.com>

安全指示

1. 請仔細閱讀此安全操作說明。
2. 請妥善保存此用戶手冊供日後參考。
3. 用濕抹布清洗設備前，請從插座拔下電源線。請不要使用液體或去汙噴霧劑清洗設備。
4. 對於使用電源線的設備，設備周圍必須有容易接觸到的電源插座。
5. 請不要在潮濕環境中使用設備。
6. 請在安裝前確保設備放置在可靠的平面上，意外跌落可能會導致設備損壞。
7. 設備外殼的開口是用於空氣對流，從而防止設備過熱。請不要覆蓋這些開口。
8. 當您連接設備到電源插座上前，請確認電源插座的電壓是否符合要求。
9. 請將電源線佈置在人們不易絆到的位置，並不要在電源線上覆蓋任何雜物。
10. 請注意設備上的所有警告標識。
11. 如果長時間不使用設備，請將其同電源插座斷開，避免設備被超標的電壓波動損壞。
12. 請不要讓任何液體流入通風口，以免引起火災或者短路。
13. 請不要自行打開設備。為了確保您的安全，請由經過認證的工程師來打開設備。
14. 如遇下列情況，請由專業人員來維修：
 - 電源線或者插頭損壞；
 - 設備內部有液體流入；
 - 設備曾暴露在過於潮濕的環境中使用；
 - 設備無法正常工作，或您無法通過用戶手冊來使其正常工作；
 - 設備跌落或者損壞；
 - 設備有明顯的外觀破損。
- 免責聲明：該安全指示符合 IEC 704-1 的要求。研華公司對其內容的準確性不承擔任何法律責任。
- 警告使用者：這是甲類資料產品，在居住的環境中使用時，可能會造成射頻干擾，在這種情況下，使用者會被要求採取某些適當的對策。

電腦配置了由電池供電的即時時鐘電路，如果電池更換不正確，將有爆炸的危險，因此只可以使用製造商推薦的同一種或者同等型號的電池進行替換。請按照製造商的指示處理舊電池。

安全措施 – 靜電防護

為了保護您和您的設備免受傷害或損壞，請遵照以下安全措施：

- 操作設備之前，請務必斷開主機殼電源，以防觸電。不可在電源接通時接觸 CPU 卡或其它卡上的任何元件。
- 在更改任何配置之前請切斷電源，以免在您連接跳線或安裝卡時，瞬間電湧損壞敏感電子元件。

目錄

第 1 章	產品概述	1
1.1	產品簡介	2
1.2	產品特點	2
1.2.1	主要特點	2
	表 1.1: 處理器	2
1.3	機械規格	3
1.4	電源規格	4
1.5	環境規格	4
第 2 章	系統介面概述	5
2.1	MIC-713 系統介面概述	6
2.2	介面	7
2.2.1	電源指示燈	7
2.2.2	4 路數位輸入 / 數位輸出埠	8
	表 2.1: 隔離式數位輸入	8
	表 2.2: 隔離式數位輸出	8
2.2.3	USB3.2	9
2.2.4	網路	10
	表 2.3: 網路	10
2.2.5	系統接地連接	11
2.2.6	直流電輸入接頭	11
2.2.7	HDMI 接頭	12
2.2.8	線性輸出與麥克風接頭 (選購)	12
2.2.9	序列埠 (選購)	13
2.2.10	控制器區域網路埠	14
	表 2.4: 控制器區域網路埠	14
2.2.11	反級性天線安裝半沖斷孔	15
第 3 章	主機板元件配置概述	17
3.1	MIC-713 主機板元件配置概述	18
3.1.1	主機板方塊圖	19
3.1.2	iDoor 模組專用電源接頭	20
3.1.3	PCIe 擴充卡電源接頭	20
3.1.4	麥克風與線性輸出接頭	21
3.1.5	序列埠接頭與指撥開關	22
	表 3.1: COM 端口开关设置	22
3.1.6	SATA 硬碟 / 固態硬碟電源接頭	23
3.1.7	4-pin 風扇接頭	24
3.1.8	PCI Express 擴充插槽	25
3.1.9	M.2 3052 指撥開關	26
	表 3.2: M.2 3052 指撥開關	26
3.1.10	PoE 升級套件 (選購品) 相關接頭	27
3.1.11	M.2 3052 與相關之 SIM 卡槽	28
3.1.12	Mini PCIe 與相關之 SIM 卡槽	29
3.1.13	M.2 2242/2280 卡槽	29
3.1.14	信賴平台模組 2.0 接頭	30
3.1.15	還原按鈕 / 重啟按鈕 / Micro USB 接頭	31
3.1.16	Micro SD 卡槽	32
3.1.17	GPIO 擴充接頭	32
	表 3.3: GPIO 擴充接頭	32
3.1.18	通用非同步收發傳輸器接頭	34

表 3.4:	通用非同步收發傳輸器接頭.....	34
3.1.19	Allxon 模組專用電源 / 控制接頭.....	35
表 3.5:	Allxon 模組專用電源 / 控制接頭.....	35
3.1.20	AT/ATX 電源模式調整跨接器.....	36
表 3.6:	PSON1.....	36
3.1.21	控制器區域網路指撥開關.....	37
表 3.7:	控制器區域網路指撥開關.....	37
3.1.22	行動產業處理器介面卡槽.....	38

第 4 章 系統安裝 39

4.1	卸除底蓋.....	40
4.2	安裝支架.....	41
4.3	解決方案套件爆炸圖.....	44
	表 4.1: 解決方案套件爆炸圖.....	44
4.4	標準系統爆炸圖.....	45
	表 4.2: 標準系統爆炸圖.....	45

附錄 A 限用物質含有情況標示聲明書 47

第 1 章

產品概述

1.1 產品簡介

MIC-713 搭載 NVIDIA® Jetson Orin NX™ 或是 Orin Nano™, 是邊緣 AI 運算應用的理想選擇。MIC-713 標準系統提供 2 個網路埠、1 個 HDMI 用於連接影像輸出、4 路數位輸入與 4 路數位輸出、2 個 RS-232/RS-422/RS-485 (以 pin header 的形式預留於機器內部)、外部留有 6 個 USB3.2、內部則有 1 個 Micro USB 用於系統還原、1 個 Mini-PCIE (訊號: PCIe + USB)、1 個 M.2 2280 NVMe(Signal: PCIe x1) 以及 1 個工儲存資料用的 Micro SD 卡槽。另外, MIC-713 支援 iDoor 與 iModule 藉以提供更多的整合與使用彈性。

1.2 產品特點

1.2.1 主要特點

1.2.1.1 處理器

表 1.1: 處理器

模組記憶體	Orin NX	Orin Nano	
CPU	4G	-	ARM Cortex-A78AE CPU (6 核), (TDP 高達 10 W, 1.5 GHz)
	8G	ARM Cortex-A78AE CPU (6 核), (TDP 高達 20 W, 2 GHz)	ARM Cortex-A78AE CPU (6 核), (TDP 高達 15 W, 1.5 GHz)
	16G	16GB (ONX 16GB) -ARM Cortex-A78AE CPU (8 核) (TDP 高達 25 W, 2 GHz)	
GPU	4G	-	512 核 NVIDIA Ampere GPU, 配備 16 Tensor 內核 (頻率高達 625 MHz)
	8G	1024 核 NVIDIA Ampere GPU, 配備 32 Tensor 核心 (頻率高達 765 MHz)	1024 核 NVIDIA Ampere GPU, 配備 32 Tensor 內核 (頻率高達 625 MHz)
	16G	1024 核 NVIDIA Ampere GPU, 配備 32 Tensor 核心 (頻率高達 918 MHz)	

1.2.1.2 網路埠

- 2 x 10/100/1000 Mbps (標準系統)
- 5 x 10/100/1000 Mbps (解決方案套件), 在搭配 PoE 功能升級套件* 後, 其中 4 個網路埠可分別支援 PoE 功能至 15.4W(IEEE 802.3 AF), 或是其中 2 個網路埠可分別支援 PoE 功能至 30W(IEEE 802.3 AT)。

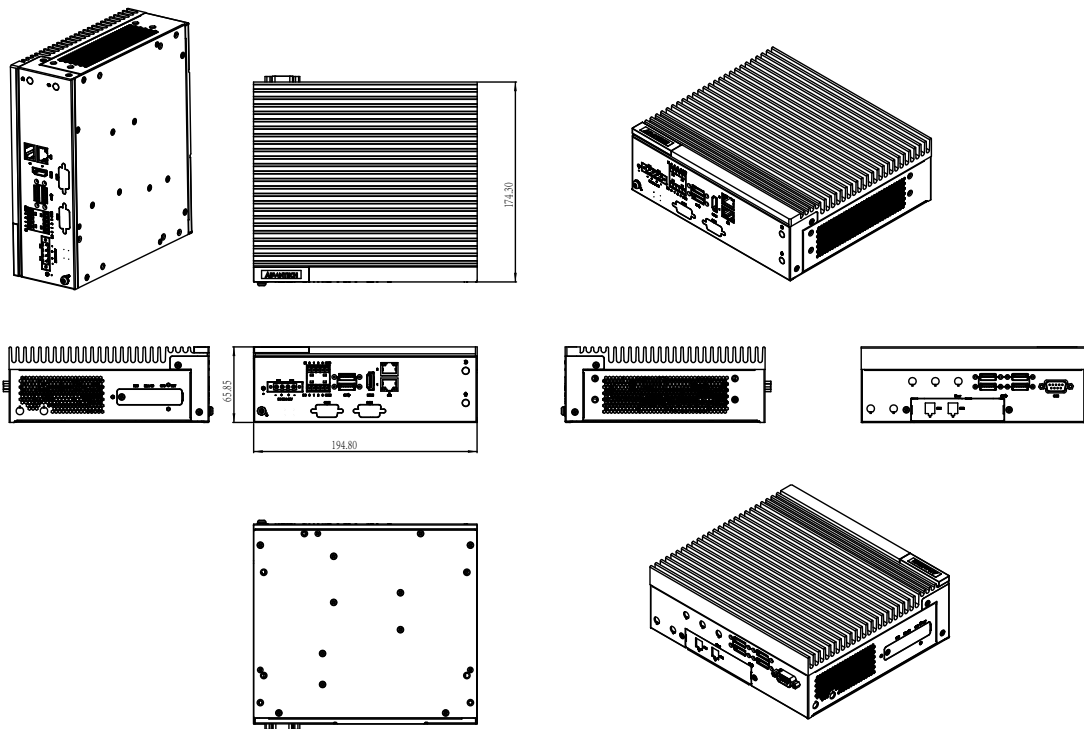
* 備註: PoE 功能升級套件 (研華料號為 98917330010) 需另外依據需求選購, 其最大可支援至 60W 輸出。

1.2.1.3 系統週邊接口

- 1 x HDMI 2.0 (最高解析度 3840x2160 @60Hz)
- 6 x USB 3.2 Gen 2
- 1 x USB 2.0 (系統內部, Micro USB 接頭供 OTG 用途)
- 1 x 4 路數位輸入埠 & 1 x 4 路數位輸出埠
- 2 x RS-232/RS-422/RS-485 (以 pin header 的形式預留於機器內部)
- 1 x MiniPCIe 卡槽 (訊號: PCIe x1+USB)
- 1 x iDoor space
- 1 x M.2 2280 NVMe 卡槽 (訊號: PCIe x1)
- 1 x M.2 3052 卡槽 (訊號: USB)
- 1 x Micro SD 卡槽
- 2 x NANO SIM 卡槽 (供相對應之 Mini PCIe & M.2 3052 卡片使用)

1.3 機械規格

- 標準系統尺寸: 194.8 x 174.3 x 65.85 mm (7.67" x 6.86" x 2.59")
- 參考重量: 2.05 kg(不含包材)



1.4 電源規格

- 電源類型: AT/ATX,
- 電源輸入: DC 9-36 V, 15-5.6 A

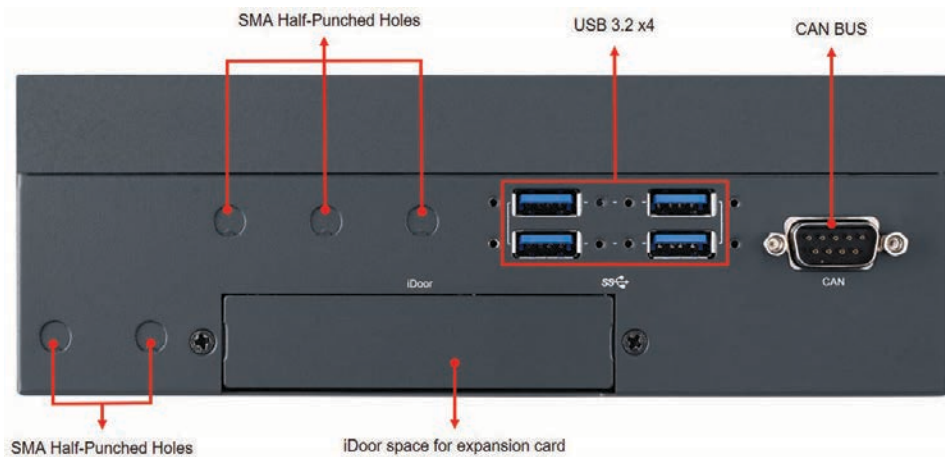
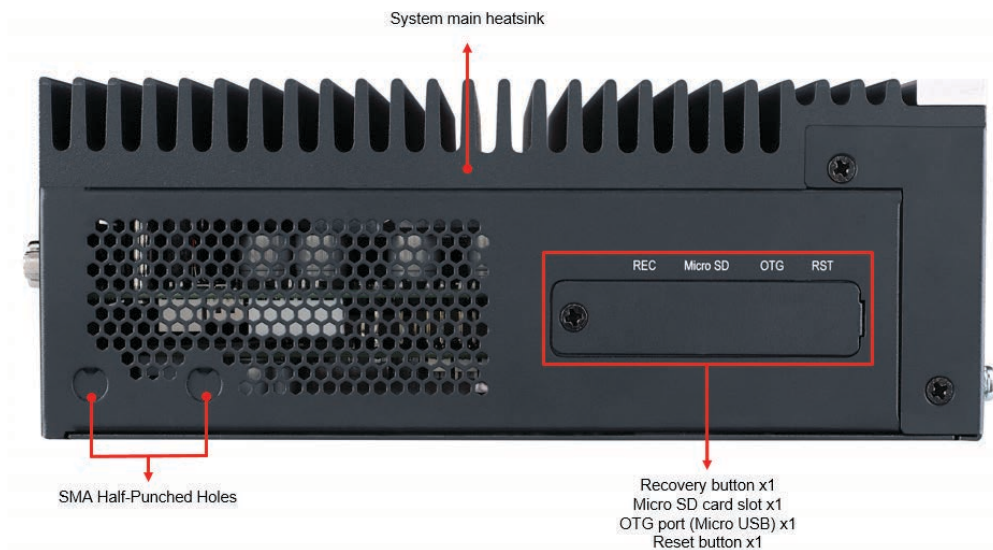
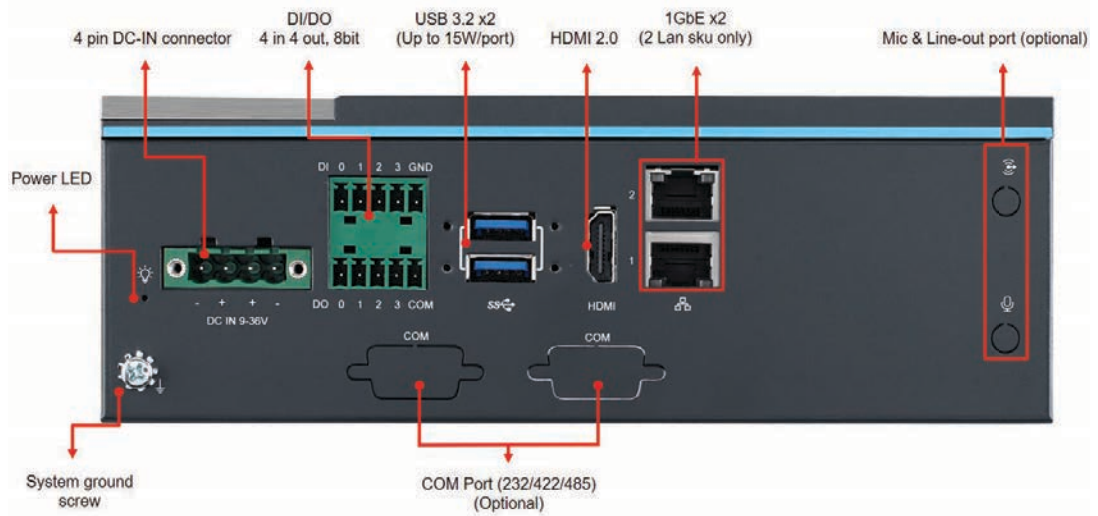
1.5 環境規格

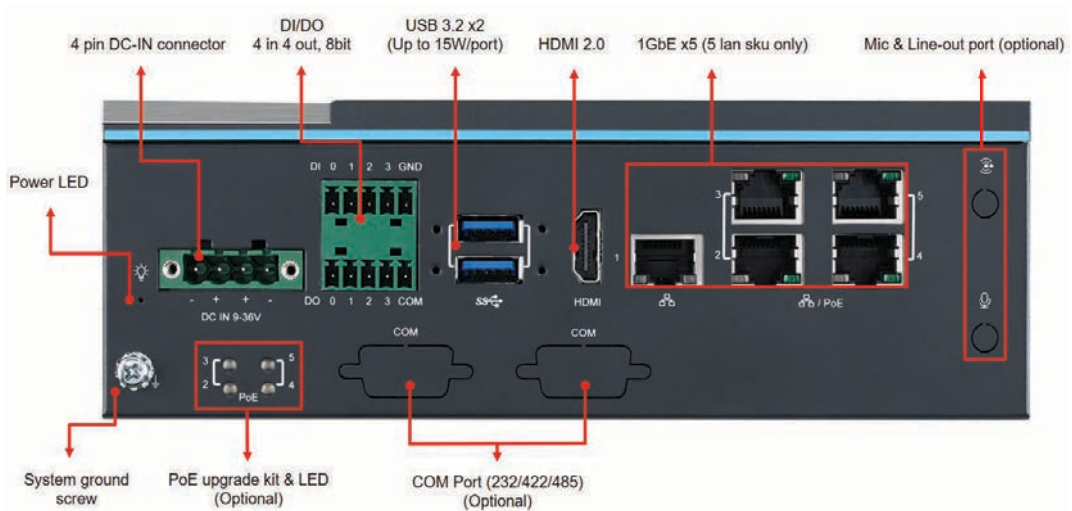
- 工作溫度: -10 ~ 60° C (14 ~ 140° F)*
- 工作濕度: 95% @ 40° C, 無凝結
- 儲存溫度: -40 ~ 85° C (-40 ~ 185° F)
- 儲存濕度: 60° C @ 95% RH, 無凝結

第 2 章

系統介面概述

2.1 MIC-713 系統介面概述

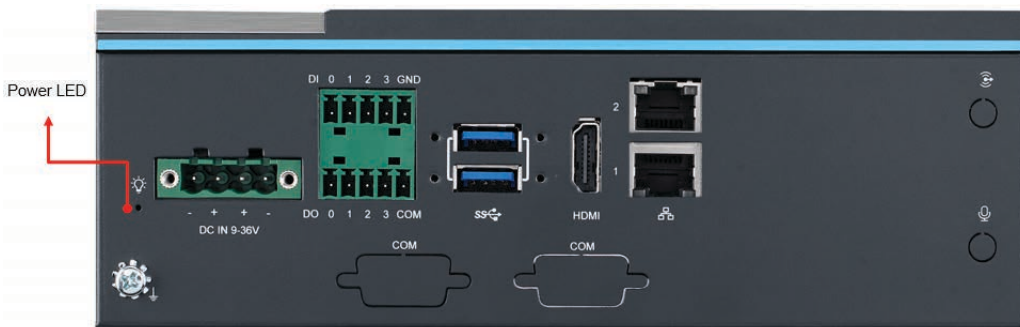




2.2 介面

2.2.1 電源指示燈

MIC-713 前面板設有電源開 / 關指示燈，該燈可指示系統開機狀態（綠色 LED）和系統關機 / 休眠狀態（紅色 LED）。



2.2.2 4 路數位輸入 / 數位輸出埠

MIC-713 在本機前面板提供了一組支援隔離式 4 路數位輸入與 4 路數位輸出的接頭。

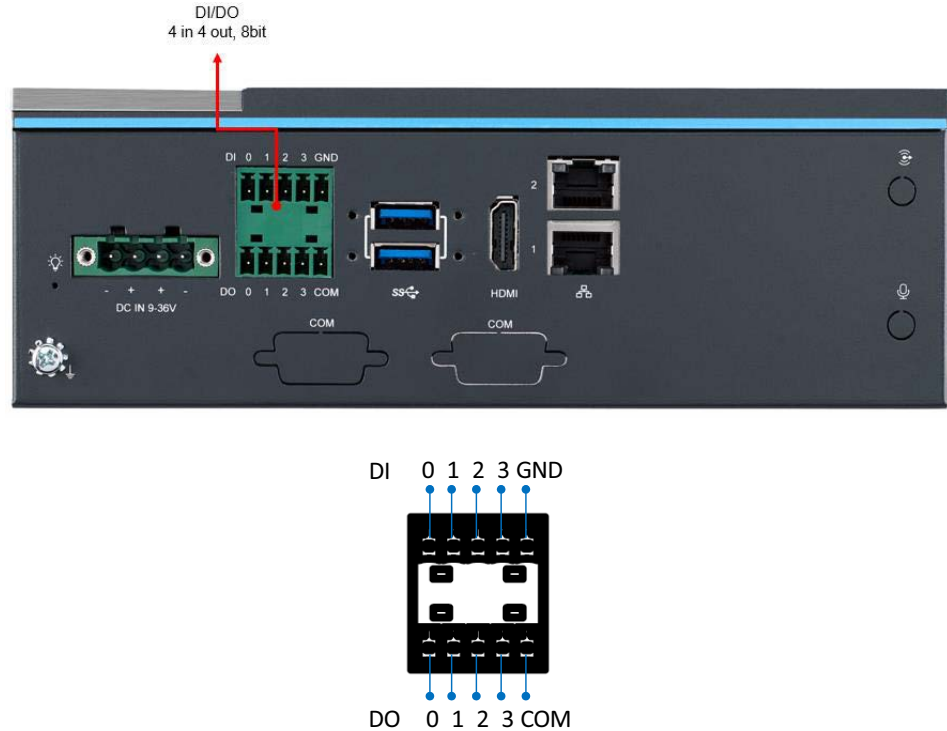


表 2.1: 隔離式數位輸入

Number of Input Channels	4
Optical Isolation	2500 V _{DC}
Input Voltage	<ul style="list-style-type: none"> ■ Dry contact: Logic1: Open Logic0: Close to ground ■ Wet contact: VIH(max.)=60 V_{DC} VIH(min.)= 5 V_{DC} VIL(max.)= 2 V_{DC}

表 2.2: 隔離式數位輸出

Number of Output Channels	4
Optical Isolation	500 V _{DC}
Supply Voltage	Sink 40 V _{DC}
Sink Current	0.2 A max./Channel

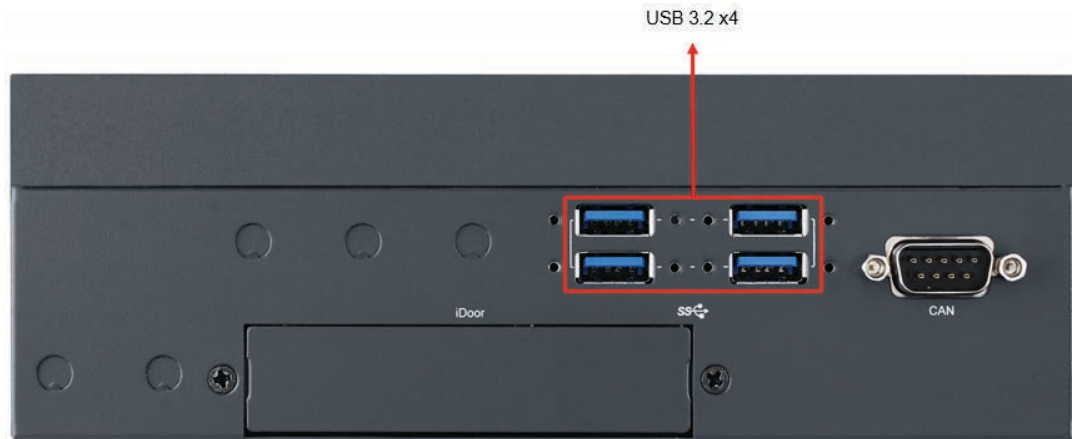
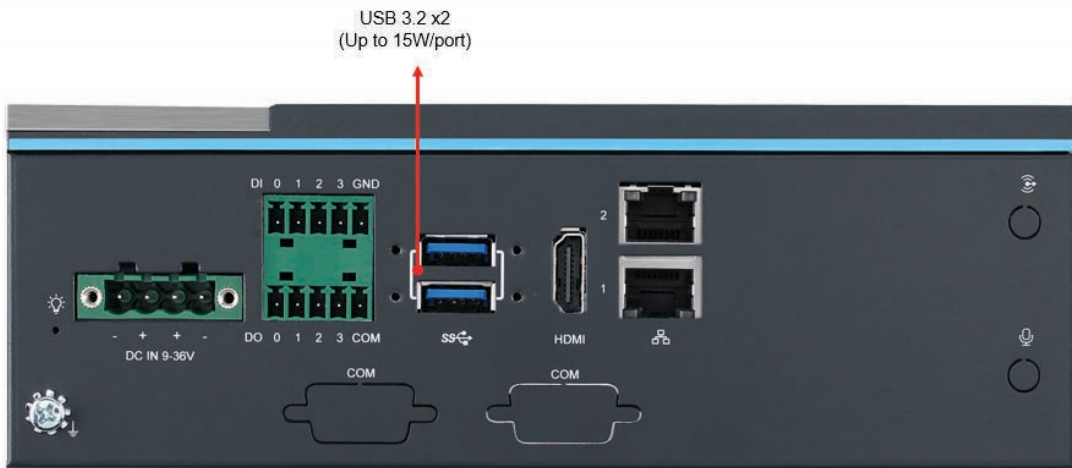
2.2.3 USB3.2

MIC-713 在前面板上提供了 2 個 USB3.2 Gen2 以及在後面板上提供了 4 個 USB3.2 Gen2，建議選擇 12 V（或以上）/120 W（或以上）電源適配器來使用。

在前面板上的 2 個 USB3.2 Gen2 埠可以提供最高至 15 W/ 埠的電源輸出。

在後面板上的 4 個 USB3.2 Gen2 埠可以提供最高至 4.5 W/ 埠的電源輸出。

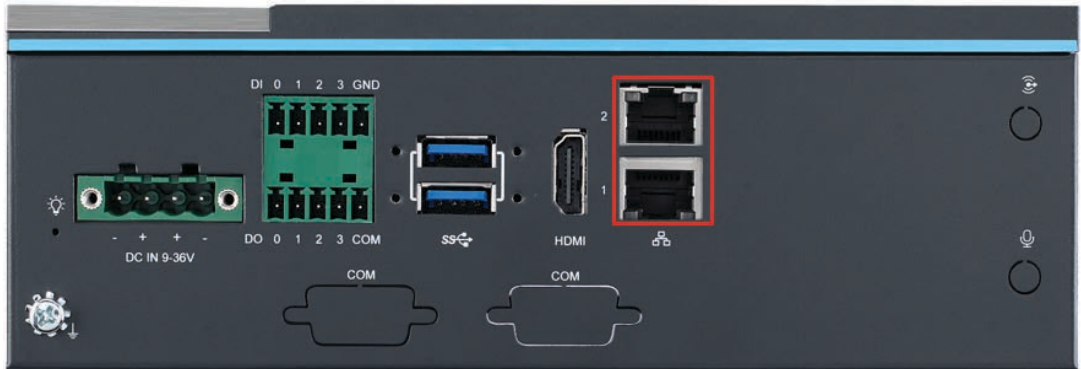
注！ 若使用 9V 適配器，則 6 個 USB 接口僅可提供總額 30W 之輸出。



2.2.4 網路

MIC-713 在本機前面板提供了兩組 / 五組網路埠，其上方各有兩個 LED 燈，綠色 LED 燈表示網路運作狀態，綠橘雙色燈表示網路速度。

2 lan sku



5 lan

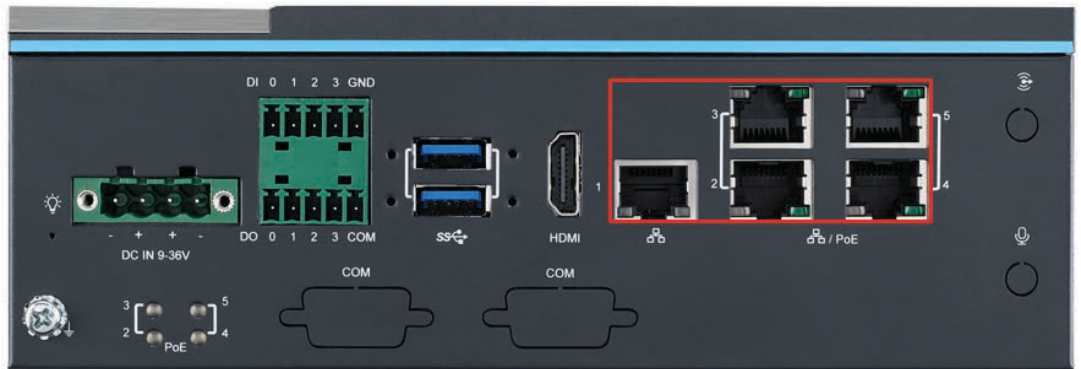


表 2.3: 網路

Green LED

OFF	ON	Blinking
LAN No connection	LAN Link	Activity on this port

Green-Amber LED

OFF	Green	Amber
Speed	Speed	Speed
10 Mbps	1G bps	100 Mbps

2.2.5 系統接地連接

請使用綠黃雙色的接地線（16 AWG）並搭配系統接地螺絲確實接地。



2.2.6 直流電輸入接頭

連接線使用直流電

1. 須由專業人員安裝。
2. 只使用銅導體。
3. 需選擇合適的線徑。
4. 適合 14 AWG 的接線盒扭矩值為 7 lb in。
5. 系統運作容許電壓範圍為 9 V_{DC} 至 36 V_{DC}。
6. 系統運作容許電流範圍為 15 A 至 5.6 A。

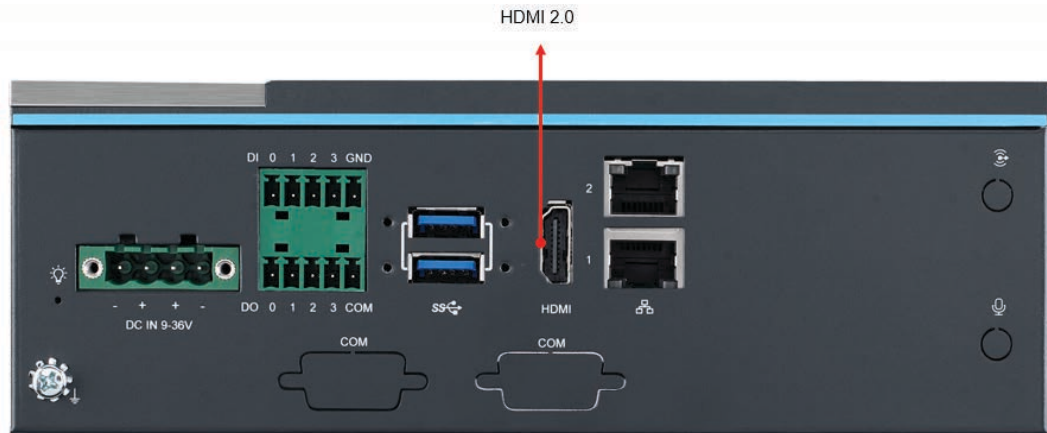
4 pin DC-IN connector



附註：若電源適配器僅提供 2 針 / 3 針形式鳳凰接頭，可使用系統配件盒內隨附的 4 針鳳凰接頭作更換使用

2.2.7 HDMI 接頭

MIC-713 在前窗提供一個 Type-A 形式的 HDMI 2.0 接頭供外接螢幕使用，其最高解析度為 3840x2160 @60Hz。



2.2.8 線性輸出與麥克風接頭（選購）

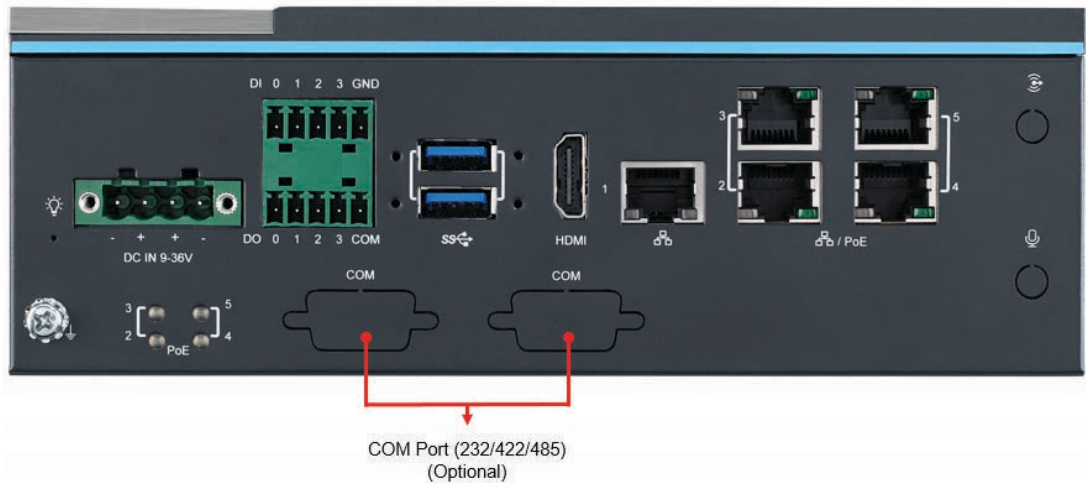
MIC-713 提供一個 3.5 mm 形式的線性輸出孔（僅供耳機使用）以及一個麥克風接孔，若有需要此功能，需另外選購研華料號 1700027920-01 之線材。



2.2.9 序列埠（選購）

MIC-713 提供 2 個 RS-232/422/485 序列埠可滿足相對應需求，若需要此序列埠，需另外選購研華料號 1700019968 之線材。

針對此序列埠的指撥開關功能調整，請參閱 3.1.5 章節。



2.2.10 控制器區域網路埠

MIC-713 提供一個 9 針形式之控制器區域網路 FD 埠，功能定義說明如下表。

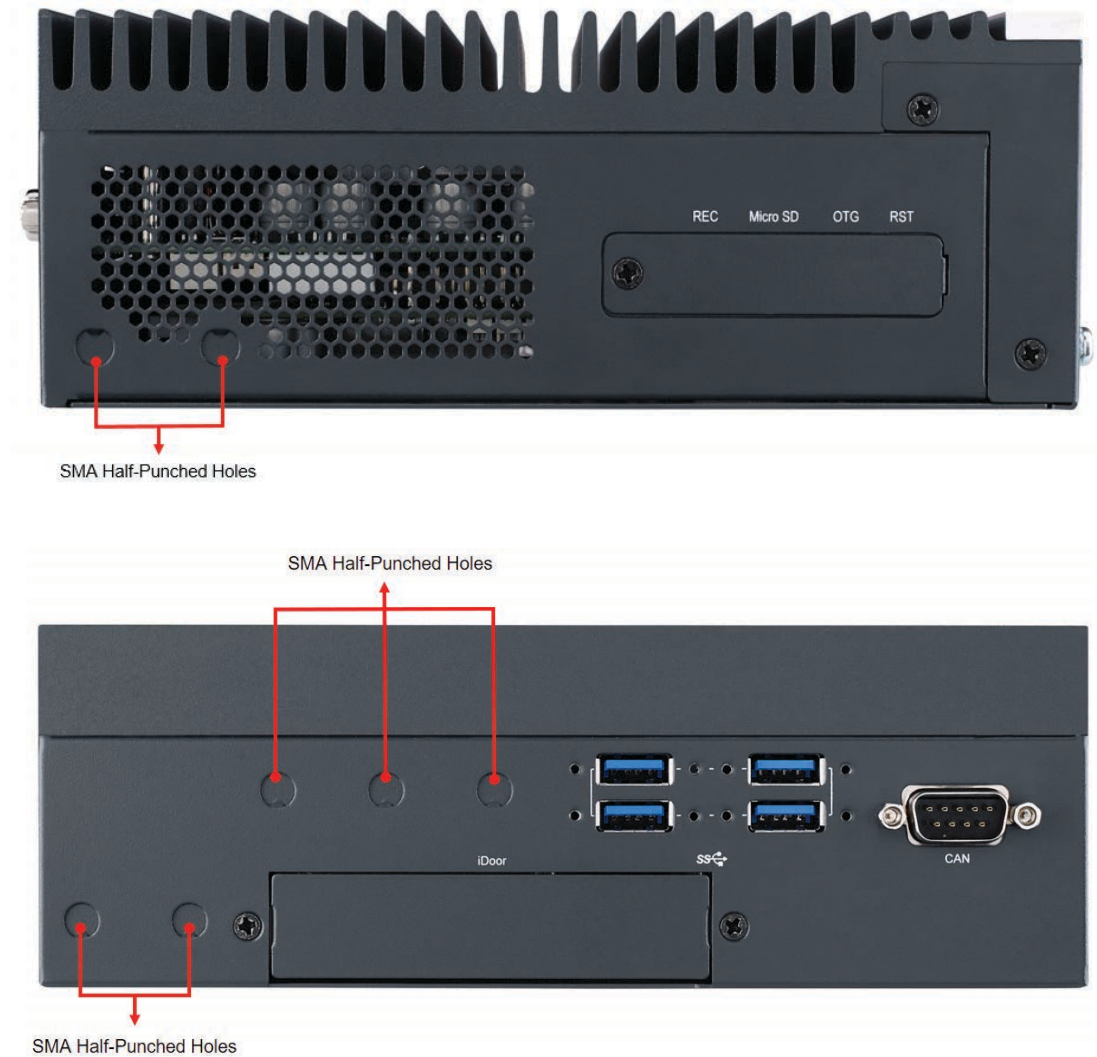


表 2.4: 控制器區域網路埠

Pin	Signal	Description
1	Reserved	No connection
2	CAN_L	CAN Low bus line
3	CAN_GND	CAN_GND
4	Reserved	No connection
5	CAN_Shield	CAN_Shield
6	CAN_GND	CAN_GND
7	CAN_H	CAN High bus line
8	Reserved	No connection
9	NC	No connection

2.2.11 反級性天線安裝半沖斷孔

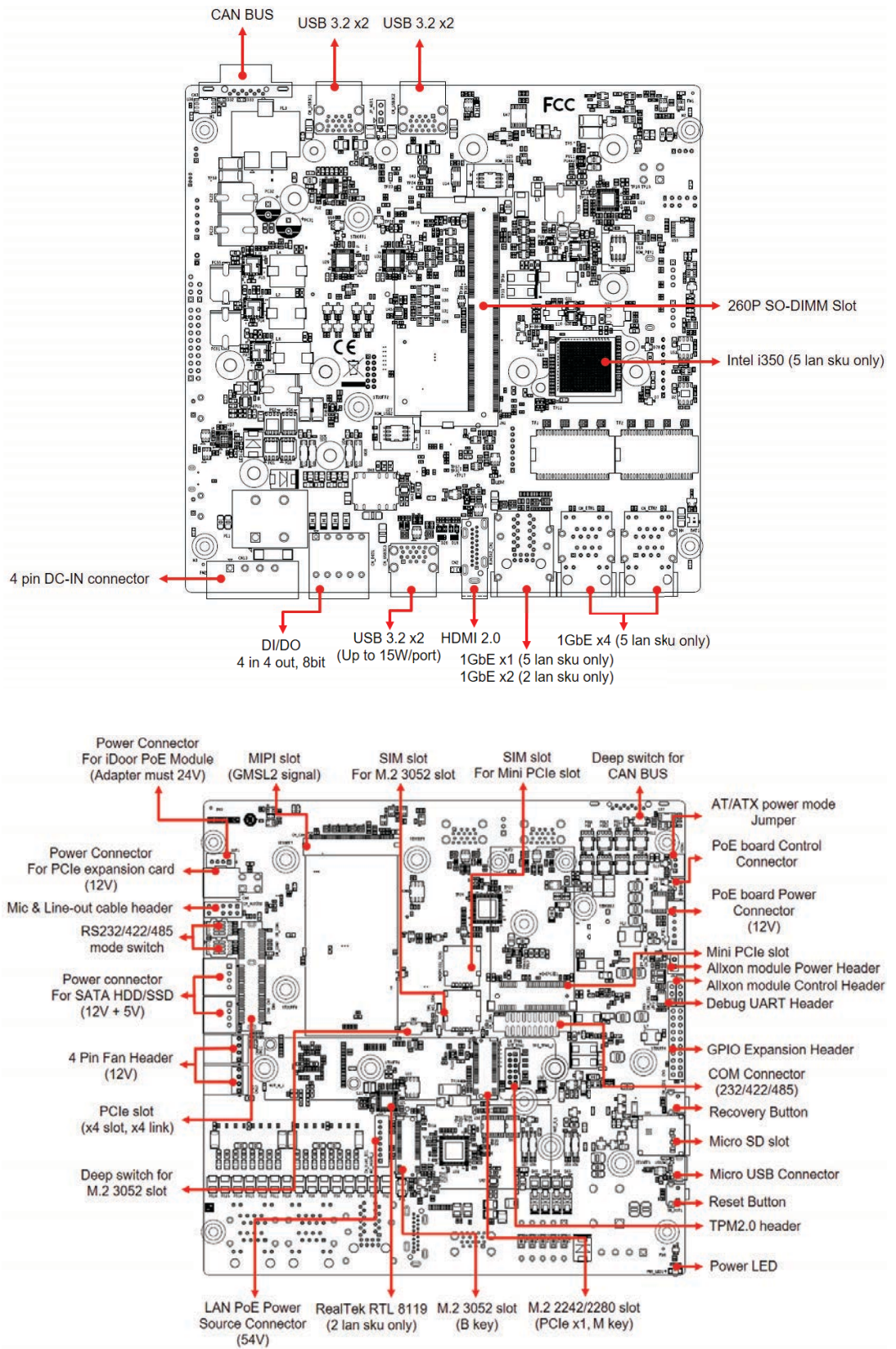
MIC-713 提供多至 7 個反級性天線安裝半沖斷孔，供給使用者針對其需求所要搭配安裝之無線 / 藍芽 / 全球衛星定位 / 4G/5G 功能卡片與天線使用。



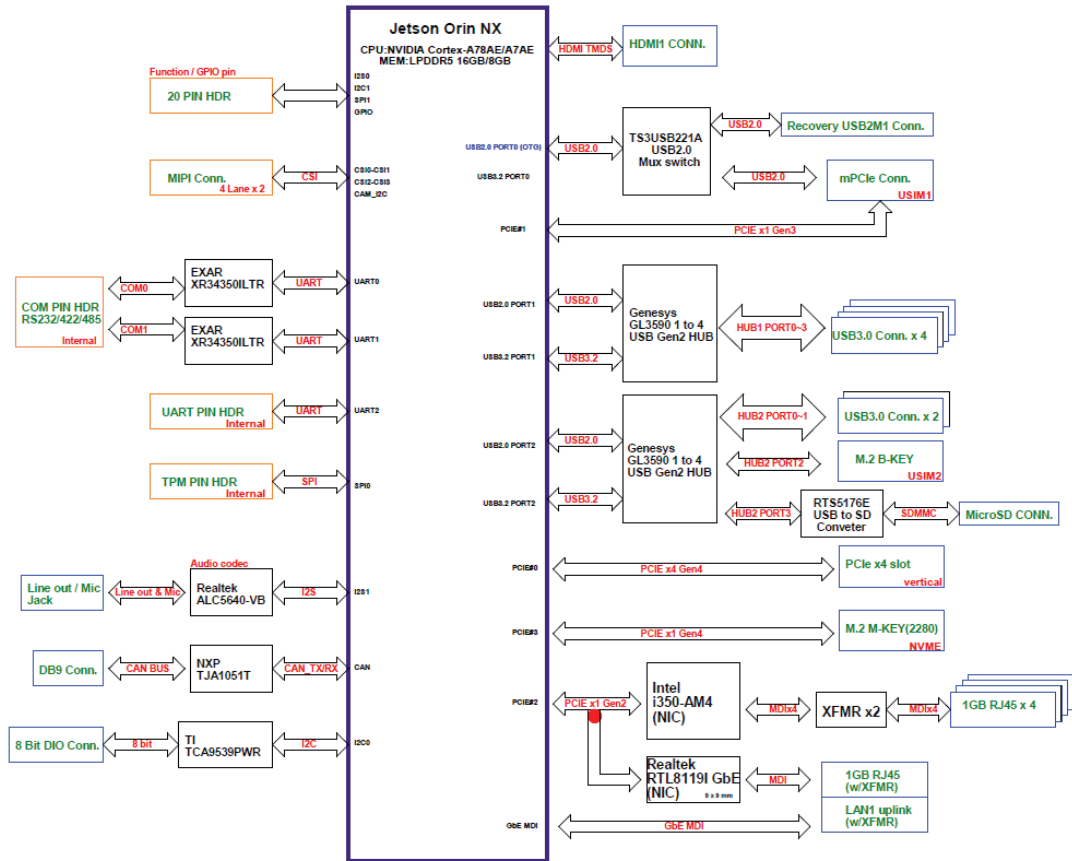
第 3 章

主機板元件配置概述

3.1 MIC-713 主機板元件配置概述



3.1.1 主機板方塊圖



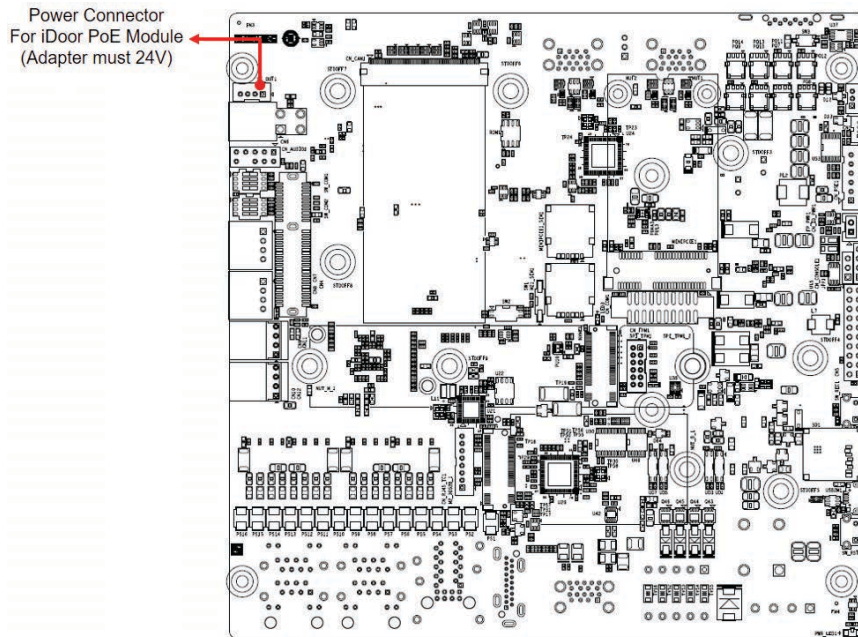
注：

1. Intel i350 僅用於 5 LAN SKU。
2. Realtek RTL8119L 僅用於 2 LAN SKU。

3.1.2 iDoor 模組專用電源接頭

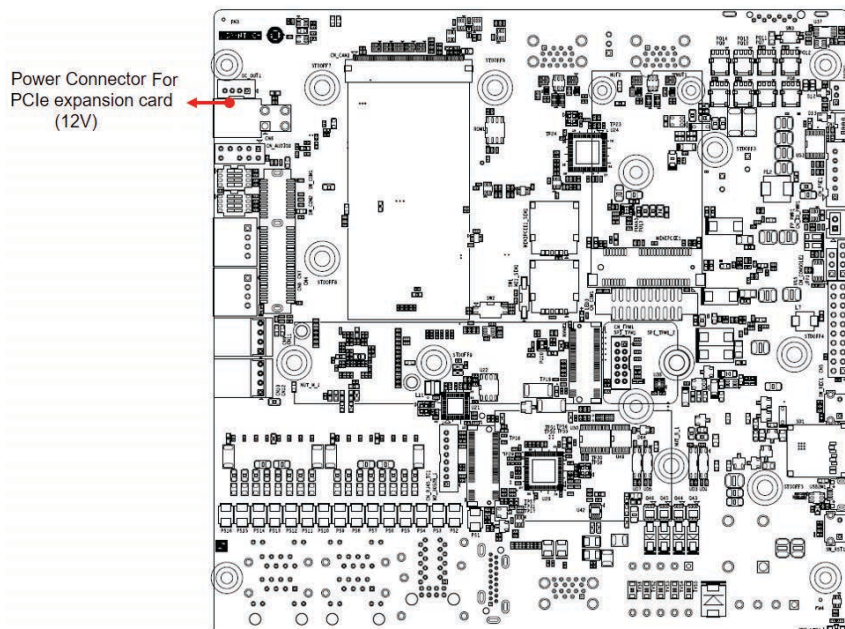
此接頭為專門供給iDoor相關裝置使用，此接頭輸出之電壓將與供給主機板 DC-IN 接頭的電源電壓相同。

若 iDoor 要安裝 PoE 擴充卡片，請注意供給 DC-IN 接頭的電壓必須為 $24 V_{DC}$ 。



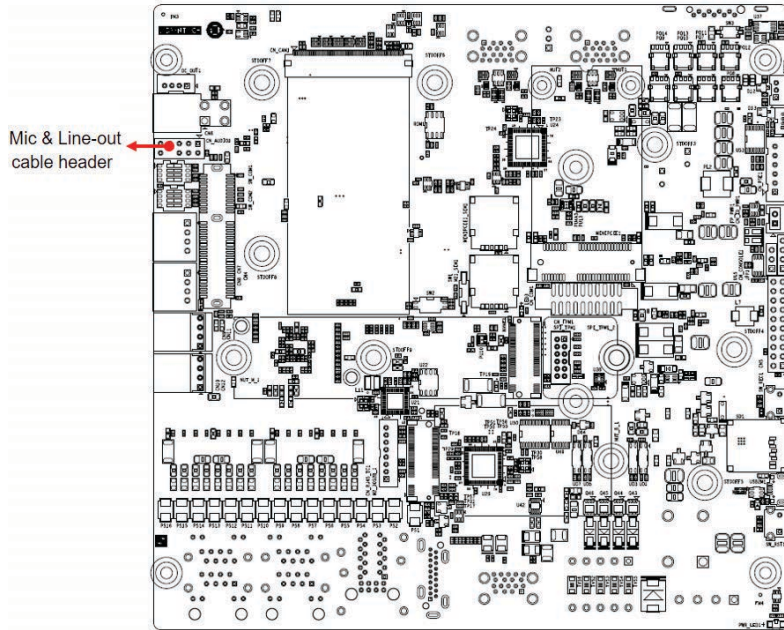
3.1.3 PCIe 擴充卡電源接頭

此接頭為專門供應額外 12 V 電源給 PCIe 擴充卡使用，供應上限為 25 W。



3.1.4 麥克風與線性輸出接頭

若有需要使用到麥克風與線性輸出功能，請搭配研華料號 1700027920-01 之產品使用，此產品需額外選購。



3.1.5 序列埠接頭與指撥開關

以下表格為序列埠指撥開關之設定說明，預設值為 RS-232 模式。

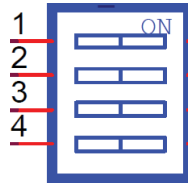
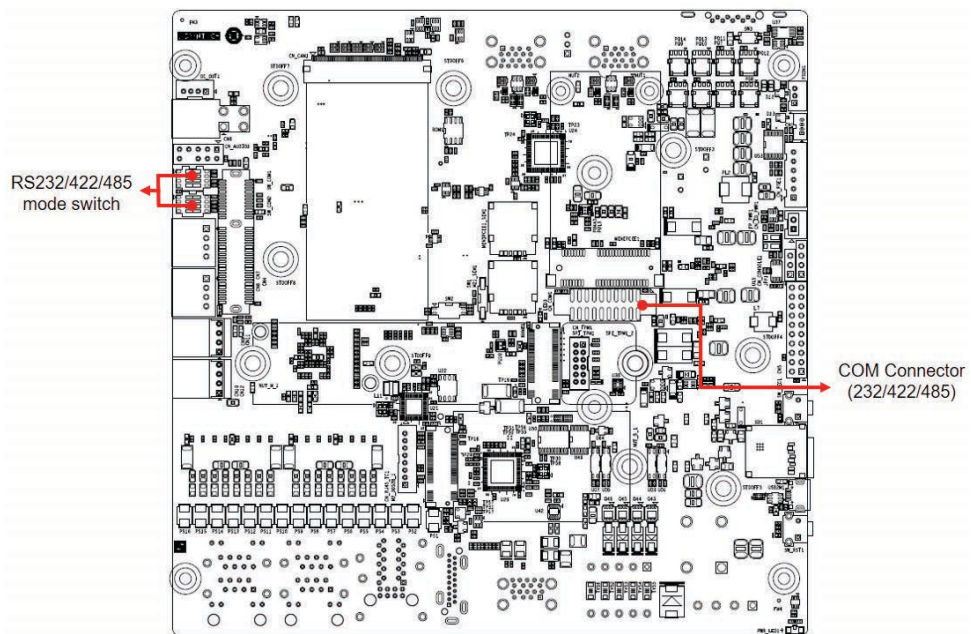


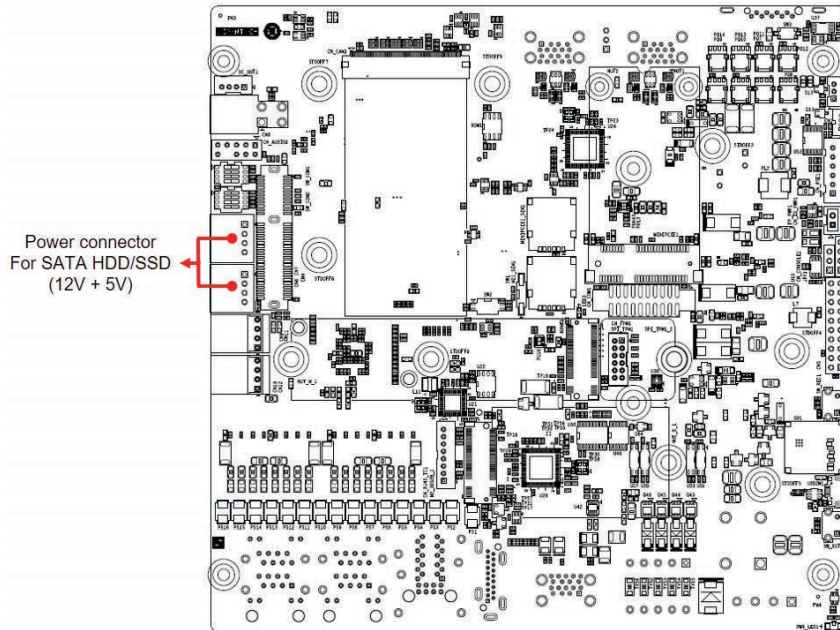
表 3.1: COM 端口开关设置

	Mode	Pin1	Pin2	Pin3	Pin4
SW_COM1 SW_COM2 Setting	RS-232	OFF	OFF	OFF	OFF
	RS-422	ON	OFF	ON- Receiver Termination Enable	ON-Bypass RTS polarity
	RS-485	ON	ON	OFF- Receiver Termination Disable	OFF- Invert RTS polarity



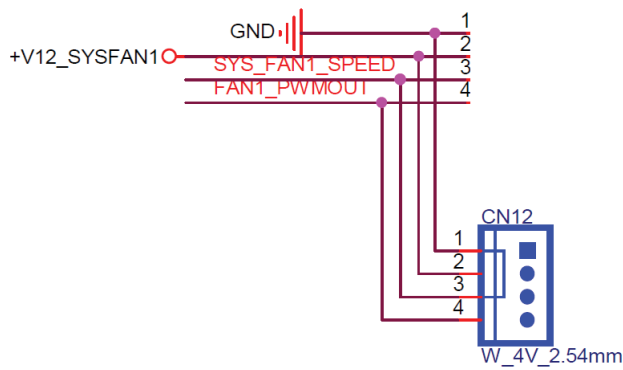
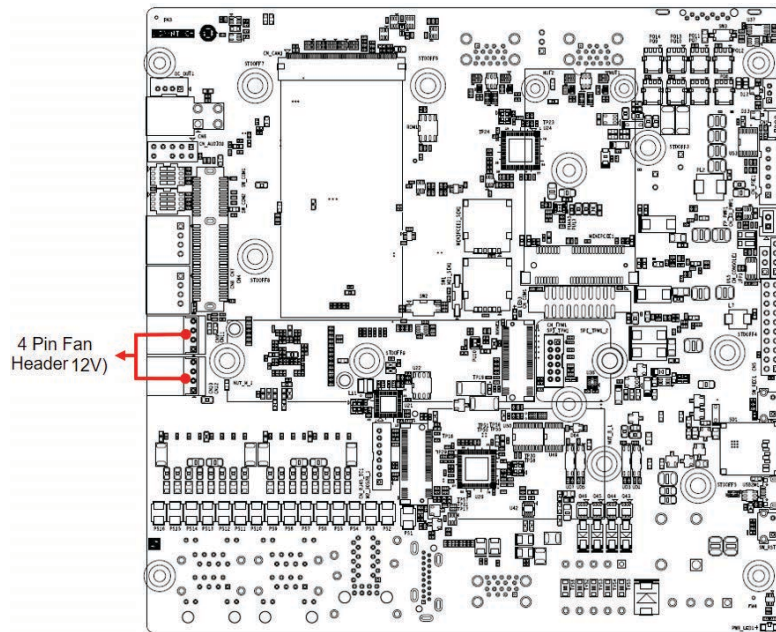
3.1.6 SATA 硬碟 / 固態硬碟電源接頭

此接頭可提供電源給 2.5 吋或 3.5 吋之硬碟/固態硬碟使用，若需相關電源線之研華料號，請洽研華之業務/應用工程師以獲得進一步之協助與資訊。



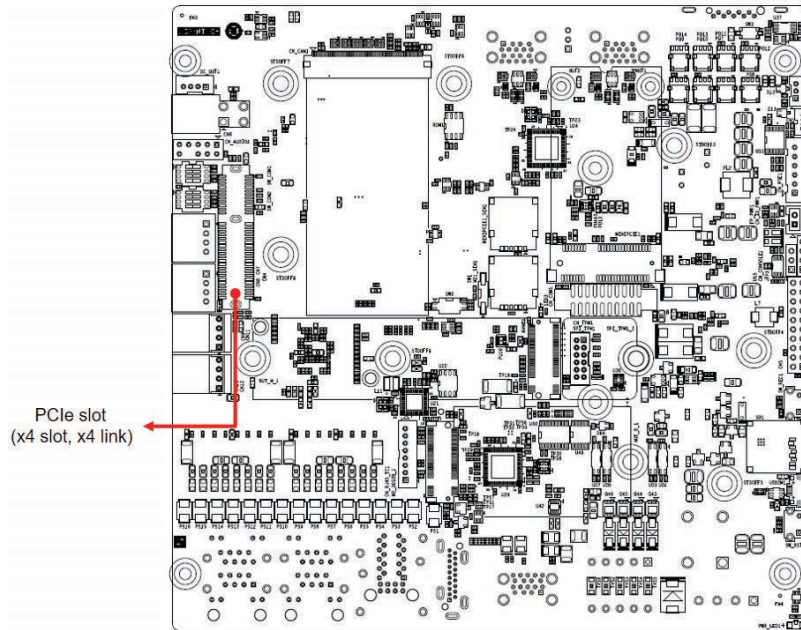
3.1.7 4-pin 風扇接頭

本主機板可提供 2 個 4-pin (2.54 mm pitch) 風扇接頭供客戶之相關場域使用。每個接頭可提供 12 V 電壓輸出，風扇對其抽載之上限不可超過 9.6 W。



3.1.8 PCI Express 擴充插槽

MIC-713 主機板提供了一個可供網卡/USB 卡...等使用的 PCIe Gen4 x4(x4 link) 擴充槽，擴充槽尾部為非封閉形式，讓擴充卡在使用上更具彈性。



3.1.9 M.2 3052 指撥開關

在某些特定卡片使用時會需要針對 M.2 3052 卡槽上第 20 與 22 腳位做電位調整，指撥開關之預設值為 OFF，說明請參閱下表。

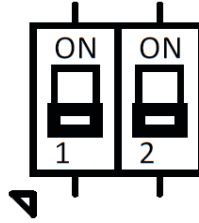
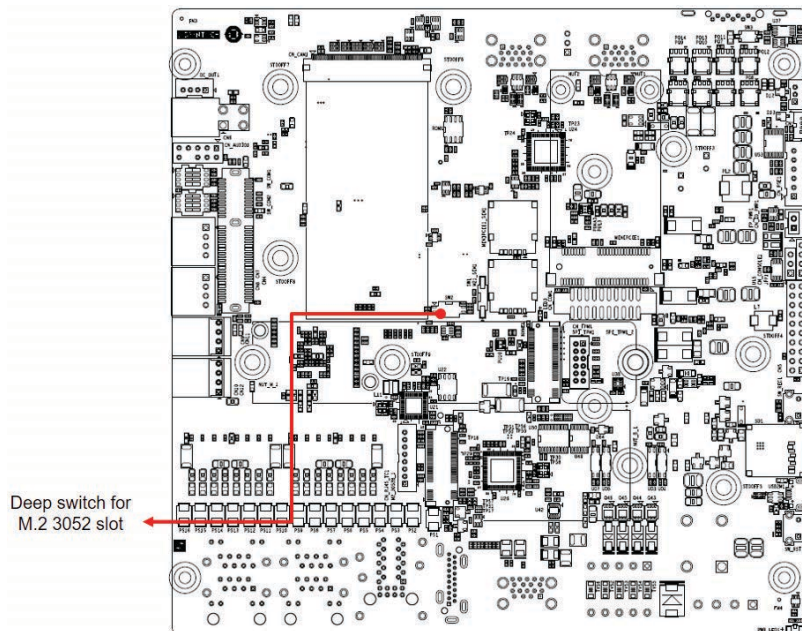


表 3.2: M.2 3052 指撥開關

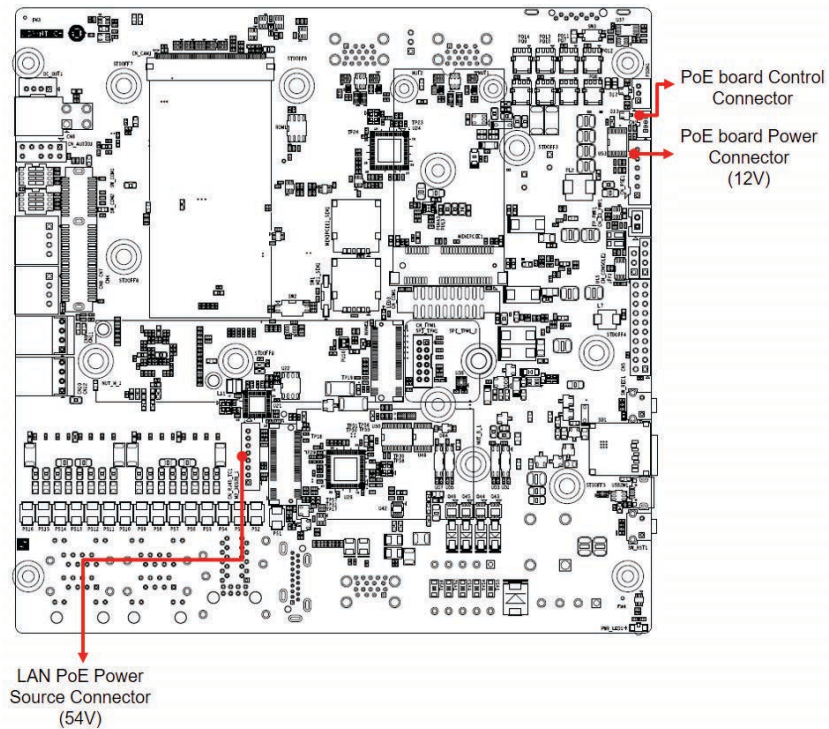
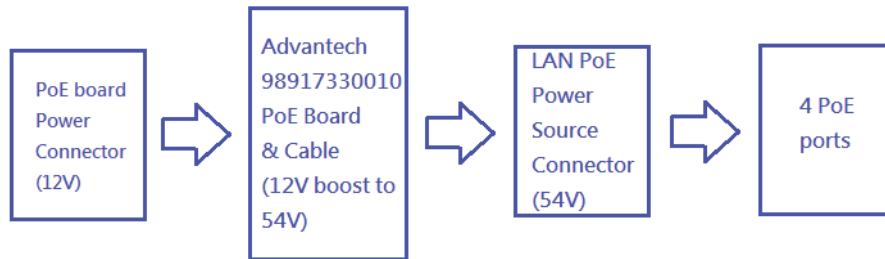
SW1	SEL	Status
SW1-1 (Pin 20)	ON	1.8 V pull high
SW1-2 (Pin 22)	OFF	NC (default)



3.1.10 PoE 升級套件（選購品）相關接頭

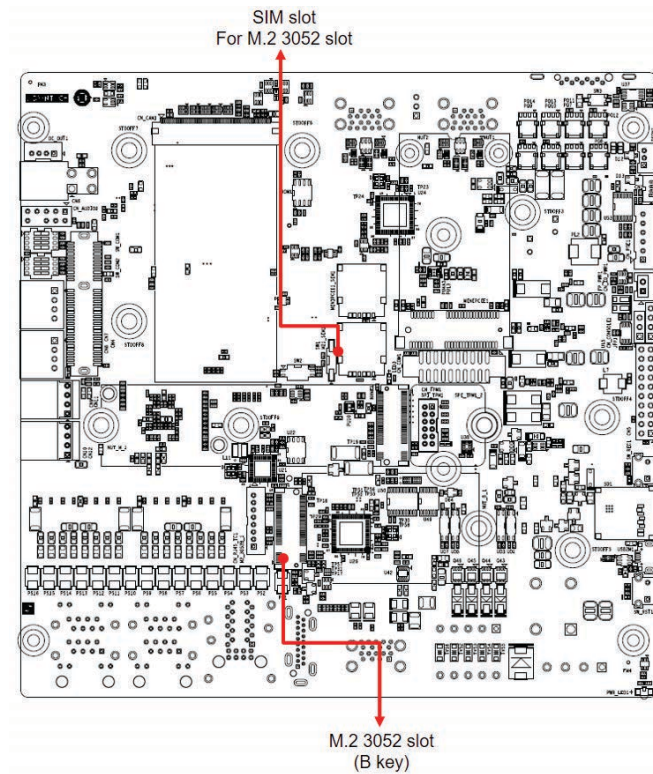
1. LAN PoE 電源供給接頭(54 V) - 此接頭可分別提供 54 V 電源給 4 個 PoE 網路埠使用，每埠最大可供應 15 W 給予終端裝置。
2. PoE 板卡電源接頭(12V)-此接頭傳導來自主機板上的 12 V 電源給選購之 PoE 電源板卡。
3. PoE 板卡控制接頭-此接頭為預留之內部開發功能使用。

以下圖表說明PoE網路埠之電源轉換流程與電源來源。



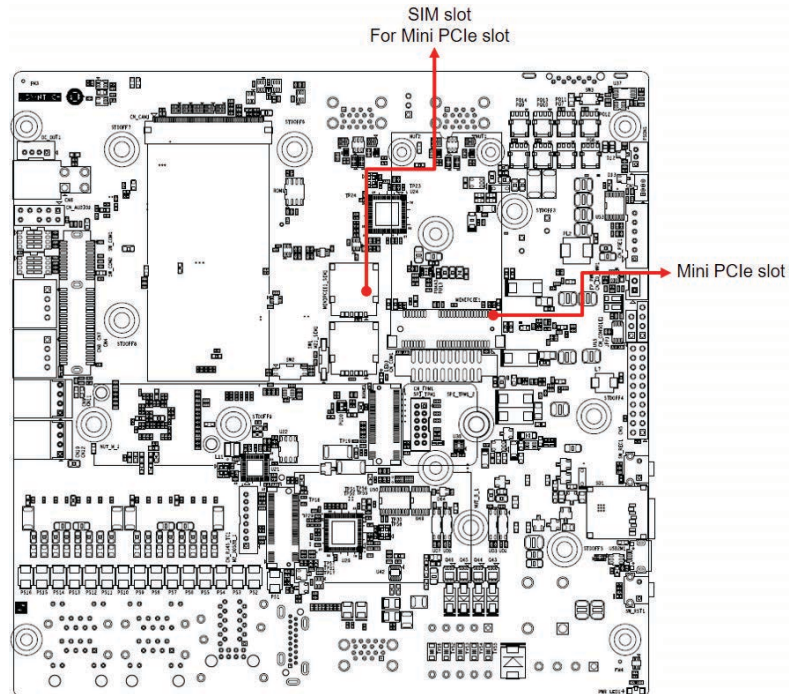
3.1.11 M.2 3052 與相關之 SIM 卡槽

1. M.2 3052 卡槽 - 此卡槽以 USB 2.0/3.2 訊號供給擴充卡片使用。
2. SIM 卡槽 - 若 M.2 3052 之裝置有需求，可以搭配下圖指示位置之 NANO SIM 卡槽來做使用。



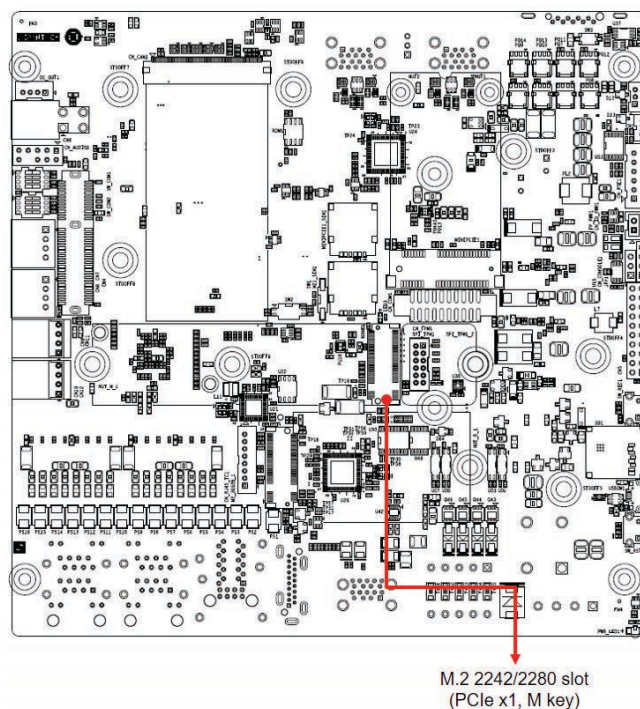
3.1.12 Mini PCIe 與相關之 SIM 卡槽

1. Mini PCIe 卡槽 - 此卡槽以 USB 2.0 以及 PCIe Gen3 x1 訊號供給擴充卡片使用。
2. SIM 卡槽 - 若 Mini PCIe 之裝置有需求，可以搭配下圖指示位置之 NANO SIM 卡槽來做使用。



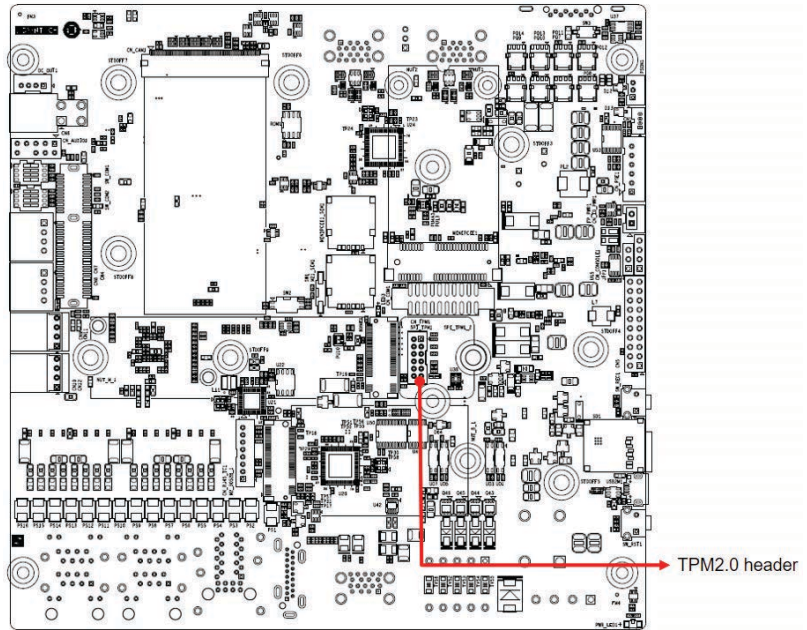
3.1.13 M.2 2242/2280 卡槽

此卡槽提供 PCIe Gen4 x1 訊號給 M.2 M-Key 形式的 2242/2280 裝置來安裝使用。若需要使用 M.2 2242 裝置，需要另外選購研華料號 1910000747 之零件，安裝該零件後再行裝入 M.2 2242 裝置於卡槽上。



3.1.14 信賴平台模組 2.0 接頭

此接頭可供信賴平台模組 2.0 版本裝置使用，研華相對應之選購產品料號為 PCA-TPMSPI-00A1。



3.1.15 還原按鈕 / 重啟按鈕 / Micro USB 接頭

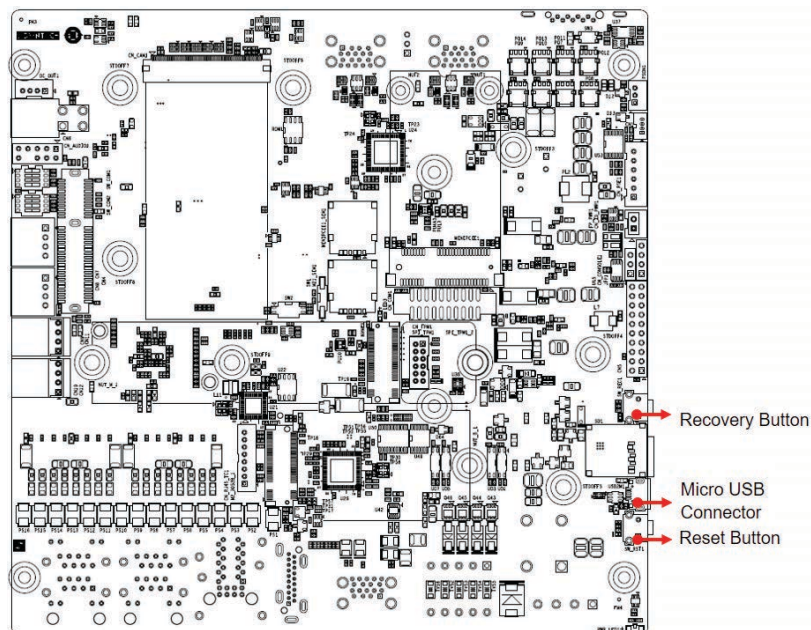
當需要對 MIC-713 進行更新時，首先必須要進入“強制 USB 還原模式”，在此模式下可以針對 MIC-713 的系統軟體或是對內部裝置組態配置做修改。

以下為更新步驟說明：

1. 準備一台主機，關於主機的細部說明，請參閱以下網址：
<https://www.advantech.com/en/campaign/industrial-ai-iot-solution-nvidia/resource>
2. 在進行刷新 MIC-713 之前，請確認 MIC-713 已經手動進入“強制 USB 還原模式”。
接著進行以下操作：
 - (a) 將 MIC-713 關機。
 - (b) 在 MIC-713 配件盒內取出 Micro USB 線，並將其對接於主機與 MIC-713 之間。
 - (c) 按下且持續壓住 MIC-713 主機板上的還原按鈕
 - (d) 按一下重啟按鈕
 - (e) 五秒之後，將先前持續壓住的還原按鈕放開
 此時請確認主機是否有成功辨認到 MIC-713
若辨識成功，接著在主機端輸入指令“lsusb”，若看到“NVIDIA Corp”字樣出現則代表 MIC-713 已成功進入還原模式

備註：

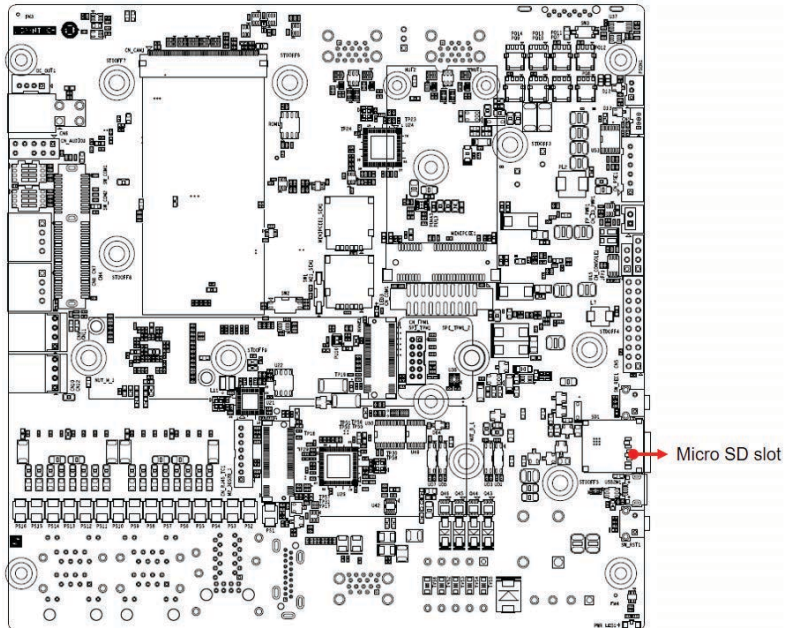
1. MIC-713 Orin NX 平台上之預設使用者名稱與密碼為：mic-713。
2. MIC-713 Orin Nano 平台上之預設使用者名稱與密碼為：mic-713on。
3. MIC-713 系列之 Root name 為：root。



3.1.16 Micro SD 卡槽

此卡槽提供 USB2.0 訊號供 Micro SD 卡片使用。

當有額外儲存空間需求時，請於本卡槽插入至少 64 GB 以上容量的 Micro SD 卡片以供後續使用。



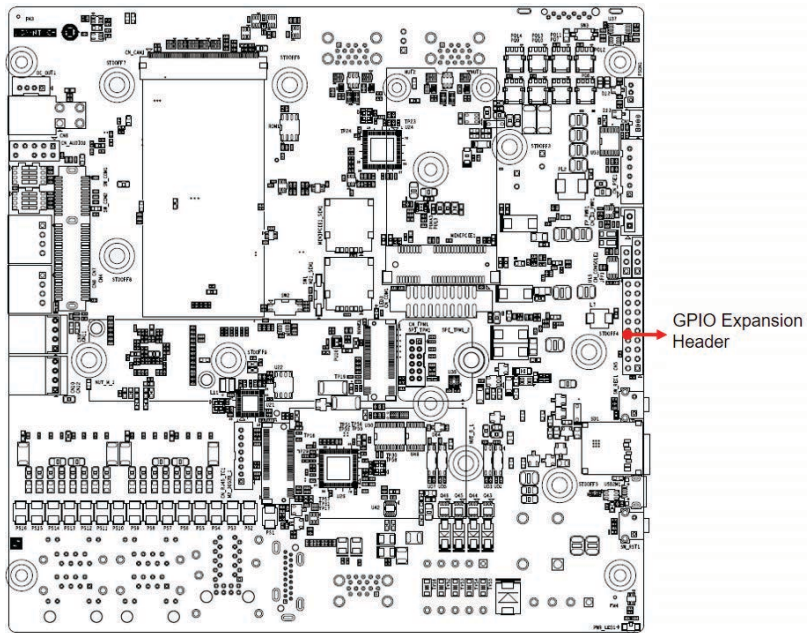
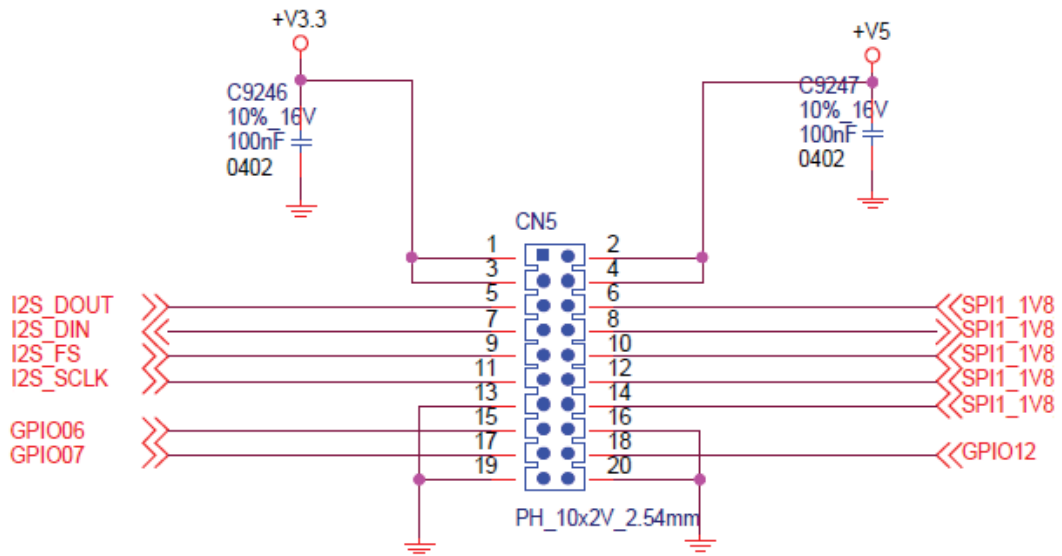
3.1.17 GPIO 擴充接頭

MIC-713 提供多個 GPIO 接頭供開發者使用，詳細功能與定義可參閱下表。

表 3.3: GPIO 擴充接頭

PIN	Signal	Description	I/O Voltage Level
1	3.3 V	Power +3.3 V	3.3 V
2	5 V	Power +5 V	5 V
3	3.3 V	Power +3.3 V	3.3 V
4	5 V	Power +5 V	5 V
5	I2S_DOUT	I2S Audio Data Out	1.8 V
6	SPI1_SCK	SPI Clock	1.8 V
7	I2S_DIN	I2S Audio Data In	1.8 V
8	SPI1_MISO	SPI Master In/Slave Out	1.8 V
9	I2S_FS	I2S Audio Left/Right Clock	1.8 V
10	SPI1_MOSI	SPI Master Out/Slave In	1.8 V
11	I2S_SCLK	I2S Audio Clock	1.8 V
12	SPI1_CS0	SPI Chip Select 0	1.8 V
13	GND	GND	N/A
14	SPI1_CS1	SPI Chip Select 1	1.8 V
15	GPIO06G	GPIO	1.8 V
16	GND	GND	N/A
17	GPIO07	GPIO	1.8 V
18	GPIO12	GPIO	1.8 V

19	GND	GND	N/A
20	GND	GND	N/A

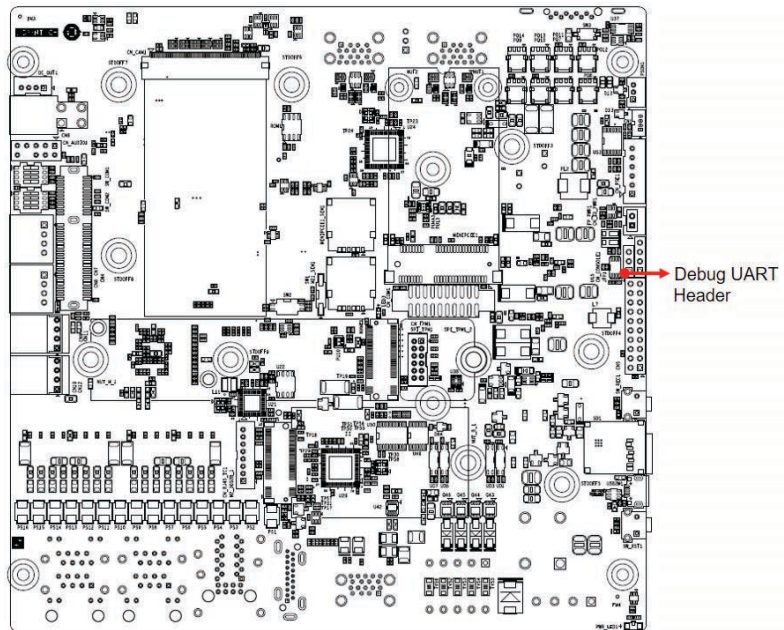
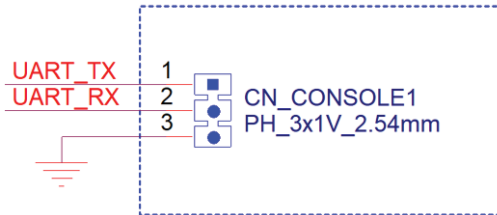


3.1.18 通用非同步收發傳輸器接頭

MIC-713 提供 UART 接頭供開發者使用，詳細功能定義可參閱下表。

表 3.4: 通用非同步收發傳輸器接頭

PIN	Signal	Description	IO Voltage Level
1	UART_TX	UART Transmit	1.8 V
2	UART_RX	UART Receive	1.8 V
3	GND	GND	N/A

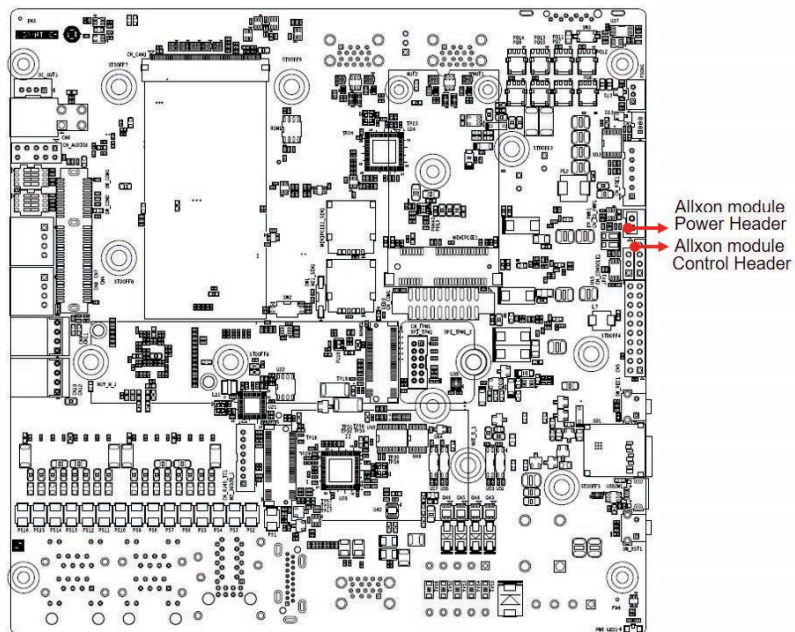
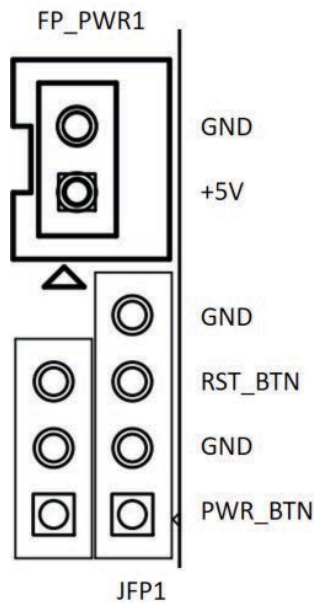


3.1.19 Allxon 模組專用電源 / 控制接頭

當 Allxon 遠端控制卡（研華料號：98RV710AL00）被安裝在主機板上時，請選購並搭配下表內列出的線材做使用。相關針腳圖示與定義說明如下方所示。

表 3.5: Allxon 模組專用電源/控制接頭

Function	PIN	Advantech Cable PN
Power 5 V	FP_PWR1 (PIN 1 & PIN 2)	1700034663-01
Power Button	JFP1 (PIN 1 & PIN 2)	1700034664-01
Reset Button	JFP1 (PIN 3 & PIN 4)	1700034665-01

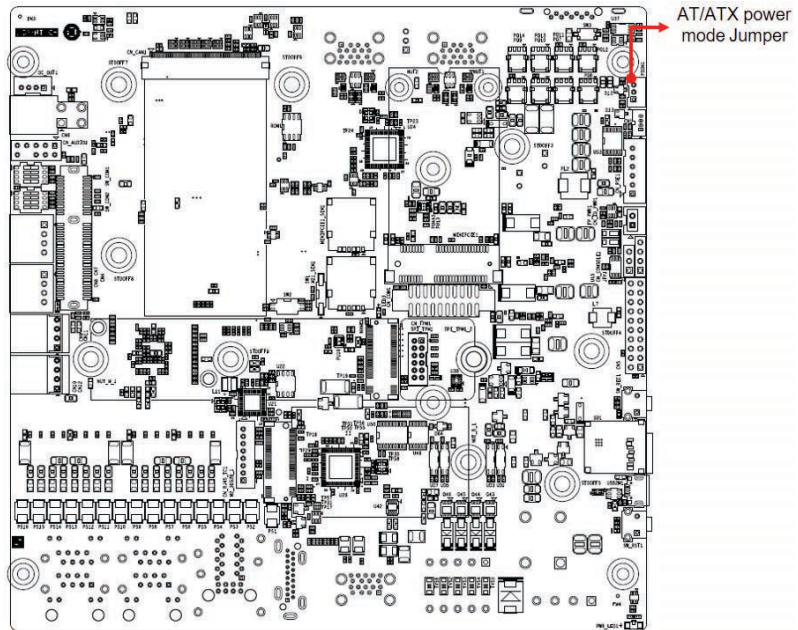


3.1.20 AT/ATX 電源模式調整跨接器

MIC-713 提供跨接器供使用者依據自身需求去做相對應調整，模式對照請參閱下表。

表 3.6: PSON1

針腳	電源模式
1-2	AT (預設)
2-3	ATX



3.1.21 控制器區域網路指撥開關

MIC-713 針對控制器區域網路提供了 120 歐姆阻值的指撥開關來防止訊號反射指撥開關預設設定為 OFF，調整說明請見下表。

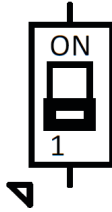
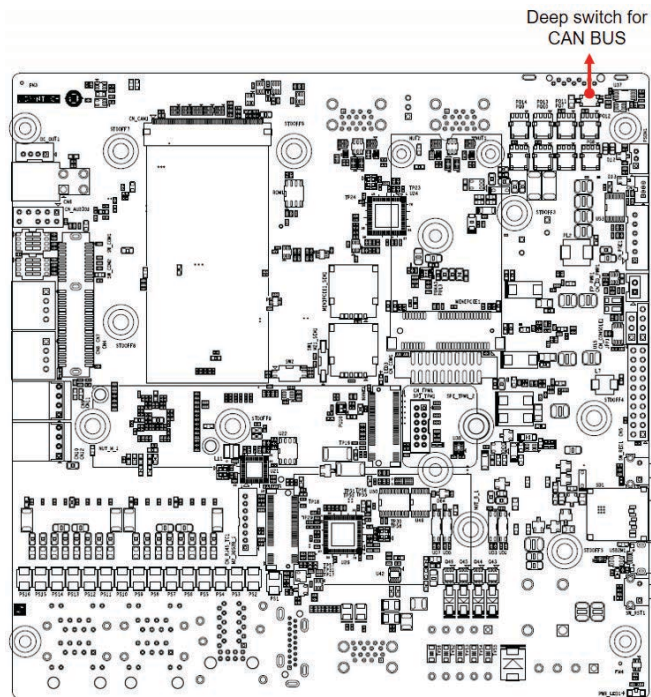


表 3.7: 控制器區域網路指撥開關

	SEL	Function
SW1	ON	Add 120 ohm
	OFF	Remove 120 ohm (default)

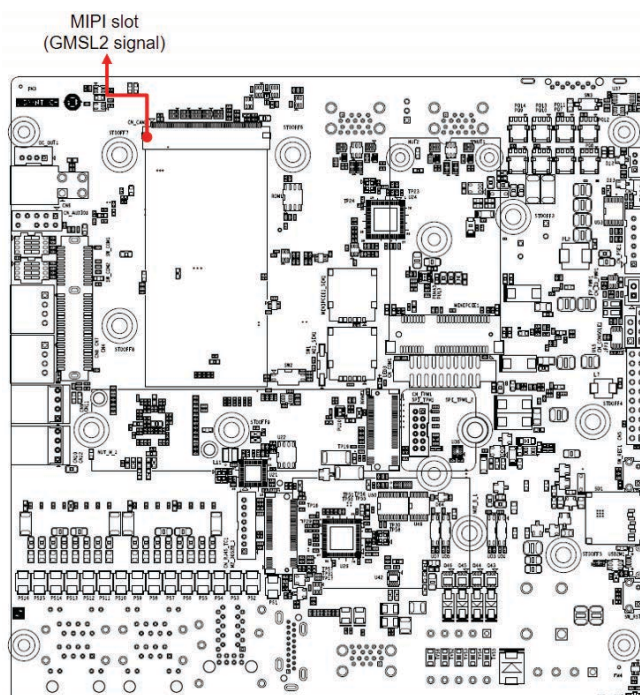
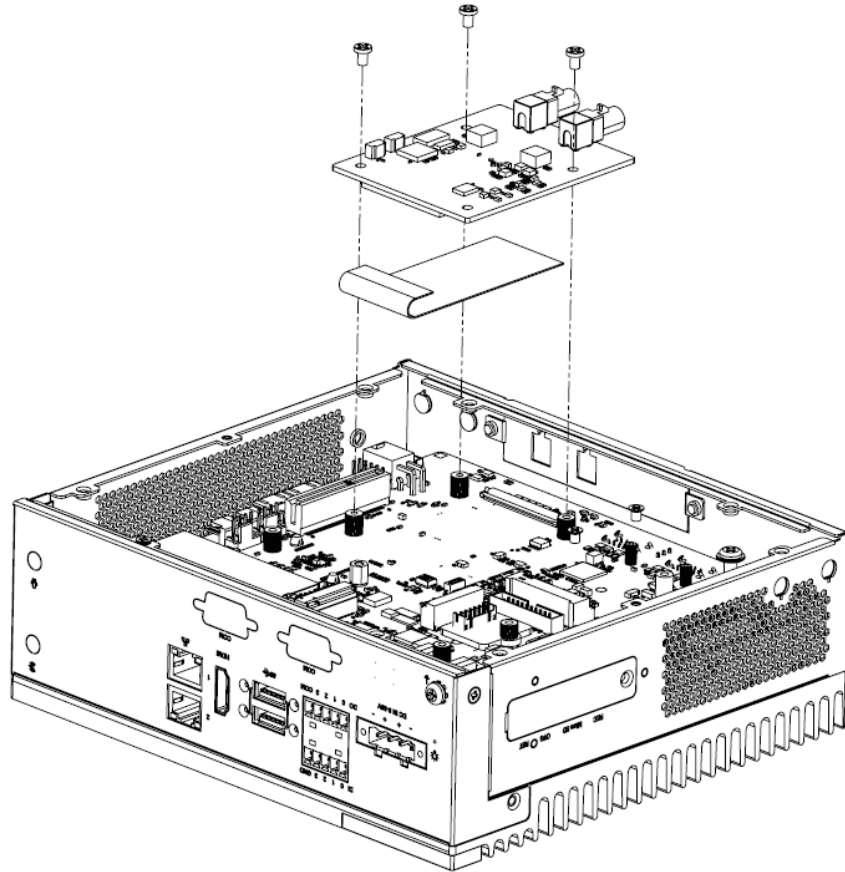


3.1.22 行動產業處理器介面卡槽

MIC-713 提供一個行動產業處理器介面卡槽供安裝研華設計之 GMSL2 卡片（選購品，雙路 FAKRA 接頭卡片，研華料號 968DD00294）使用。

有三顆螺絲必須搭配安裝使用（研華料號 1930005673-11），這三顆螺絲已先預鎖附在相對應銅柱上。

安裝示意圖如下：

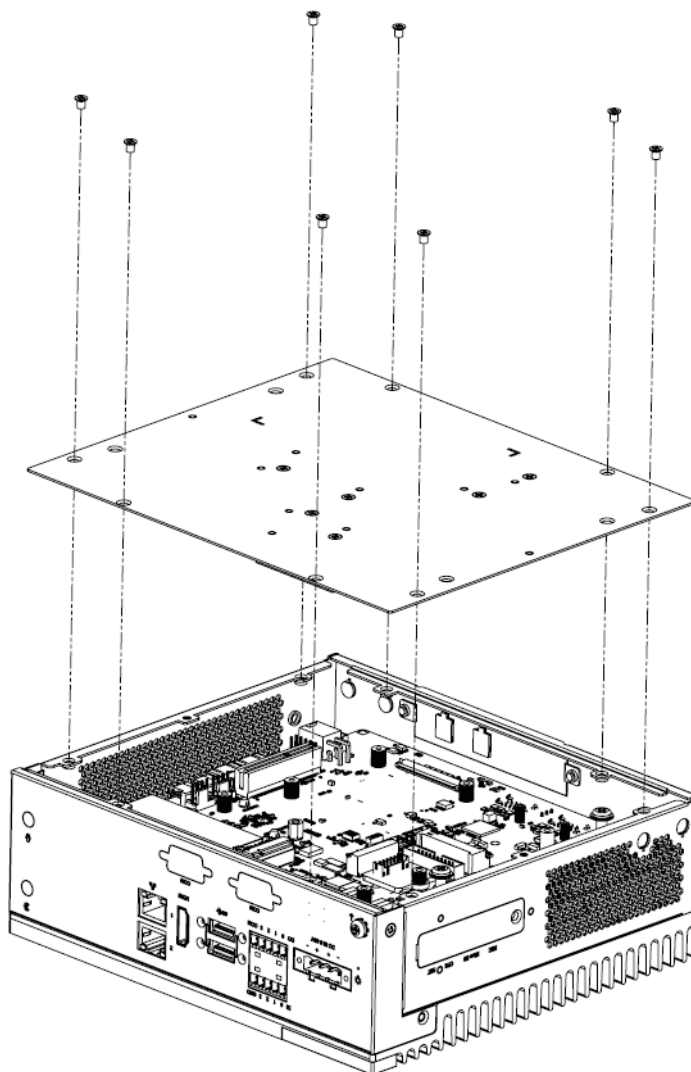


第 4 章

系統安裝

4.1 卸除底蓋

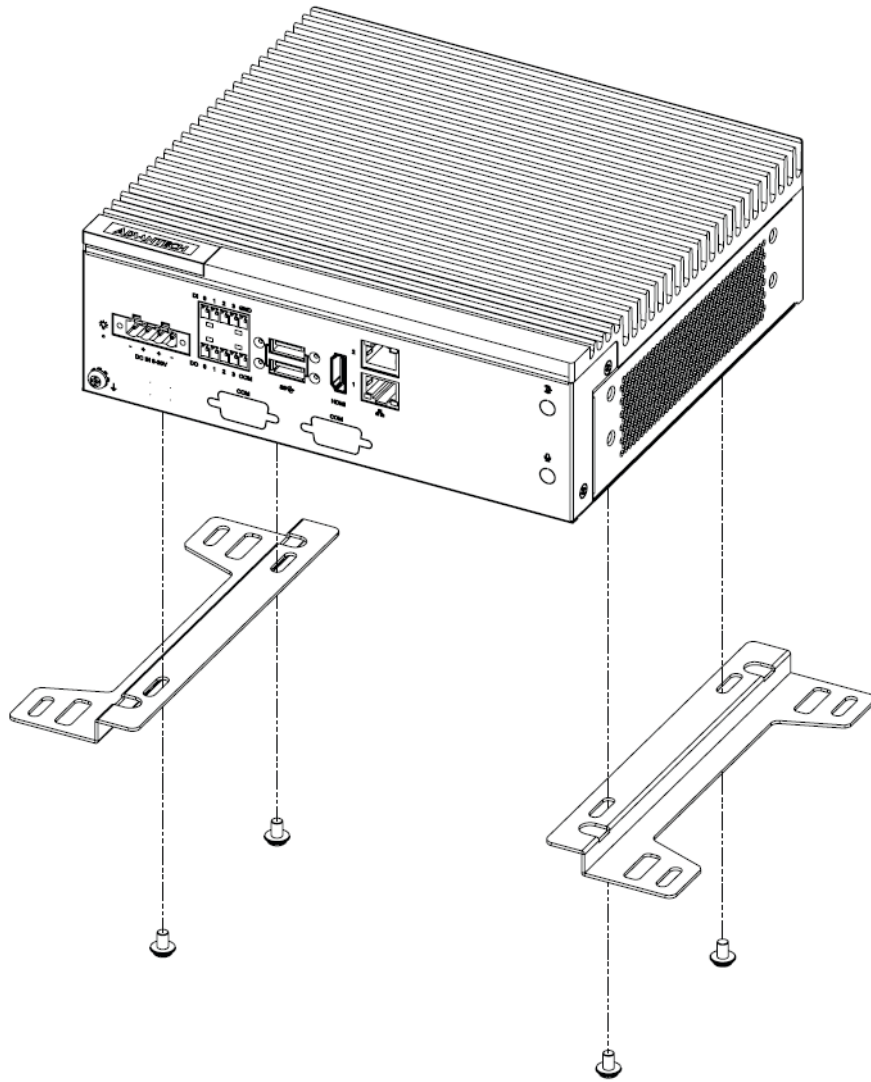
卸除 MIC-713 底蓋前須先移除 8 顆螺絲（研華料號 1930007979），螺絲位置示意如下。



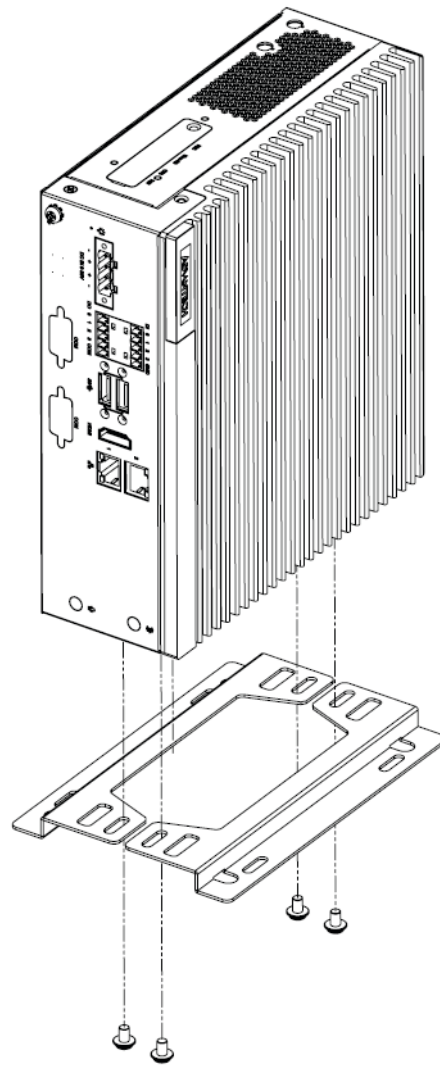
4.2 安裝支架

1. 從配盒內取出安裝支架（研華料號 1960110505N001）兩支。
2. 將支架藉由鎖附四顆螺絲（研華料號 1930007259-01）固定在系統上，一共有兩種固定方式，請參閱下圖。

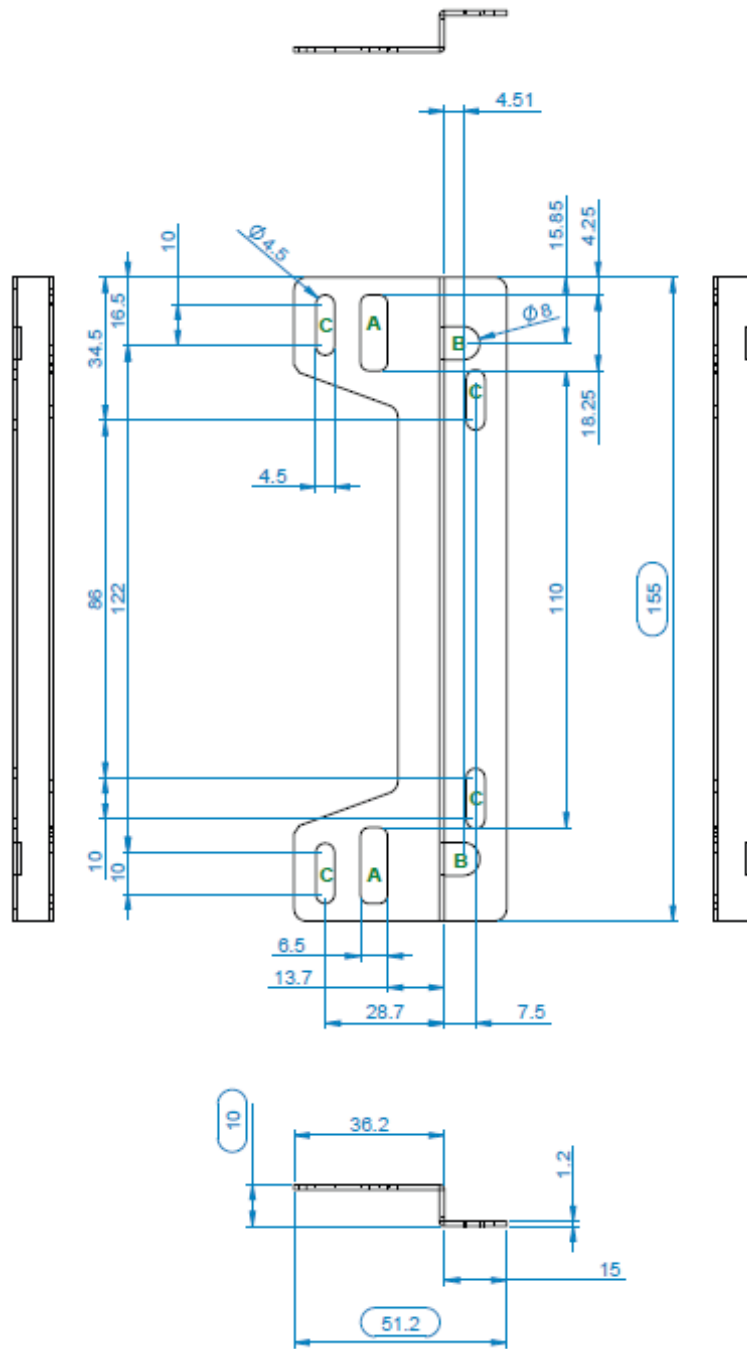
類型 1:



類型 2:



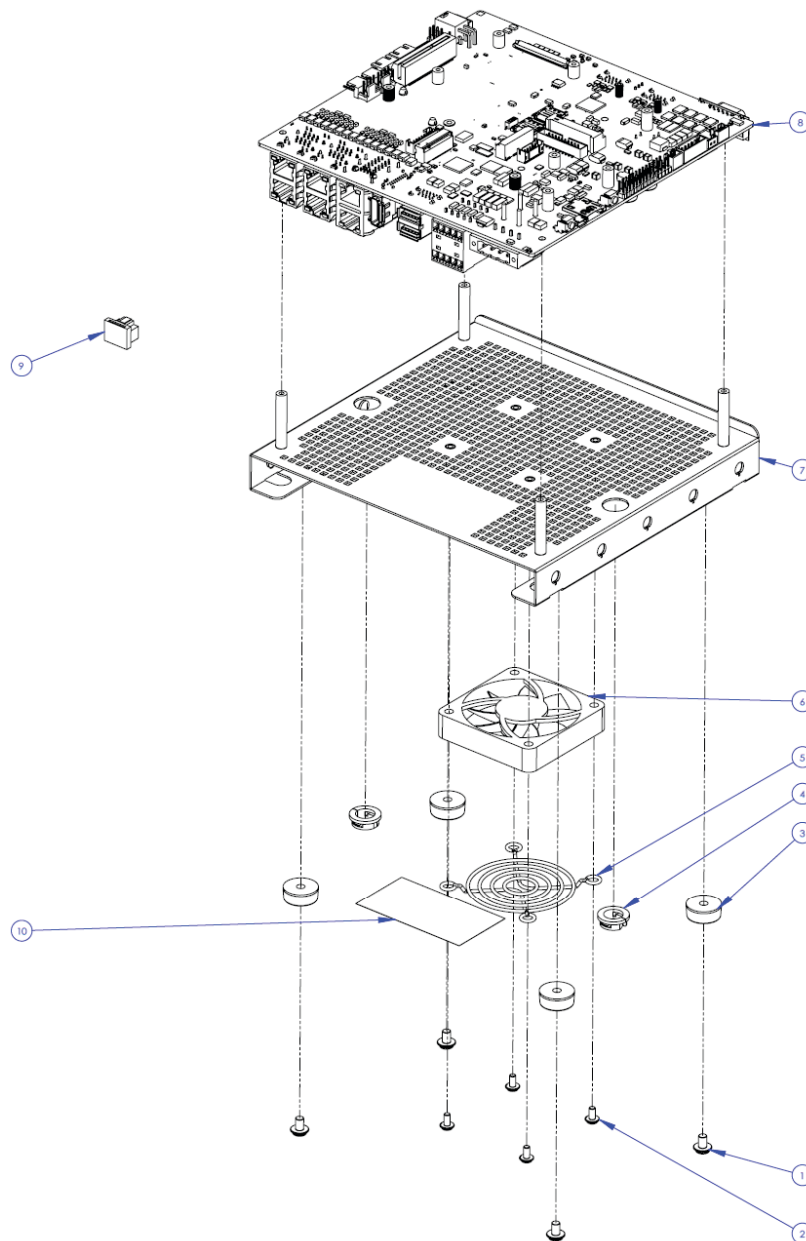
安裝支架尺寸圖



4.3 解決方案套件爆炸圖

表 4.1: 解決方案套件爆炸圖

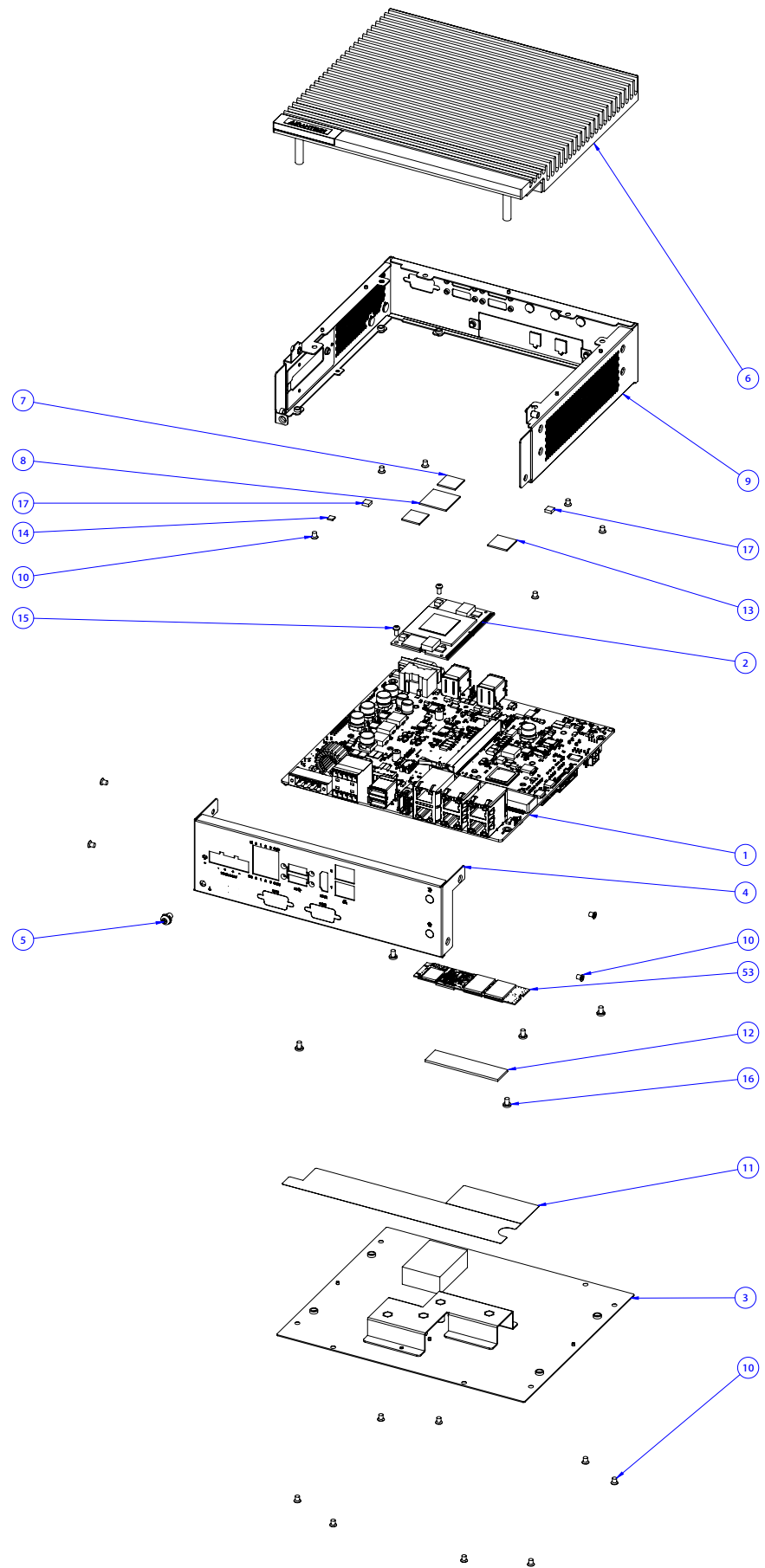
Item	Advantech PN	Description	Q' ty
1	1939000410	Screw M4*6L R/S(W) D=9 H=3 + ST Ni	4
2	1930000013	Screw M3x6L R/S(W) D=5.5/7 H=2.2 (2+) ST Ni	4
3	1990012452S000	Rubber Foot(NF-005IST) FOR ARK-3400	4
4	1994000040	Wire mount(sa-1013a)for IPC-602 A1	2
5	1962675110	FAN GUARD 60*60mm IPC-6751 (MFG-06) A1	1
6	1750000323	FAN 60*60*13 5400R 0.36A 12 V FOR ACP-2320	1
7	1960109252N001	DEV KIT Bracket for MIC-713 Powder 432C	1
8	96920071300	MIC-713_CB A101-2	1
9	1990000755S000	RJ45 COVER PINGOOD EBPC-5250 A1 NET-01-PPB	1
10	2000035349	Product Label FP MIC-713_PG00 A1	1



4.4 標準系統爆炸圖

表 4.2: 標準系統爆炸圖

Item	Advantech PN	Description	Q' ty
1	96920071310	MIC-713_CB A101-2 (2 LAN PORT)	1
2	968DD00271	NVIDIA Jetson Orin NX-16G	1
3	1960110398N001	Bottom Cover for MIC-713 Powder 432C	1
4	1950027792N011	Front Panel U WO PSE for MIC-713 Powder 432C	1
5	1935140630	R/S(TW) D=8.2 H=3.4 + M4*6L ST Zmc-3	1
6	1970005636T001	HS R3 Other 25 W 195x174.3x19.65 mm SCCPU	1
7	1990027474N020	Thermal-Pad 13.9x13.9x1mm TP K=8 Eapus PG80B	2
8	1990029568N010	Thermal-Pad 21x21x1mm TP K=8 Eapus PG80B	1
9	1950027791N001	Main Chassis U for MIC-713 Powder 432C	1
10	1930007979	Screw M3X4L S/S D=4.8 H=1 (2+) ST/H BZn	21
11	1990040228N000	MB Mylar for MIC-713	1
12	1990019167N000	Thermal-Pad 57x15x1.5 K=6 TP GR-Hm Fujipoly	1
13	1990022440N000	Thermal pad 15x15x1.0mm GR-Hm k=6 DES-SE06	1
14	1990035259N000	Thermal-pad 4X4X1mm K=6 TP GR-HM DMS-SA53	1
15	1935000100	Screw M2.5x5L R/S D=4.5 H=1.7 (1+) ST Ni	2
16	1930005673-11	Screw M3x4.5L F/S D=5.5 H=1.5 + ST Ni NK M9Bot	5
17	1990019402N000	THERMAL PAD 5x5x2.0mm GR-Hm K=6 FPM-3121G	2
18	SQF-C8MV2-128GDEDM	SQF M.2 2280 720-D 128G 3D TLC BiCS5 (- 20~85° C)	1



附錄 A

限用物質含有情況標示
聲明書

限用物質含有情況標示聲明書
Declaration of the Presence Condition of the Restricted Substances Marking

PLM MDR NO: MDR-006990

設備名稱：電腦 Equipment name	型號（型式）：MIC-713-0X4A1；MIC-713-0X3A1； MIC-713-0N3A1；MIC-713-0N2A1； MIC-713S-0X4A1；MIC-713S-0X3A1； MIC-713S-0N3A1；MIC-713S-0N2A1 Type designation (Type)					
單元 Unit	限用物質及其化學符號 Restricted substances and its chemical symbols					
	鉛 Lead (Pb)	汞 Mercury (Hg)	鎘 Cadmium (Cd)	六價鉻 Hexavalent chromium (Cr ⁺⁶)	多溴聯苯 Polybrominated biphenyls (PBB)	多溴二苯醚 Polybrominated diphenyl ethers (PBDE)
電路板	-	○	○	○	○	○
內外殼（外殼、內部 框架 … 等）	○	○	○	○	○	○
其它固定組件（螺 絲、螺柱）	-	○	○	○	○	○
存取裝置	-	○	○	○	○	○
嵌入式模組系統	○	○	○	○	○	○
線材	○	○	○	○	○	○
散熱模組	-	○	○	○	○	○
<p>備考 1：“超出 0.1 wt %”及“超出 0.01 wt %”係指限用物質之百分比含量超出百分比含量基準值。 Note 1: “Exceeding 0.1 wt %” and “exceeding 0.01 wt %” indicate that the percentage content of the restricted substance exceeds the reference percentage value of presence condition.</p> <p>備考 2：“○”係指該項限用物質之百分比含量未超出百分比含量基準值。 Note 2: “○” indicates that the percentage content of the restricted substance does not exceed the percentage of reference value of presence.</p> <p>備考 3：“-”係指該項限用物質為排除項目。 Note 3: The “-” indicates that the restricted substance corresponds to the exemption.</p>						

茲切結保證所提供之商品限用物質含有情況標示內容係經執行測試作業或採適當之品質管理措施，並備置前述相關文件，確認正確無誤後提供貴局。並同意配合貴局執行後市場管理作業所需，依商品檢驗法第 49 條之規定，於限期 28 個工作天內提供相關證明文件以供審查。

I hereby ensure that “the presence conditions of the restricted substance” provided above have been proved by testing or appropriate quality control measures, and make sure the relevant documents provided are correct and ready. Also, I agree to cooperate with BSMI, as the Article 49 of the Commodity Inspection Act stipulates, to provide the relevant documents, if needed, for verification within 28 working days when BSMI carries out the market surveillance activities.

MIC-713 系列型號

MIC-713S-OX3A1	MIC-713S-ON2A1	MIC713SOX2301-T	MIC713SON2301-T	MIC713OX2301-T	MIC713ON2301-T
MIC-713S-OX3A2	MIC-713S-ON2A2	MIC713SOX2302-T	MIC713SON2302-T	MIC713OX2302-T	MIC713ON2302-T
MIC-713S-OX3B1	MIC-713S-ON2B1	MIC713SOX2303-T	MIC713SON2303-T	MIC713OX2303-T	MIC713ON2303-T
MIC-713S-OX3B2	MIC-713S-ON2B2	MIC713SOX2401-T	MIC713SON2401-T	MIC713OX2401-T	MIC713ON2401-T
MIC-713S-OX3C1	MIC-713S-ON2C1	MIC713SOX2402-T	MIC713SON2402-T	MIC713OX2402-T	MIC713ON2402-T
MIC-713S-OX4A1	MIC-713S-ON3A1	MIC713SOX2403-T	MIC713SON2403-T	MIC713OX2403-T	MIC713ON2403-T
MIC-713S-OX4A2	MIC-713S-ON3A2	MIC713SOX2501-T	MIC713SON2501-T	MIC713OX2501-T	MIC713ON2501-T
MIC-713S-OX4B1	MIC-713S-ON3B1	MIC713SOX2502-T	MIC713SON2502-T	MIC713OX2502-T	MIC713ON2502-T
MIC-713S-OX4B2	MIC-713S-ON3B2	MIC713SOX2503-T	MIC713SON2503-T	MIC713OX2503-T	MIC713ON2503-T
MIC-713S-OX4C1	MIC-713S-ON3C1	MIC713SOX2601-T	MIC713SON2601-T	MIC713OX2601-T	MIC713ON2601-T
MIC-713-OX3A1	MIC-713-ON2A1	MIC713SOX2602-T	MIC713SON2602-T	MIC713OX2602-T	MIC713ON2602-T
MIC-713-OX3A2	MIC-713-ON2A2	MIC713SOX2603-T	MIC713SON2603-T	MIC713OX2603-T	MIC713ON2603-T
MIC-713-OX3B1	MIC-713-ON2B1	MIC713SOX2701-T	MIC713SON2701-T	MIC713OX2701-T	MIC713ON2701-T
MIC-713-OX3B2	MIC-713-ON2B2	MIC713SOX2702-T	MIC713SON2702-T	MIC713OX2702-T	MIC713ON2702-T
MIC-713-OX3C1	MIC-713-ON2C1	MIC713SOX2703-T	MIC713SON2703-T	MIC713OX2703-T	MIC713ON2703-T
MIC-713-OX4A1	MIC-713-ON3A1				
MIC-713-OX4A2	MIC-713-ON3A2				
MIC-713-OX4B1	MIC-713-ON3B1				
MIC-713-OX4B2	MIC-713-ON3B2				
MIC-713-OX4C1					

ADVANTECH

Enabling an Intelligent Planet

www.advantech.com.cn

使用前請檢查核實產品的規格。本手冊僅作為參考。

產品規格如有變更，恕不另行通知。

未經研華公司書面許可，本手冊中的所有內容不得通過任何途徑以任何形式複製、翻印、翻譯或者傳輸。

所有的產品品牌或產品型號均為公司之注冊商標。

© 研華公司 2023