

Rugged Laptop

L156 Series



Model No. L156AD
L156AD-M1
L156AD-4KM1

Quick Start Guide

Safety Information



General Product Safety Sécurité générale des produits

- Do not block any ventilation openings. Do not place the product against a wall or in an enclosed space as doing so might impede the flow of cooling air.
- *[FR] Ne pas bloquer les ouvertures de ventilation. Ne pas placer le produit contre un mur ou dans un espace clos de façon à entraver la circulation de l'air de refroidissement.*
- Do not place the product near any heat sources such as radiators, warm air intakes, stoves or other heat-generating devices (including amplifiers or other heat producing equipment).
- *[FR] Ne pas placer le produit près d'une source de chaleur comme des radiateurs, les arrivées d'air chaud, poêles ou autres produits générant de la chaleur (y compris les amplificateurs ou autre équipement produisant de la chaleur.)*
- Protect the power cord from being crushed or pinched, particularly in the area of the plugs, any receptacles used, and the point of exit from the apparatus. Do not break off the ground pin of the power cord.
- *[FR] Empêcher le cordon d'alimentation d'être écrasé ou pincé, en particulier dans les zones de prises, des containers utilisés, et du point de sortie de l'appareil. Ne pas casser la broche de terre du cordon d'alimentation.*
- Do not disregard the safety that a polarized or grounded connection can provide. A polarized connection consists of two plugs, one of which is larger than the other. A grounded connection has two blades and a third one that is grounded. If the main plug provided cannot be inserted into your outlet, consult an electrician to replace your obsolete outlet.
- *[FR] Ne pas ignorer la sécurité qu'une prise polarisée ou une prise de terre peut prévoir. Une prise polarisée se compose de deux fiches, dont l'une est plus large que l'autre. Une prise de terre possède deux lames et une troisième qui est la terre. Si la fiche principale fournie ne peut être insérée dans votre prise, consultez un électricien pour remplacer votre prise obsolète.*
- Use only accessories specified by the manufacturer.
- *[FR] Utiliser uniquement les accessoires spécifiés par le fabricant.*

- This product should not be used near water such as bathtubs, sinks, swimming pools, wet basement, etc.
- *[FR] Ce produit ne doit pas être utilisé près de l'eau comme les baignoires, les éviers, les piscines, les sous-sols humides, etc.*

- Use only with its transport carriage, stand, tripod, console or table specified by the manufacturer or sold with the product. When using a carriage, move the carriage assembly with the product carefully to avoid damage from falling over.
- *[FR] Utiliser uniquement avec son chariot de transport, support, trépied, console ou table spécifiés par le fabricant ou vendu avec le produit. Lors de l'utilisation d'un charriot, déplacez l'ensemble chariot avec le produit avec soin pour éviter tout dommage de chute.*

- Unplug this apparatus during lightning storms or when it is not being used for long periods.
- *[FR] Débrancher cet appareil durant les orages ou lorsqu'il n'est pas utilisé pendant de longues périodes.*

- Refer all servicing to qualified service personnel. A technical intervention is required when the apparatus has been damaged in any way, for example if the power cord or plug is damaged, liquid has been spilled or objects have fallen inside the unit, if the product has been exposed to rain or moisture, if it does not operate normally or if it has been dropped.
- *[FR] Confier toute réparation à du personnel qualifié. Une intervention technique est nécessaire lorsque l'appareil a été endommagé de quelque façon, par exemple si le cordon d'alimentation ou la fiche est endommagé, du liquide a été renversé ou des objets sont tombés à l'intérieur de l'unité, si le produit a été exposé à la pluie ou à l'humidité, s'il ne fonctionne pas normalement ou s'il a été jeté.*



General Guideline Directive générale

It is recommended to reboot the device when some functions are defect or inactive. If it still can't solve the problems, please contact your dealer or agent.

Il est recommandé de redémarrer l'appareil lorsque certaines fonctions sont défectueuses ou inactives. Si le problème persiste, veuillez contacter votre revendeur ou votre agent.

Handling and Maintenance



General Guideline Guide Général

Keep the product at least 13 cm (5 inches) away from electrical appliances that can generate a strong magnetic field such as TV, refrigerator, motor, or a large audio speaker.

[FR] Garder le produit au moins à 13 cm (5 pouces) de distance des appareils électriques qui peuvent générer un fort champ magnétique comme une télévision, un réfrigérateur, un moteur, ou un important haut-parleur.

Do not place heavy objects on top of the computer as this may damage the display.

[FR] Ne pas placer d'objets lourds sur le dessus de l'ordinateur cela peut endommager l'écran.

The screen surface can be easily scratched. Use with care. Do not use paper towels to clean the display but use the included cleaning cloth. Avoid touching it with a pen or pencil.

[FR] La surface de l'écran peut être facilement rayée. Utiliser avec précaution. Ne pas utiliser de serviette en papier pour nettoyer l'écran mais utiliser le chiffon de nettoyage inclus. Éviter de toucher avec un stylo ou un crayon.

To maximize the life of the backlight in the display, allow backlight to automatically turn off as a result of power management. Avoid using a screen saver or other software that prevents the power management from working.

[FR] Pour maximiser la durée de vie du rétroéclairage de l'écran, autoriser le rétroéclairage résultant de la gestion de l'alimentation. Éviter d'utiliser un économiseur d'écran ou un autre logiciel empêchant la gestion de l'alimentation de fonctionner.



Cleaning Guideline Guide de nettoyage

Use a soft cloth moistened with water or a non-alkaline detergent to wipe the exterior of the product.

[FR] Utiliser un chiffon doux humidifié avec de l'eau ou un détergent non alcalin pour essuyer l'extérieur du produit.

Gently wipe the display with a soft, lint-free cloth. Do not use alcohol or detergent on the product.

[FR] Essuyer délicatement l'écran avec un chiffon doux non pelucheux. Ne pas utiliser d'alcool ou un détergent sur le produit.



Touchscreen Guideline Guide de l'écran tactile

Use your finger or the stylus on the display. Using sharp or metallic object may cause scratches and damage the display, thereby causing errors.

[FR] Utiliser votre doigt ou le stylet sur l'écran. L'utilisation d'un objet pointu ou métallique peut provoquer des rayures.

Use a soft cloth to remove dirt on the display. The touchscreen surface has a special protective coating that prevents dirt from sticking to it. Not using a soft cloth may cause damage to the special protective coating on the touchscreen surface. To clean off hard to remove dirt, blow some steam on the particular area and gently wipe away using a soft cloth.

[FR] Utiliser un chiffon doux pour enlever la poussière sur l'écran. La surface de l'écran tactile a un revêtement protecteur spécial empêchant la saleté de se coller à lui. Ne pas utiliser un chiffon doux peut endommager le revêtement spécial sur la surface de l'écran tactile. Pour nettoyer les saletés plus difficiles à enlever, souffler de la buée sur la zone particulière et essuyer doucement avec un chiffon doux.

Do not use excessive force on the display. Avoid placing objects on top of the display as this may cause the glass to break.

[FR] Ne pas utiliser une force excessive sur l'écran. Éviter de placer des objets au dessus de l'écran cela pourrait provoquer une cassure du verre.

When there is a noticeable discrepancy in the operation of the touchscreen function (your touch does not correlate to the proper location on the screen), recalibrate the touchscreen display.

[FR] Lorsqu'il y a un écart sensible dans le fonctionnement de l'écran tactile (votre contact ne correspond pas à la bonne position sur l'écran), recalibrer l'écran tactile.

Copyright Notice

No part of this document may be reproduced, copied, translated, or transmitted in any form or by any means, electronic or mechanical, for any purpose, without the prior written permission of the original manufacturer.

Trademark Acknowledgement

Brand and product names are trademarks or registered trademarks of their respective owners.

Disclaimer

Winmate Inc. reserve the right to make changes, without notice, to any product, including circuits and/or software described or contained in this manual in order to improve design and/or performance. We assume no responsibility or liability for the use of the described product(s) conveys no license or title under any patent, copyright, or masks work rights to these products, and make no representations or warranties that these products are free from patent, copyright, or mask work right infringement, unless otherwise specified. Applications that are described in this manual are for illustration purposes only. We make no representation or guarantee that such application will be suitable for the specified use without further testing or modification.

1. Overview

Congratulations on purchasing Winmate L156 Series Rugged Laptop.

Winmate Rugged Laptop features with

- 13th generation Intel® Processor Family – Raptor Lake Processor
- 15.6" FHD Panel resolution with PCAP touch
- Dual battery with hot-swappable design for whole-day-work
- Anti-glare technology for sunlight readability
- Magnesium alloy enclosure with double injection for drop protection
- IP65 waterproof and dustproof

2. Package Content

Carefully remove the box and unpack your device. Please check if all the items listed below are inside your package. If any of these items are missing or damaged contact us immediately.

Factory shipment list:



- **Rugged Laptop**

Varies by product specifications



- **Quick Start Guide (Hardcopy)**

Part No. 91521110110P



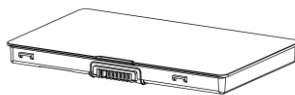
- **Adapter**

Part No. 9220A230A059
9220A17120P1 vary from sku



- **Power Cord**

Varies by country



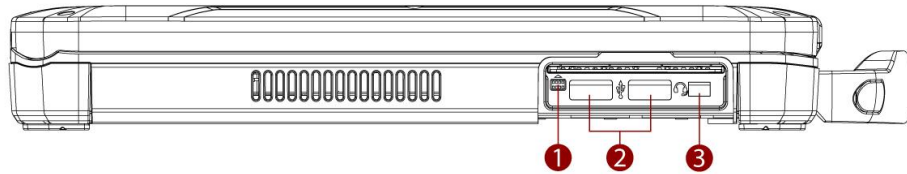
- **Standard Batteries x 2**

Part No. 3200000002L

3. Product Overview

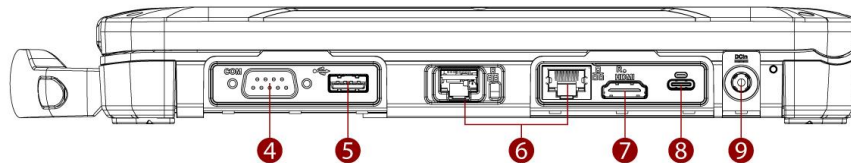
This section contains mechanical drawing of the L140 Series Rugged Laptop. Notice that this is a simplified drawing and some components are not marked in detail.

Right-side Components



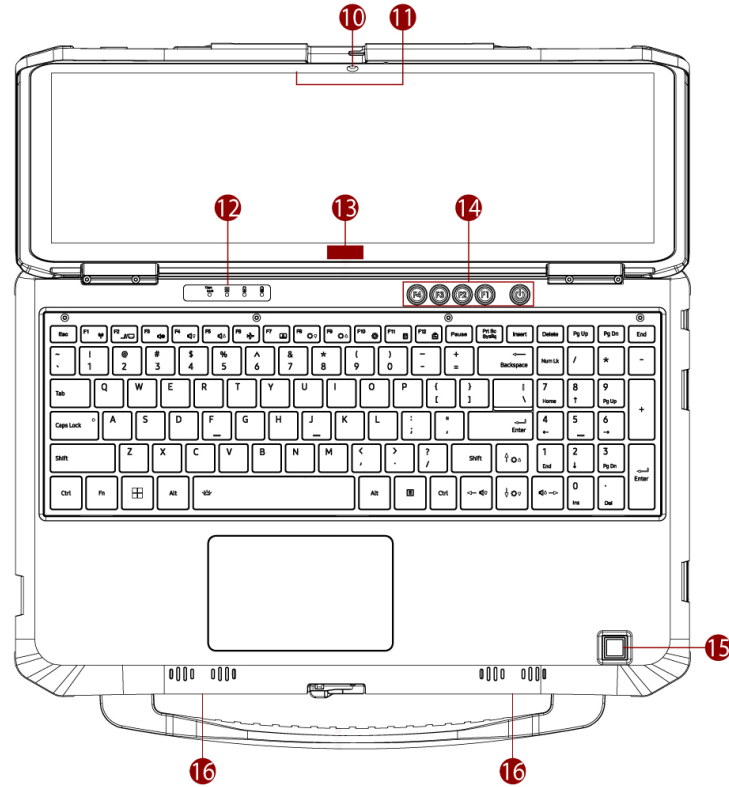
No	Item	Description
1	Smart Card Reader	To read and write data to a smart card
2	USB type-A	USB 3.0 port connects to USB devices, such as USB flash drive, mouse, keyboard, printer, etc.
3	Audio Jack	Connects a set of headphones or headset. (Mic is only supported with 3.5mm 4-pin headset).

Left-side Components







No	Item	Description
4	RS232/ RS422/ RS485	Interface that enables the connection of a serial device to a computer, software switchable.
5	USB Type-A	USB 3.0 port connects to USB devices, such as USB flash drive, mouse, keyboard, printer, etc.
6	RJ45	Connects the LAN cable.
7	HDMI	Connects a HDMI monitor or TV set.
8	USB type-C	High speed USB port connects to USB devices, such as USB flash drive, mouse, keyboard, printer, etc.
9	Power Jack	DC Power Input Jack

Top-open Components

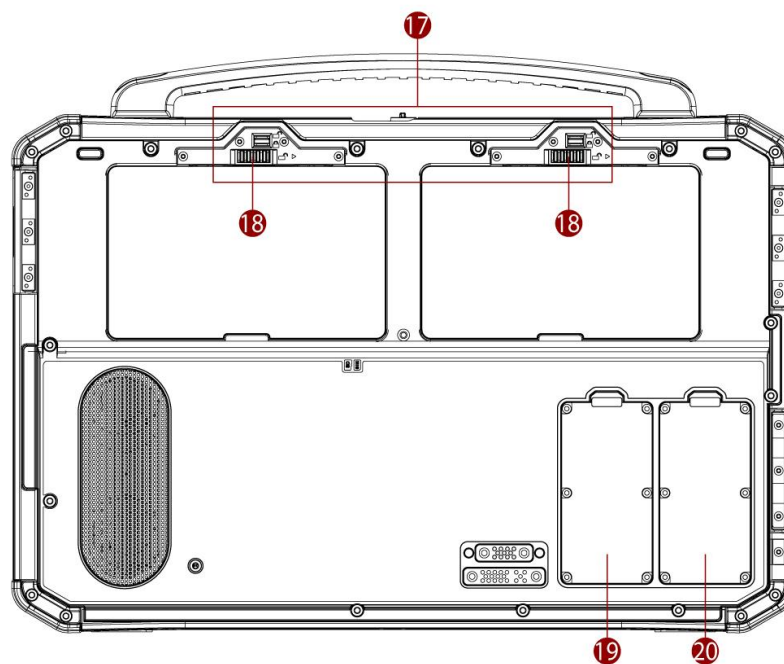


No	Item	Description
10	Front Camera	2 Megapixel Webcam.
11	Microphone	Enable audio recording for communications, music vocals, speech, and sound recording.
12	LED Indicators	Show the current status of the power, hard disc and batteries.
13	HF RFID Reader (Optional)	Reads data from HF RFID tags.
14	Physical Buttons	4x Programmable function keys, and power button.
15	Fingerprint Scanner (Optional)	Serves as the fingerprint verification, preventing unauthorized access.
16	Speakers	Offer audio output

LED Indicators

Icon	Indicator	Description
	Power Indicator	Blue – Laptop is ON No light – Laptop is OFF
	Drive Indicator	Green - Disk is active No light - Disk is idling
 	Battery Status	Orange - AC adapter is plugged in and charging Green - AC adapter is plugged in and the battery is fully charged Solid Red - Low battery (<10%) Blinking Red - Battery is hot-swapped. No light - Battery is in use, and more than 10%

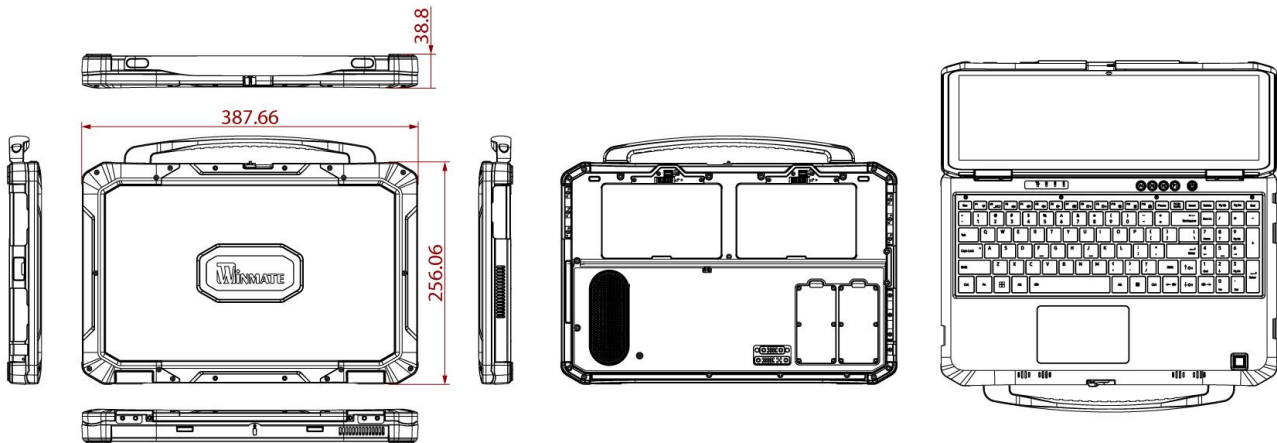
Bottom Components



No	Item	Description
17	Battery Latch	To eject the battery, for replacing battery.
18	Battery Lock	To securely enable the battery.
19	RAM Slot	To allow RAM to be inserted into the device.
20	M.2 Slot for 2nd SSD	Contains the slot for the 2nd SSD. CAUTION: This device is not designed for hot-swapping. Do not remove it without turning off the system first.

4. Mechanical Dimension

Unit: mm



5. Hardware Installation

5.1 Installing a Micro SD Card

Your laptop supports up to 2TB additional storage with an optional microSD card slot.

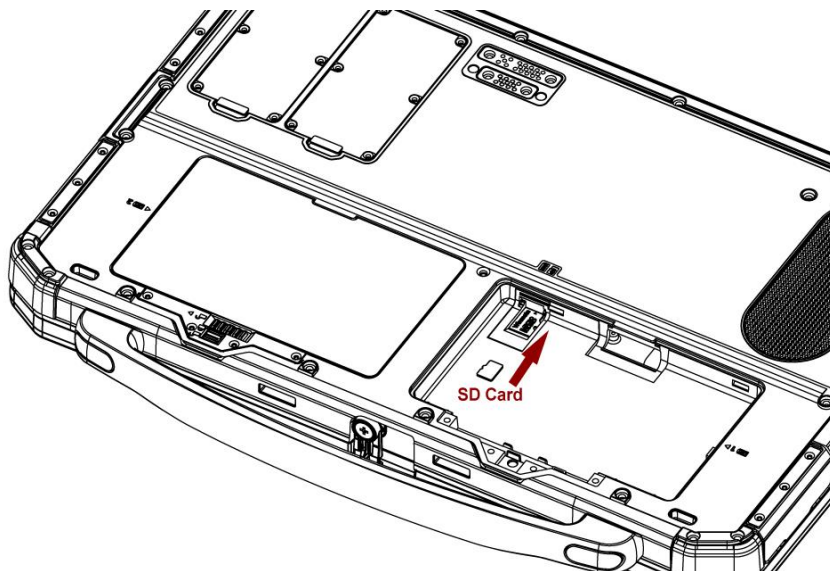


Important:



- Do not remove or insert the microSD card until Windows has completed loading.
- Do not remove the card or turn off the computer in the following cases, otherwise the data may be corrupted.
 - While the computer is in sleep.
 - While data is being read from or written to the card.
 - Immediately after the writing operation, this computer may still continue to access to the card. If you remove the card before the operation is completed, the data may be damaged or the card access may no longer be performed normally.
- Note that Winmate assumes absolutely no liability for any loss of data recorded by the user, or any other damages, direct or indirect.
- Keep microSD cards away from infants and small children.

To insert the Micro SD Card:

1. Remove the right battery, as described in section 1.6.1 *Installing and Removing the Battery*.
2. Insert microSD card into slot with contacts facing down.
3. Press the card in to ensure that it is seated properly.
4. Put the battery back.




To remove Micro SD Card:

1. Save the data and close all applications.
2. Disable the card: click  on the task tray, then click . Select the card.



Note:

This step is unnecessary when the computer is off, or,  is not displayed, or the card does not appear in the list.

3. Remove the right battery, as described in section *1.6.1 Installing and Removing the Battery*.
4. Push and release the microSD card to unlock it.
5. Pull out the microSD card.
6. Put the battery back.

6. Battery

6.1 Installing and Removing the Batteries

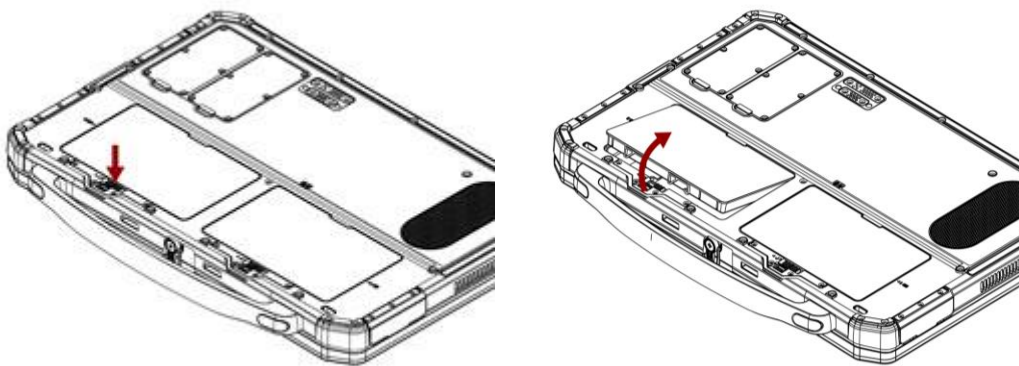


Important:

- The battery pack is not charged when you first purchase it. Be sure to charge it before using for the first time. Charging starts automatically when the AC adaptor is connected to the computer.
- Use only the specified battery pack with your computer.
- If the computer is wet, wipe them off and open the cover. Make sure to dry off the computer, replace/remove the battery pack.
- Battery (Replaceable Type, lithium and other types): Lithium batteries or other types, if placed in operator access area, have the following markings (or the equivalent), either provided next to the batteries or in both operator and service manual. If the batteries are placed elsewhere, then the markings are either provided next to the batteries or in service manual.
- Caution risk of explosion if battery is replaced by an incorrect type.
Dispose of used batteries according to the instructions.
ATTENTION IL Y A RISQUE D'EXPLOSION SI LA BATTERIE EST REMPLACÉE PAR UNE BATTERIE DE TYPE INCORRECT.METTRE AU REBUT LES BATTERIES USAGÉES CONFORMÉMENT AUX INSTRUCTIONS

To install the standard battery pack:

1. Disconnect any cords connected to the computer.
2. Turn the laptop over, bottom part is facing up. Make sure no foreign objects are under the computer.
3. Locate the Battery Lock Latch and push it to the “Unlock” position.
4. Insert the battery with the connector-pins side first, and then lower the battery into the battery compartment.
5. Push completely until the battery locks into place.
6. Slide the battery latch to the lock position to secure the battery.
7. Repeat step 3 to 6 to insert the second battery.



To remove the battery pack:

1. Shut down the laptop (or put into sleep mode). Disconnect any cords connected to the computer.
2. Turn the laptop over, bottom part is facing up. Make sure no foreign objects are under the computer.
3. Locate the Battery Lock Latch and push it to the “Unlock” position.
4. Locate the Battery Release Slider that is spring-loaded. Pull back and hold.
5. Lift the battery out using the opening on the side of the battery compartment.
6. Repeat step 3 to 5 to insert the second battery.



Important:

- When hot-swapping the battery, check which battery needs to be replaced, then change it quickly.
- Make sure the latches are securely locked, otherwise the battery pack may fall when you carry the computer.
- Do not remove the battery pack forcibly when the latches are locked. Doing so may damage the battery pack.

6.2 Important Battery Tips

The battery performance is normally deteriorated over time. But the deterioration can be accelerated due to the battery is used, charged, or stored in a place with high temperature or repeatedly charged.


To reduce the deterioration and ensure longer battery life, you must reduce the number of charges and ensure that the temperature inside the battery does not become too high. If battery deteriorates, be sure to replace with a new and specified battery pack.


- Do not charge the battery inside a vehicle with all its windows closed and exposed to the hot sun or in other high temperature places. Charge the battery in a temperature range of 10 °C to 30 °C (50 °F to 86 °F).
- Recharge the battery no more than once a day or hot-swap the battery when one of the remaining charges drops to <10%.
- Charge the battery when the computer is powered off to keep the temperature inside the battery.

7. Turning On/Off

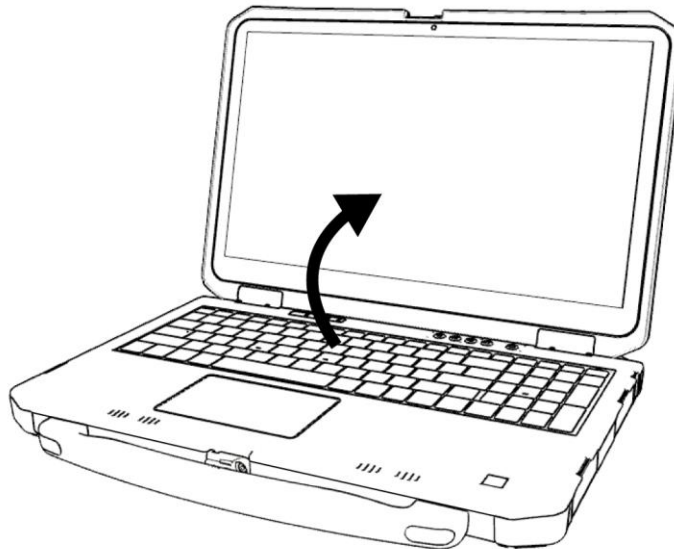
7.1 Turning On the Computer


**Note:**

- Do not press the power switch  repeatedly.
- The computer will forcibly be turned off if you press and hold the power switch for ten seconds or longer.
- Once you turn off the computer, wait for ten seconds or more before you turn on the computer again.

- Do not perform the following operation until the drive indicator  turns off.
 - Connecting or disconnecting the AC adaptor
 - Pressing the power switch
 - Touching the keyboard, touchpad, touchscreen or external mouse.
 - Closing the display.

1. Open the top cover by pushing the cover latch and lifting up the cover.



2. Press the power button  in the keyboard or physical buttons. The Windows operating system should start.

7.2 Turning Off the Rugged Laptop




Important:

- Do not perform the following operations
 - Touch the keyboard, touchpad, touchscreen, or external mouse.
 - Pressing power switch.
 - Connect or disconnect the AC adaptor.
 - Close the display

You can shut down your laptop by Click  **Start** →  **Power** → **Shut down**.

To turn off the laptop completely, follows:

1. Click  **Start** → **Setting** → **Update & Security** → **Recovery**.
2. Click **Restart Now**.
3. Click **Turn off your PC**.



Note:

- Save your files before performing this option to prevent loss of important data.
- To conserve power, the following power saving methods are set at the time of purchase.
 - The screen automatically turns off after:
 - 10 minutes (when AC adaptor is connected) of inactivity
 - 4 minutes (when on battery power) of inactivity
 - The computer automatically enters sleep after:
 - 10 minutes (when AC adaptor is connected) of inactivity
 - 4 minutes (when on battery power) of inactivity

Appendix

Appendix A: Declaration of Conformity (DoC)

FCC-B Radio Frequency Interference Statement



This equipment has been tested and found to comply with the limits for a Class B digital device, pursuant to part 15 of the FCC rules.

These limits are designed to provide reasonable protection against harmful interference in a residential installation.

This equipment generates, uses and radiates radio frequency energy, and, if not installed and used in accordance with the instructions, may cause harmful interference to radio communications. However, there is no guarantee that interference will not occur in a particular installation. If this equipment does cause harmful interference to radio or television reception, which can be determined by turning the equipment off and on, the user is encouraged to try to correct the interference by one or more of the following measures:

- Reorient or relocate the receiving antenna.
- Increase the separation between the equipment and receiver.
- Connect the equipment into an outlet on a circuit different from that to which the receiver is connected.

Note:

- The changes or modifications not expressly approved by the party responsible for compliance could void the user's authority to operate the equipment.
- Shield interface cables and AC power cord, if any, must be used in order to comply with the emission limits.

FCC Conditions

This device complies with part 15 of the FCC Rules. Operation is subject to the following two conditions:

- This device may not cause harmful interference.
- This device must accept any interference received, including interference that may cause undesired operation.

CE Notice (European Union)

This equipment is in conformity with the requirement of the following EU legislations and harmonized standards. Product also complies with the Council directions.



Electromagnetic Compatibility Directive (2014/30/EU)

- EN 55035: 2017/A11: 2020
 - IEC61000-4-2: 2008
 - IEC61000-4-3: 2020
 - IEC61000-4-4: 2012
 - IEC61000-4-5: 2014/A1:2017
 - IEC61000-4-6: 2013+COR1:2015
 - IEC61000-4-8: 2009
 - IEC61000-4-11:2020

- EN 55032: 2015+A11:2020
- EN 61000-3-2: 2019+A1:2021
- EN 61000-3-3: 2013+A2:2021

Low Voltage Directive (2014/35/EU)

- EN 62368-1:2014 + A11:2017

Battery Regulations



European Union: Batteries, battery packs, and accumulators should not be disposed of as unsorted household waste. Please use the public collection system to return, recycle, or treat them in compliance with the local regulations.



廢電池請回收

Taiwan: For better environmental protection, waste batteries should be collected separately for recycling or special disposal.

California, USA: The button cell battery may contain perchlorate material and requires special handling when recycled or disposed of in California.

For further information please visit: <http://www.dtsc.ca.gov/hazardouswaste/perchlorate/>

Safety Guideline for Using Lithium Battery

Danger of explosion if battery is incorrectly replaced. Replace only with the same or equivalent type recommended by the equipment manufacturer. Discard used batteries according to manufacturer's instructions.

WEEE Statement



European Union: Under the European Union ("EU") Directive on Waste Electrical and Electronic Equipment, Directive 2002/96/EC, which takes effect on August 13, 2005, products of "electrical and electronic equipment" cannot be discarded as municipal waste anymore and manufacturers of covered electronic equipment will be obligated to take back such products at the end of their useful life.

Chemical Substances Information

In compliance with chemical substances regulations, such as the EU REACH Regulation (Regulation EC No. 1907/2006 of the European Parliament and the Council).

CAUTION

- Do not stare at operating lamp. May be harmful to the eyes.
Ne pas regarder fixement la lampe. Peut être dange`reux pour les yeux.
- This equipment is not suitable for use in locations where children are likely to be present.
Cet équipement ne convient pas à une utilisation dans des lieux susceptibles d'accueillir des enfants

Winmate Inc.
9F, No.111-6, Shing-De Rd., San-Chung District,
New Taipei City 24158, Taiwan, R.O.C
www.winmate.com

Copyright © 2024 Winmate Inc. All rights reserved.

